

(No Model.)

3 Sheets—Sheet 1.

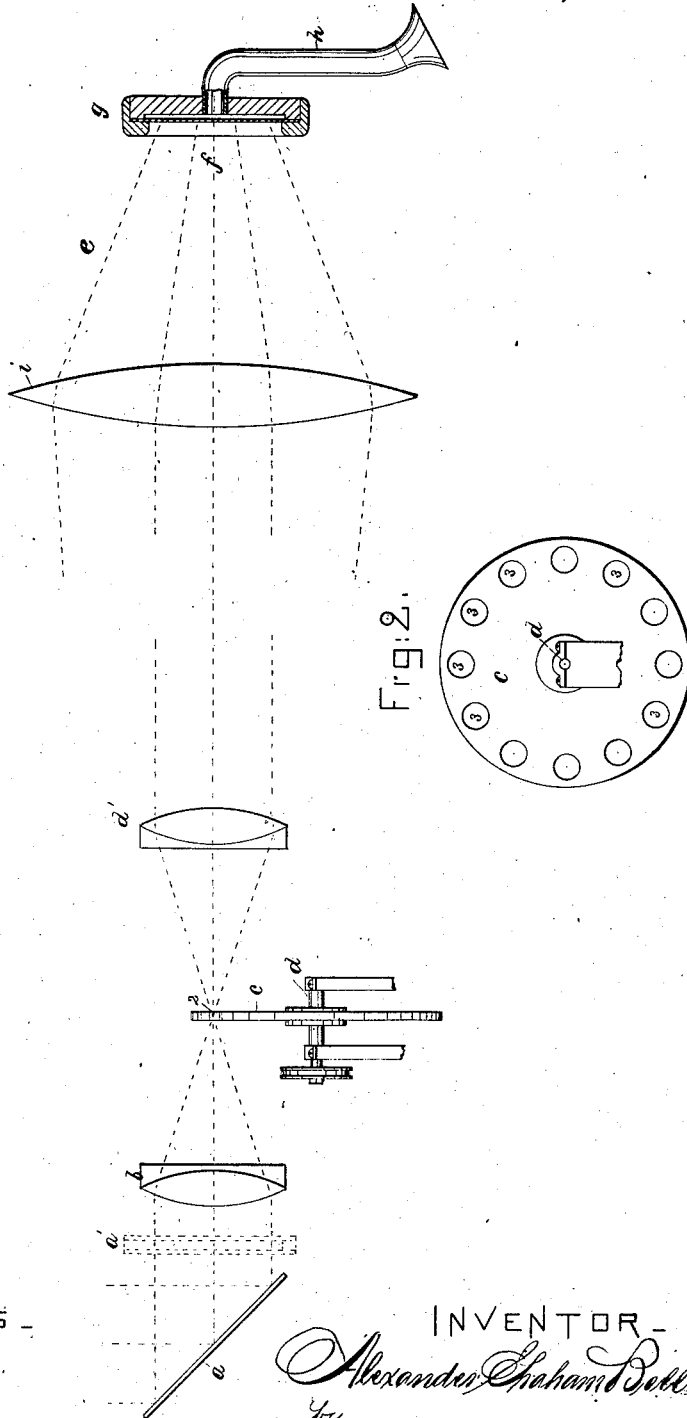
A. G. BELL.  
Apparatus for Signaling and Communicating, called  
Photophone.

No. 235,199.

Patented Dec. 7, 1880.

Fig. 1.

Fig. 2.



WITNESSES -  
*A. E. Whitney*  
*W. D. Dearborn*

INVENTOR -  
*Alexander Graham Bell*  
Crosby & Gregory atty