

DEPARTMENT OF THE INTERIOR,
CENSUS OFFICE.

ROBERT P. PORTER,
Superintendent.

Appointed April 20, 1889; resigned July 31, 1893.

CARROLL D. WRIGHT,
Commissioner of Labor in charge.
Appointed October 5, 1893.

REPORT

ON

CRIME, PAUPERISM, AND BENEVOLENCE

IN

THE UNITED STATES

AT THE

ELEVENTH CENSUS: 1890.

PART I.

ANALYSIS.

BUREAU OF THE CENSUS

LIBRARY

FREDERICK H. WINES,

SPECIAL AGENT.



WASHINGTON, D. C.:
GOVERNMENT PRINTING OFFICE.

1896.

3413 E

CONTENTS—PART I.

Letter of transmittal of the Commissioner of Labor in charge to the Secretary of the Interior.....	Page vii
General observations.....	1
Method of the investigation.....	1, 2
Plan of the report.....	2, 3

INMATES OF ALL INSTITUTIONS.

Color, nativity, and race.....	7, 8
Ratios to the population.....	8-11
Increase or decrease.....	11
Geographical distribution.....	12-14
Sex.....	15
Color and race.....	16
Nativity of white inmates.....	17
Offenses charged.....	17-24
Parentage of white inmates.....	24-41
Naturalization.....	41-43
Ability to speak English.....	44, 45
Age.....	45-60
Marital relations.....	61-63
Literacy and illiteracy.....	64-66
Trade education.....	67-69
Occupations prior to admission.....	70-73
Condition as to employment at time of arrest.....	73-75
Occupations in institutions.....	75-79
Habits with respect to the use of ardent spirits.....	79-81
Legal residence.....	82-84
Health.....	85-88
Sentences for crime.....	88-101
Married, widowed, or divorced mothers.....	102
Length of residence of foreign male inmates of almshouses and benevolent institutions.....	103
Assigned causes of pauperism and dependence.....	103-108
Mode of support in institutions.....	108-110
Relatives in the institution.....	110, 111
Children under instruction in the institution or in the public schools.....	112, 113
Children abandoned by their parents.....	114
Illegitimate children.....	114
Children born in the institution.....	114
Able-bodied.....	114-116
Orphan children in institutions.....	116, 117
Children surrendered.....	118, 119
Foundlings.....	120

PRISONERS.

Color, nativity, and race.....	123
Ratios to the population.....	123-126
Increase or decrease.....	126, 127
Geographical distribution.....	128
Sex.....	128
Color and race.....	129
Nativity of white prisoners.....	129
Classification of prisons.....	130-138
Offenses charged.....	139-144
Parentage of white prisoners.....	144-150
Naturalization.....	151
Ability to speak English.....	152-154
Age.....	155-167

	Page.
Marital relations	168-170
Literacy and illiteracy	171-173
Advanced education	174-176
Trade education	177-179
Occupations prior to arrest	180-183
Condition as to employment at time of arrest	183-185
Occupations in prisons	185-189
Habits with respect to the use of ardent spirits	190-192
Legal residence	193-195
Health	196-198
Soldiers, sailors, and marines	198
Recidivists	198, 199
Federal prisoners	199
Sentences for crime	199-207

JUVENILE OFFENDERS.

Color, nativity, and race	211
Ratios to the population	211, 212
Increase or decrease	213
Geographical distribution	213
Sex	213
Color and race	214
Nativity of white offenders	214
List of reformatories	214
Offenses charged	215-217
Parentage of white offenders	218-223
Ability to speak English	224-226
Age	226-235
Marital relations	235-237
Literacy and illiteracy	238-240
Trade education	241-243
Condition as to employment at time of arrest	244-246
Occupations in institutions	247, 248
Habits with respect to the use of ardent spirits	249-251
Legal residence	252-254
Health	255-257
Sentences for crime	257-263

PAUPERS IN ALMSHOUSES.

Color, nativity, and race	267
Ratios to the population	267-270
Increase or decrease	270, 271
Geographical distribution	272
Sex	272
Color and race	273
Nativity of white paupers	273
Paupers in each almshouse	273
Parentage of white paupers	274-277
Naturalization	278
Ability to speak English	278-280
Age	281-290
Marital relations	291, 292
Literacy and illiteracy	293, 294
Legal residence	295, 296
Health	297-299
Married, widowed, or divorced mothers	299, 300
Length of residence of foreign male paupers in almshouses	300
Occupations prior to admission	301, 302
Assigned causes of pauperism	302-305
Mode of support in almshouses	306, 307
Relatives in the institution	308
Children under instruction in the institution or in the public schools	308, 309
Children abandoned by their parents	310
Illegitimate children	310
Children born in the institution	310
Able-bodied	311
Orphan children in almshouses	311, 312
Children surrendered	313, 314
Foundlings	314

CONTENTS—PART I.

v

INMATES OF BENEVOLENT INSTITUTIONS.

	Page.
Color, nativity, and race.....	317-320
Ratios to the population.....	321, 322
Geographical distribution.....	322
Sex.....	323
Color and race.....	323
Nativity of white inmates.....	324
List of institutions.....	324
Parentage of white inmates.....	324-331
Naturalization.....	332
Ability to speak English.....	333, 334
Age.....	335-343
Marital relations.....	344, 345
Literacy and illiteracy.....	346-348
Legal residence.....	348, 349
Health.....	350-352
Married, widowed, or divorced mothers.....	352
Length of residence of foreign male inmates of benevolent institutions.....	353
Occupations prior to admission.....	354, 355
Assigned causes of dependence.....	355-358
Mode of support in institutions.....	359, 360
Relatives in the institution.....	361
Able-bodied.....	362
Children under instruction in the institution or in the public schools.....	363, 364
Children abandoned by their parents.....	365
Illegitimate children.....	365
Children born in the institution.....	365
Orphan children in benevolent institutions.....	366, 367
Children surrendered.....	368, 369
Foundlings.....	369

APPENDIX.

Possible and actual penalties for crime.....	373-411
--	---------

ILLUSTRATIONS—PART I.

	Page
PLATE 1. —Classification of prisoners, juvenile offenders, paupers in almshouses, paupers in asylums for the insane, and inmates of benevolent institutions, by general nativity and color.....	7
PLATE 2. —Classification of prisoners, juvenile offenders, paupers in almshouses, and inmates of benevolent institutions, by sex and ages.....	56
CHART. —Birthplaces of fathers and mothers of white prisoners, juvenile offenders, paupers in almshouses, and inmates of benevolent institutions combined, showing the admixture of blood resulting from the marital union of parents of different nationalities.....	38

LETTER OF TRANSMITTAL.

DEPARTMENT OF THE INTERIOR,
CENSUS OFFICE,
WASHINGTON, D. C., December 1, 1894.

SIR:

I have the honor to transmit herewith Part I of the Report on Crime, Pauperism, and Benevolence at the Eleventh Census, giving the analysis of the general tables shown in Part II, prepared by Mr. Frederick H. Wines, special agent.

The entire report treats of prisons, juvenile reformatories, almshouses, and benevolent institutions, together with insane paupers in institutions for the insane.

I am, very respectfully, your obedient servant,

CARROLL D. WRIGHT,
Commissioner of Labor in charge.

Hon. HOKE SMITH,
Secretary of the Interior.

ANALYSIS

OF

STATISTICS OF CRIME, PAUPERISM, AND BENEVOLENCE.

GENERAL OBSERVATIONS.

The number of persons covered in this report is 340,996, namely: prisoners, 82,329; juvenile offenders, 14,846; paupers in almshouses, 73,045; inmates of benevolent institutions, 111,910; insane paupers in hospitals and asylums for the insane, 58,866. Concerning the insane paupers, no information is given other than their classification by sex, color, nativity, race, and by the institutions in which they were found. (See Table 264.)

METHOD OF THE INVESTIGATION.

The original data for the tables relating to prisoners, juvenile offenders, paupers in almshouses, and inmates of benevolent institutions were obtained through the census enumerators June 1, 1890, by means of special schedules, of which two were prepared, one for prisons and reformatories, the other for almshouses and benevolent institutions. Upon the first page of each were entered questions applicable to all persons enumerated; the second page of each contained special questions applicable to inmates of these classes of institutions. (a)

All of the persons covered by this report are inmates of institutions. (b) The enumerators returned the names of 24,220 outdoor paupers. But, in planning the work to be attempted in the Eleventh Census, it was decided to be impracticable to obtain complete and accurate information concerning this class. They are therefore entirely omitted from the statements contained in the tables of figures herewith submitted.

It should also be said, to avoid misunderstanding, that not all the inmates of benevolent institutions, so called, are objects of charity or have any direct or indirect connection with the pauper class. Many institutions, such as hospitals, receive pay patients; they are designed for use by the wealthy as well as by the poor. But it was practically impossible to make a list of institutions which should clearly distinguish between those wholly charitable, those partially charitable, and those conducted for profit (c), or at least on a self-supporting basis, and

a That the method pursued may be fully understood, the questions asked are here reproduced:

Special schedule for prisons and reformatory institutions:

First page. (1) Name. (2) Whether a soldier, sailor, or marine during the civil war (United States or Confederate) or widow of such person. (3) Relationship to head of family. (4) Whether white, black, mulatto, quadroon, octoroon, Chinese, Japanese, or Indian. (5) Sex. (6) Age at nearest birthday; if under 1 year, give age in months. (7) Whether single, married, widowed, or divorced. (8) Whether married during the census year (June 1, 1889, to May 31, 1890). (9) If a female, mother of how many children; number of these children living. (10) Place of birth. (11) Place of birth of father. (12) Place of birth of mother. (13) Number of years in the United States. (14) Whether naturalized. (15) Whether naturalization papers have been taken out. (16) Profession, trade, or occupation. (17) Months unemployed during the census year (June 1, 1889, to May 31, 1890). (18) Attendance at school (in months) during the census year (June 1, 1889, to May 31, 1890). (19) Able to read. (20) Able to write. (21) Able to speak English; if not, the language or dialect spoken. (22) Whether suffering from acute or chronic disease, with name of disease and length of time afflicted. (23) Insane. (24) Idiotic. (25) Deaf-mute. (26) Blind. (27) Crippled, maimed, or deformed.

Second page. (28) Court in which arraigned or convicted. (29) Whether a Federal prisoner. (30) Offense charged. (31) to (33) Date of incarceration: month, day of month, year. (34) Age when committed. (35) to (37) Sentence of imprisonment: years, months, days. (38) to (40) Possible reduction under good time laws: years, months, days. (41) Fine imposed, if any. (42) Rate per day, in cents. (43) Residence when at home. (44) Whether known to be a recidivist (habitual offender). (45) Number of known prior commitments to this prison. (46) Number of known prior commitments to some other prison. (47) Habits in respect of use of stimulants and narcotics. (48) Special higher education. (49) Whether ever apprenticed to learn a trade. (50) Whether a journeyman or master mechanic. (51) Employment, if any, at time of arrest. (52) Employment in prison. (53) Whether employed on contract, piece price, or public account. (54) to (61) Why imprisoned. (54) Awaiting trial. (55) Serving term of imprisonment. (56) Serving out fine. (57) Awaiting execution. (58) Awaiting removal to higher prison. (59) Held as witness. (60) For debt. (61) For insanity.

Special schedule for almshouses and benevolent institutions:

First page. Same as first page of special schedule for prisons and reformatory institutions.

Second page. (28) When admitted to this institution. (29) Whether able-bodied. (30) to (43) Cause of admission or retention. (30) Insanity. (31) Idiocy. (32) Tramp. (33) Habitual drunkard. (34) Old and infirm. (35) Bedridden. (36) Deformed. (37) Crippled. (38) Epileptic. (39) Paralytic. (40) Syphilitic. (41) Rheumatic. (42) Lying-in case. (43) No other home. (44) to (48) How supported. (44) At cost of state. (45) At cost of county. (46) At cost of city or town. (47) At cost of friends. (48) At cost of this institution. (49) Charge per week for board, etc. (50) Residence when at home. (51) to (60) Questions relating only to children under 16 years. (51) Whether born in this institution. (52) Whether illegitimate. (53) Whether a foundling. (54) Whether an orphan. (55) Has this child a father living? (56) Has this child a mother living? (57) Whether abandoned by parents. (58) Whether surrendered to this institution. (59) Whether taught in this institution. (60) Whether taught in public schools. (61) Whether this person has a father who is now an inmate of this institution. (62) Whether this person has a mother who is now an inmate of this institution. (63) Whether this person has a husband who is now an inmate of this institution. (64) Whether this person has a wife who is now an inmate of this institution. (65) Whether this person has any brothers who are now inmates of this institution. (66) Whether this person has any sisters who are now inmates of this institution. (67) Whether this person has any sons who are now inmates of this institution. (68) Whether this person has any daughters who are now inmates of this institution. (69) Whether this person has any grandchildren who are now inmates of this institution.

b Including those working in camps, mines, and on public works under judicial sentence.

c The attempt was made to expunge sanitariums and infirmaries which are private property and conducted for pecuniary profit.

equally impossible to eliminate from the lists of inmates of institutions those not maintained by the gifts of the charitable. A benevolent purpose underlies nearly all of the institutions reported; nearly all of them depend mainly upon contributions for their continued existence and usefulness, and the great mass of their beneficiaries are cared for without charge to themselves or their friends. But the characterization of all of them, without exception, as benevolent, would be an error, and this fact should be borne in mind by the reader.

PLAN OF THE REPORT.

Of the 336 tables herewith submitted, 131 relate to prisoners; 66 to juvenile offenders; 66 to paupers in almshouses; 3 to insane paupers in hospitals and asylums for the insane; 69 to inmates of benevolent institutions, and 1 to police statistics.

The tables relating to prisoners fill 511 pages; the tables relating to juvenile offenders fill 136 pages; those relating to paupers in almshouses fill 222 pages; those relating to insane paupers in hospitals and asylums for the insane, 6 pages, and those relating to the inmates of benevolent institutions, 146 pages. The tables relating to prisoners occupy about one-half the space covered.

The smaller space occupied by the remaining classes is due to two circumstances: for the prisoners and juvenile offenders three analyses have been maintained throughout the entire series of tables, of which the first is by states and territories or by geographical divisions; the second, by sex, color, nativity, and race; and the third, by crimes or offenses charged. For paupers in almshouses and inmates of benevolent institutions the analysis by crimes was inapplicable, and the analysis by states and territories was not carried through so many tables as for prisoners, in order to economize time and expense.

The general arrangement of the tables is as follows: for each of the classes, as far as practicable, a general statement is first made of the number by states and territories and by color, nativity, and race, for both sexes and for each sex. This is followed by a statement of the increase in the number, as compared with previous censuses. Then come lists of individual institutions, with the number of inmates in each; tables showing the nativity of parents, the condition of the foreign born as to naturalization of the men (*a*), ability to speak the English language, individual and average ages, marital relations, literacy or illiteracy, occupations prior to arrest or admission, residence in or out of the state in which the institution is situated, and condition as to health. Because of their youth, the naturalization of inmates of juvenile reformatories is not given, nor their advanced education, nor their occupations prior to admission. The average ages of inmates of benevolent institutions have not been calculated. Since prisoners and inmates of benevolent institutions may be subclassified according to the grade and special purpose of the institutions, the number of tables showing the number of inmates of prisons and benevolent institutions is larger than for classes where no such distinction exists, as in the case of almshouses and juvenile reformatories.

The special questions as to prisoners and juvenile offenders are answered in the tables in the following order: first, the offenses with which they are charged; then their advanced education and trade education; their condition as to employment at the time of arrest and their occupation while in prison; their habits as to the use of ardent spirits; whether they were soldiers, habitual offenders, or Federal prisoners, questions not applicable to juvenile offenders; the character of the sentences pronounced against them; the total duration of imprisonment prescribed by the courts, and the average sentences. With regard to the last two, no statement is made for juvenile offenders, because commitments are so generally made to continue during minority.

The use of three distinct analyses, instead of two, necessarily increases the number of resulting tables. Where the comparison is simply by states and territories and by sex, color, nativity, and race, one analysis is shown in the headings and the columns, and the other by the side titles at the left of the page; where the analysis is carried farther, separate pages must be used for the different possible combinations: for instance, for the combination of "states and territories" with "elements of the population"; of "states and territories" with "offenses charged", and of "offenses charged" with "elements of the population". (*b*)

The special questions asked with regard to paupers and inmates of benevolent institutions are answered in the tables in the following order: first, the number of women (*c*) who have borne children; then the causes of pauperism or dependence; mode of support in the institution; whether the inmates of the institution have or have

a The principal interest attaches to the naturalization of men. Women and children can be naturalized, as shown in part by the following sections of the United States Revised Statutes, second edition:

Sec. 1994. Any woman who is now or may hereafter be married to a citizen of the United States, and who might herself be lawfully naturalized, shall be deemed a citizen.

Sec. 2168. When any alien who has complied with the first condition specified in section twenty-one hundred and sixty-five dies before he is actually naturalized the widow and the children of such alien shall be considered as citizens of the United States, and shall be entitled to all rights and privileges as such, upon taking the oaths prescribed by law.

The naturalization of persons 14 years of age is indirectly recognized in the following extract:

Sec. 4067. Whenever there is a declared war between the United States and any foreign nation or government * * * all natives, citizens, denizens, or subjects of the hostile nation or government, being males of the age of fourteen years and upward, who shall be within the United States, and not actually naturalized, shall be liable to be apprehended, restrained, secured, and removed as alien enemies.

b By "elements of the population" is meant, wherever this phrase occurs in the present report, sex, color, nativity, and race, in their various possible combinations, or so many of these "elements" as may be included in any table or referred to in the text.

c Including only those reported as married, widowed, or divorced.

not relatives in the same institution; whether instruction is given in the institution or in the public schools to inmates under 16 years of age; illegitimate children; children born in the institution; able-bodied inmates; children whose parents are living; children surrendered to the institution, and foundlings.

Great care has been taken to reduce the numbers, as far as desirable and possible to ratios and percentages, in order to facilitate comparisons between the several classes.

The entire scheme of the report is shown in the following table, which will serve as a guide to analyses, combinations, and comparisons not here made. It also shows for which of the tables the numbers have been reduced to percentages. The numbers in the several columns are the numbers of the tables.

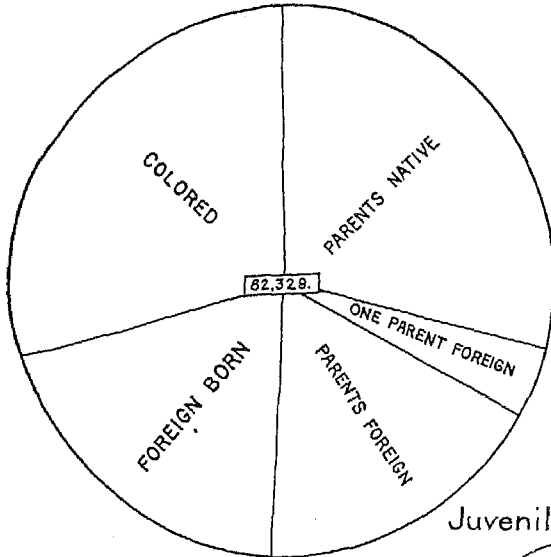
DISTRIBUTION.	PRISONS.			REFORMATORIES.			ALMSHOUSES.		BENEVOLENT INSTITUTIONS.	
	Geographical distribution.	Elements of the population.	Groups of crimes.	Geographical distribution.	Elements of the population.	Groups of crimes.	Geographical distribution.	Elements of the population.	Geographical distribution.	Elements of the population.
By color, nativity, and race.....	1-3	1-3		132-134	132-134		198-200	198-200	207-209	207-209
Institutions for children, for adults, hospitals, and miscellaneous.....							204-206	204-206	270-281	270-281
Ratios to the million.....	4	4		135			201	201		
Classified where found.....	5									
Inmates in each institution.....	6-43	6-43		136-138	136-138		202-204	202-204	282	282
Offenses charged.....	47-48	44-46	44-48	142-143	139-141	139-143				
Double crimes.....	49-50	51-52	49-52	140-147	144-145	144-147				
Cross crime table.....										
Parentage.....		54-56	57		148-150	151	208	205-207	283-286	283-286
Naturalization.....	a58	a58	a59				a209	a209	a287	a287
Speak English.....	a60	a60	a61	a152	a152	153	a210	a210	a288	a288
Individual ages.....	62-64	65-67	68-70	154-156	157-159	160-162	211-213	214-216	289-291	
Average ages.....	{ 71-73 } { 77-79 }	71-70	74-79	{ 163-165 } { 169-171 }	163-168	166-171	217-219	217-219		
Marital relations.....	a80	a80	a81	a172	a172	173	a220	a220	a292	
Literacy and illiteracy.....	a82	a82	83	a174	a174	175	a221	a221	a293	
Advanced education.....	a84	a84	85							
Trade education.....	a86	a86	87	a176	a176	177				
Occupations in free life.....	89-90		88-90				228-230	228-230	300-302	300-302
Condition as to employment.....	a91	a91	92	a178	a178	179				
Occupations in prison.....	94-95		93-95	180-182		180-182				
Habits with respect to the use of ardent spirits.....	a96	a96	97	a183	a183	184				
Residence.....	a98	a98	99	a185	a185	186	a222-224	a222-224	294-296	294-296
Health.....	a100	a100	101	a187	a187	188	a225	a225	a297	a297
Soldiers, sailors, and marines.....	102	102								
Recidivists.....	103	103								
Federal prisoners.....	104	104								
Individual sentences.....	105-107	108-110	111-113	189-191	192-194	195-197				
Total duration of imprisonment.....	114-119	{ 114-116 } { 120-122 }	117-122							
Average sentences.....	123-128	{ 123-125 } { 129-131 }	126-131							
Mothers of children.....							a226	a226	298	298
Length of residence of foreign born in the United States.....							a227	a227	299	299
Assigned causes.....							231-233	231-233	303-305	303-305
Mode of support.....							234-236	234-236	306-308	306-308
Relatives in institution.....							237-239	237-239	309-311	309-311
Children under instruction.....							240-242	240-242	315-317	315-317
Abandoned children.....							243-245	243-245	318-320	318-320
Illegitimate children.....							246-248	246-248	321-323	321-323
Children born in the institution.....							249-251	249-251	324-326	324-326
Able-bodied.....							252-254	252-254	312-314	312-314
Orphans.....							255-257	255-257	327-329	327-329
Children surrendered.....							258-260	258-260	330-332	330-332
Foundlings.....							261-263	261-263	333-335	333-335

a Percentages.

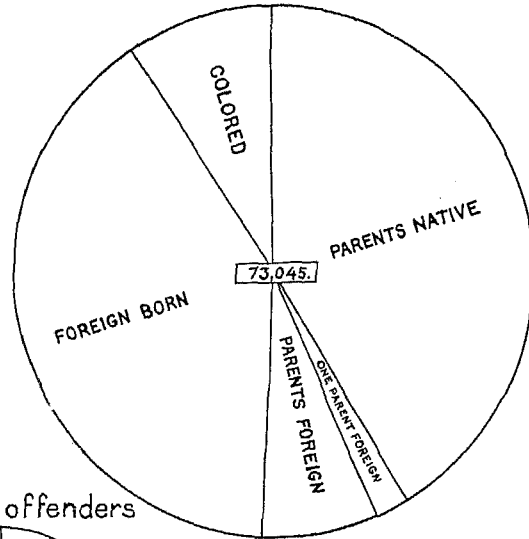
INMATES OF ALL INSTITUTIONS.

PLATE I. CLASSIFICATION BY COLOR AND NATIVITY.

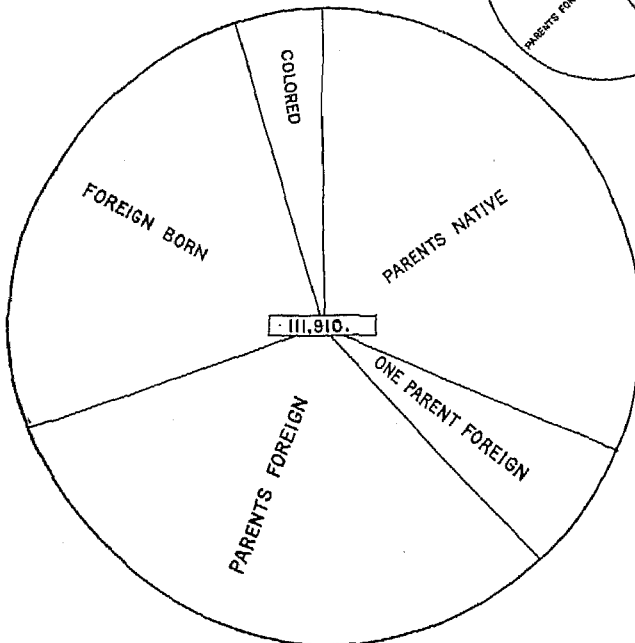
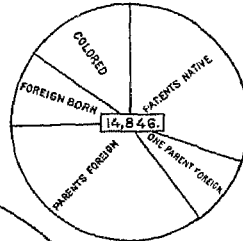
Prisoners



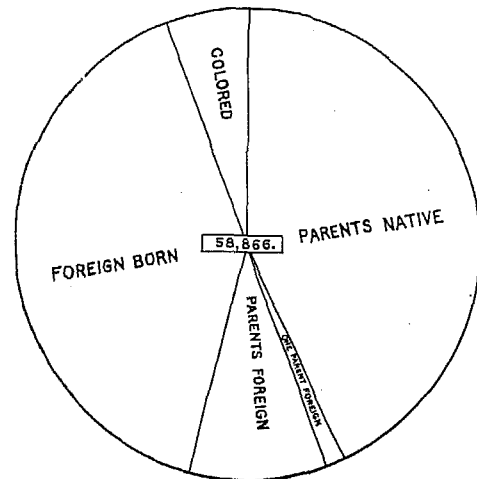
Paupers in almshouses



Juvenile offenders



Inmates of benevolent institutions



Paupers in asylums for insane

INMATES OF ALL INSTITUTIONS.

PRISONERS, JUVENILE OFFENDERS, PAUPERS IN ALMSHOUSES, AND INMATES OF BENEVOLENT INSTITUTIONS.

This general summary of results relates to those in all four classes of institutions in combination and comparison with each other. It will be followed by comments upon the tables for each class separately.

COLOR, NATIVITY, AND RACE.

Plate 1 shows the relations of color and nativity in each of the four classes of institutions and of paupers in asylums for the insane. The colored are indicated without reference to nativity, the number of foreign colored being relatively very small. The whites are divided into native and foreign. (a) The native whites are subdivided into (1) both parents native; (2) one parent foreign; (3) both parents foreign.

By color, nativity, and race, the four classes, including insane paupers in institutions for the insane, are divided as follows:

COLOR, NATIVITY, AND RACE.	Total.	Prisoners.	Juvenile offenders.	Paupers.	Inmates of benevolent institutions.	Insane paupers.
Total.....	340,096	82,329	14,846	73,045	111,910	58,866
White.....	298,680	57,310	12,003	66,578	106,836	55,053
Native born.....	190,092	40,471	11,078	39,056	70,270	31,617
Parents native.....	77,306	21,037	3,245	21,519	23,484	8,081
One parent foreign.....	10,148	2,881	963	940	5,056	299
Parents foreign.....	46,634	12,601	3,665	3,580	24,167	2,371
One or both parents unknown.....	61,894	3,952	2,905	10,008	23,563	20,866
Foreign born.....	92,065	15,932	1,405	27,048	26,322	20,758
Nativity unknown.....	10,523	907	420	2,274	4,244	2,078
Colored.....	42,316	25,019	1,943	6,467	5,074	3,813
Negroes.....	40,328	24,277	1,930	6,418	4,102	3,691
Chinese.....	646	407	1	13	41	184
Japanese.....	21	13	8
Indians.....	1,321	323	12	36	923	28

It is evident that the numbers as distributed in the preceding table do not admit of ready comparison with each other. To facilitate such comparison they should be reduced to percentages, which may be done in either of two ways, horizontally or perpendicularly. The numbers given in the first column or those in the top line may be taken as divisors. By the first of these methods we obtain the following result:

COLOR, NATIVITY, AND RACE.	Total.	Prisoners.	Juvenile offenders.	Paupers.	Inmates of benevolent institutions.	Insane paupers.
Total.....	100.00	24.14	4.36	21.42	32.82	17.26
White.....	100.00	19.19	4.32	22.29	35.77	18.43
Native born.....	100.00	20.64	5.05	18.09	38.90	16.12
Parents native.....	100.00	27.19	4.19	27.82	30.35	10.45
One parent foreign.....	100.00	28.30	0.49	9.35	49.82	2.95
Parents foreign.....	100.00	26.99	3.49	7.07	51.77	5.08
One or both parents unknown.....	100.00	6.39	4.69	17.14	38.07	33.71
Foreign born.....	100.00	17.30	1.53	30.03	28.59	22.55
Nativity unknown.....	100.00	8.62	3.99	21.61	40.33	25.45
Colored.....	100.00	59.12	4.59	15.28	11.99	9.02
Negroes.....	100.00	60.20	4.79	15.91	10.17	8.93
Chinese.....	100.00	63.00	0.16	2.01	6.85	28.48
Japanese.....	100.00	61.90	38.10
Indians.....	100.00	24.37	0.81	2.73	69.87	2.12

^a Those whose nativity is unknown have been proportionally distributed between those known to be native born and those known to be foreign born.

CRIME, PAUPERISM, AND BENEVOLENCE.

Of the white population included in these classes, the largest percentage is cared for in benevolent institutions and the smallest percentage is in prison. But if the insane paupers are combined with the paupers in almshouses, the largest percentage is included in the pauper class. Of the colored population the reverse is true: the largest percentage is in prison and the smallest in benevolent institutions.

Of the native white population, the largest percentage is cared for in benevolent institutions and the smallest percentage (counting paupers in almshouses and insane paupers together) is in prison. But of foreign whites, the largest percentage is included in the pauper class.

In other words, the benevolent institutions absorb a larger proportion of the native white population, the almshouses and hospitals for the insane a larger proportion of the foreign white population, and the prisons a larger proportion of the colored population.

By the second of the methods above named we obtain the following result:

COLOR, NATIVITY, AND RACE.	Total.	Prisoners.	Juvenile offenders.	Paupers.	Inmates of benevolent institutions.	Insane paupers.
Total.....	100.00	100.00	100.00	100.00	100.00	100.00
White.....	87.59	60.61	30.91	91.15	95.47	93.52
Native born.....	57.50	49.16	74.02	50.18	68.16	53.71
Parents native.....	22.69	25.55	21.86	29.46	20.98	13.73
One parent foreign.....	2.97	3.50	6.43	1.30	4.52	0.51
Parents foreign.....	13.69	15.31	20.71	4.90	21.60	4.03
One or both parents unknown.....	18.15	4.80	19.57	14.52	21.00	35.44
Foreign born.....	27.01	19.36	9.46	37.85	23.52	35.26
Nativity unknown.....	3.08	1.69	2.83	3.12	3.79	4.55
Colored.....	12.41	30.39	13.09	8.85	4.53	6.48
Negroes.....	11.83	29.49	13.00	8.78	3.67	6.12
Chinese.....	0.19	0.49	0.01	0.02	0.03	0.31
Japanese.....	0.01	0.02	0.01
Indians.....	0.38	0.39	0.08	0.05	0.82	0.05

These two methods are merely different roads by which we arrive at the same general conclusion. The percentage of colored inmates of benevolent institutions is insignificant, and the percentage of colored paupers cared for in almshouses and insane asylums is also very small, but the percentage of colored prisoners is large. Nearly all the inmates of almshouses, hospitals and asylums for the insane, and benevolent institutions are white.

Attention is called to the fact that the percentages of native whites with both parents foreign are larger than those for native whites with both parents native in the columns for juvenile offenders and for the inmates of benevolent institutions. The percentage of foreign juvenile offenders is small. There is a relatively large percentage of the foreign born among paupers and insane paupers.

RATIOS TO THE POPULATION.

The population of the United States, exclusive of Alaska, Indian territory, and Indian reservations, June 1, 1890, was 62,622,250. The number of persons included in the four classes here considered was 282,130. The ratio therefore was 4,505 in each million of the total population, made up as follows: prisoners, 1,315; juvenile offenders, 237; paupers in almshouses, 1,166; inmates of benevolent institutions, 1,787.

Table 4 of the series of tables herewith submitted shows the ratios of prisoners to each million of the population at each census since 1850, in the aggregate and classed as male and female, native and foreign born, white and colored, by states and territories. Table 135 shows the same for 1880 and 1890 for juvenile offenders and Table 201 for paupers in almshouses since 1850. No corresponding table for inmates of benevolent institutions could be prepared, because the facts are not stated for any previous census.

Tables have been inserted in the text under each class of institutions to show the ratios of inmates to 1,000,000 of population, by color, nativity, and race and by states and territories.

INMATES OF ALL INSTITUTIONS.

The following table represents the ratios thus distributed for prisoners, juvenile offenders, paupers in almshouses, and inmates of benevolent institutions combined: (a)

STATES AND TERRITORIES.	Aggregate.	WHITE.			COLORED.			
		Total.	Native born.	Foreign born.	Total.	Negroes.	Chinese and Japanese.	Indians.
The United States.....	4,505	4,431	3,708	8,065	5,040	4,916	4,412	21,989
North Atlantic division.....	7,425	7,197	6,201	10,603	21,334	10,681	4,988	181,713
Maine.....	3,290	3,266	2,952	5,578	12,069	14,286	8,945
New Hampshire.....	5,135	5,079	5,005	5,388	34,783	34,202	187,500
Vermont.....	3,225	3,140	3,033	3,539	30,876	33,083
Massachusetts.....	7,406	7,289	6,605	8,959	17,439	17,928	998	30,659
Rhode Island.....	6,477	6,218	6,159	6,347	17,915	18,532
Connecticut.....	5,795	5,538	5,083	6,907	20,436	20,566	20,690	13,158
New York.....	10,350	10,119	9,073	13,028	28,836	29,732	6,487	87,189
New Jersey.....	6,036	5,858	4,848	9,153	11,189	11,356
Pennsylvania.....	5,717	5,372	4,361	10,538	21,912	17,017	4,269	576,840
South Atlantic division.....	3,223	2,774	2,471	10,869	3,991	3,992	2,546
Delaware.....	4,131	3,724	3,364	7,253	6,122	6,129
Maryland.....	7,134	6,748	5,807	14,097	8,611	8,620
District of Columbia.....	11,411	11,210	10,508	16,363	11,823	11,816	80,000
Virginia.....	2,923	2,078	1,952	9,016	4,280	4,280	2,865
West Virginia.....	1,735	1,551	1,438	5,835	5,837	5,843
North Carolina.....	2,337	1,507	1,492	5,461	3,893	3,898	1,982
South Carolina.....	2,159	2,354	2,245	10,582	2,027	2,027
Georgia.....	2,491	1,627	1,557	7,232	3,476	3,477
Florida.....	2,000	730	629	1,878	3,718	3,725
North Central division.....	3,540	3,362	2,874	5,614	12,186	11,881	12,560	10,974
Ohio.....	5,562	5,291	4,655	9,024	16,695	16,427	78,049	72,539
Indiana.....	3,737	3,494	3,169	7,966	15,154	13,713	209,912
Illinois.....	4,195	4,075	3,027	7,720	11,905	11,782	17,242	72,165
Michigan.....	3,199	3,088	2,744	4,060	14,234	16,619	3,179
Wisconsin.....	3,638	3,581	2,926	5,054	18,105	25,777	15,025	13,298
Minnesota.....	2,448	2,332	2,212	2,544	29,117	13,575	60,911
Iowa.....	2,088	2,014	1,773	3,185	15,171	15,161	33,333
Missouri.....	3,545	3,221	2,601	9,288	8,097	9,022	7,874
North Dakota.....	794	769	765	775	8,390	10,724	5,155
South Dakota.....	717	681	630	814	8,564	7,364	11,509
Nebraska.....	1,418	1,356	1,270	1,710	6,821	8,976	601
Kansas.....	2,175	1,930	1,698	3,868	8,825	8,670	20,380
South Central division.....	2,611	2,090	1,797	8,670	3,727	3,704	3,345	21,877
Kentucky.....	3,006	2,465	2,157	10,406	6,213	6,216
Tennessee.....	2,750	1,816	1,714	8,644	5,681	5,684
Alabama.....	2,285	1,258	1,127	3,628	3,545	3,548	1,813
Mississippi.....	1,474	930	888	3,884	1,872	1,876	491
Louisiana.....	4,619	6,300	5,033	19,513	2,942	2,940	8,064	1,595
Texas.....	2,646	1,972	1,657	5,288	5,049	5,023	2,305	26,938
Arkansas.....	1,539	955	892	4,470	3,086	2,838	357,798
Western division.....	5,477	5,421	4,728	7,682	6,526	14,032	4,210	7,279
Montana.....	4,767	4,036	4,176	5,628	8,183	8,053	4,865	19,768
Wyoming.....	1,548	1,484	1,427	1,663	4,190	6,508
Colorado.....	4,533	4,350	4,094	5,345	14,229	11,745	845,794
New Mexico.....	2,195	2,081	1,813	5,341	3,678	7,157	2,747	2,923
Arizona.....	4,847	3,905	2,545	6,872	17,822	13,265	29,478	15,212
Utah.....	1,765	1,738	1,321	2,974	4,487	8,504	2,476	3,289
Nevada.....	5,333	5,425	4,923	6,558	4,794	33,057	4,584	3,057
Idaho.....	2,015	1,914	1,532	3,557	5,492	9,950	4,484	12,579
Washington.....	2,473	2,382	2,032	3,411	5,971	15,066	3,867	3,831
Oregon.....	2,237	2,181	1,824	4,077	3,664	10,961	2,614	4,770
California.....	9,121	9,365	8,423	11,991	6,304	18,018	4,200	8,248

a The ratios given in this table (in which the figures for the four classes named have been consolidated) are calculated, for the whites, by proportionally distributing, between the native born and the foreign born, those whose nativity is unknown.

CRIME, PAUPERISM, AND BENEVOLENCE.

The following summaries, by classes, show the ratios to 1,000,000 of the population.

I.—BY GEOGRAPHICAL DIVISIONS.

CLASSES.	The United States.	GEOGRAPHICAL DIVISIONS.				
		North Atlantic.	South Atlantic.	North Central.	South Central.	Western.
Total	4,505	7,425	3,223	3,540	2,611	5,477
Prisoners	1,315	1,624	1,288	888	1,466	2,221
Juvenile offenders	237	425	146	244	33	117
Paupers in almshouses	1,166	1,790	914	1,145	460	1,036
Inmates of benevolent institutions	1,787	3,586	875	1,263	652	2,103

The largest ratio is in the North Atlantic division, 7,425 to the million; then in the Western, 5,477; in the North Central, 3,540; the South Atlantic, 3,223; the South Central, 2,611.

Of prisoners, the largest ratio is in the Western division, 2,221; then in the North Atlantic, 1,624; in the South Central, 1,466; in the South Atlantic, 1,288; in the North Central, 888.

Of juvenile offenders, the largest ratio is in the North Atlantic division, 425; then in the North Central, 244; in the South Atlantic, 146; in the Western, 117; in the South Central, 33.

Of paupers in almshouses, the largest ratio is in the North Atlantic division, 1,790; then in the North Central, 1,145; in the Western, 1,036; in the South Atlantic, 914; in the South Central, 460.

Of inmates of benevolent institutions, the largest ratio is in the North Atlantic division, 3,586; then in the Western, 2,103; in the North Central, 1,263; in the South Atlantic, 875; in the South Central, 652.

The largest ratios are in the North Atlantic division, except for prisoners, who show the largest ratio in the Western division. The smallest ratios are in the South Central division, except for prisoners, who show the smallest ratio in the North Central division.

If now we turn to the consideration of ratios in the several states and territories, the largest ratio of all inmates to 1,000,000 of the population is in the District of Columbia, 11,411; followed by New York, 10,350; California, 9,121; Massachusetts, 7,406; Maryland, 7,134; Rhode Island, 6,477; New Jersey, 6,036; Connecticut, 5,795; Pennsylvania, 5,717; Ohio, 5,562; Nevada, 5,333; New Hampshire, 5,135; Arizona, 4,847; Montana, 4,767; Louisiana, 4,619; Colorado, 4,533; Illinois, 4,195; Delaware, 4,131; Indiana, 3,737; Wisconsin, 3,638; Missouri, 3,545; Maine, 3,290; Vermont, 3,225; Michigan, 3,199; Kentucky, 3,006; Virginia, 2,923; Tennessee, 2,759; Texas, 2,646; Georgia, 2,491; Washington, 2,473; Minnesota, 2,448; North Carolina, 2,337; Alabama, 2,285; Oregon, 2,237; New Mexico, 2,195; Kansas, 2,175; South Carolina, 2,159; Iowa, 2,088; Idaho, 2,015; Florida, 2,000; Utah, 1,765; West Virginia, 1,735; Wyoming, 1,548; Arkansas, 1,539; Mississippi, 1,474; Nebraska, 1,418; North Dakota, 794; South Dakota, 717.

II.—BY ELEMENTS OF THE POPULATION.

CLASSES.	Aggro- gate.	WHITE.			COLORED.			
		Total.	Native born. (a)	Foreign born. (a)	Total.	Negroes.	Chinese and Japanese.	Indians.
Total	4,505	4,431	3,708	8,065	5,040	4,916	4,412	21,989
Prisoners	1,315	1,042	898	1,768	3,275	3,250	3,835	5,476
Juvenile offenders	237	235	250	159	254	258	9	204
Paupers in almshouses	1,166	1,211	820	3,131	847	859	121	613
Inmates of benevolent institutions	1,787	1,943	1,731	3,007	664	549	447	15,696

The highest ratio to the million for all classes combined is for the Indians, 21,989; then for the foreign whites, 8,065; negroes, 4,916; Chinese and Japanese, 4,412; native whites, 3,708.

The order for the four classes is as follows:

For prisoners: Indians, 5,476; Chinese and Japanese, 3,835; negroes, 3,250; foreign whites, 1,768; native whites, 898.

For juvenile offenders: negroes, 258; native whites, 250; Indians, 204; foreign whites, 159; Chinese and Japanese, 9.

^a See footnote on page 9.

For paupers in almshouses: foreign whites, 3,131; negroes, 859; native whites, 829; Indians, 613; Chinese and Japanese, 121.

For inmates of benevolent institutions: Indians, 15,696; foreign whites, 3,007; native whites, 1,731; negroes, 549; Chinese and Japanese, 447.

For the geographical divisions, the order in all classes combined is as follows:

In the North Atlantic division: Indians, 191,713; negroes, 19,681; foreign whites, 10,603; native whites, 6,201; Chinese and Japanese, 4,988.

In the South Atlantic division: foreign whites, 10,869; negroes, 3,992; Indians, 2,546; native whites, 2,471; Chinese and Japanese, none.

In the North Central division: Indians, 19,974; Chinese and Japanese, 12,560; negroes, 11,881; foreign whites, 5,514; native whites, 2,874.

In the South Central division: Indians, 21,877; foreign whites, 8,679; negroes, 3,704; Chinese and Japanese, 3,345; native whites, 1,797.

In the Western division: negroes, 14,032; foreign whites, 7,682; Indians, 7,279; native whites, 4,728; Chinese and Japanese, 4,219.

The ratios of negro prisoners to the million of the negro population are notably higher in the northern than in the southern states. The ratio in the South Atlantic division is 2,716; in the South Central, 2,984; in the North Central, 6,351; in the North Atlantic, 7,547; in the Western, 9,527.

The remark made as to the larger ratios of negroes in prison at the north also applies to negro paupers in almshouses.

In every geographical division and in almost every state and territory the ratios of the foreign whites in prison are larger than those of the native whites. In the case of juvenile offenders it is different, since there are comparatively few children among immigrants. The ratio for the native whites is 250, for the foreign whites, 159.

In the almshouses the ratio for the foreign whites is more than three times as great as that for the native whites. In the benevolent institutions the ratio for the foreign whites is nearly double that for the native whites.

INCREASE OR DECREASE.

Table 4 shows the ratios of prisoners to 1,000,000 of the population at each census, 1850-1890; Table 135 shows the corresponding ratio of inmates of juvenile reformatories for 1880 and 1890; Table 201 shows the corresponding ratio for inmates of almshouses at each census, 1850-1890. These tables are suggestive as to the increase in the relative number in each class at each census, but the differences in conditions and methods of enumeration prior to 1880 prevent comparisons of accurate value.

Attention is invited to the following figures:

CLASSES OF INSTITUTIONS.	1890		1880		INCREASE.		DECREASE.	
	Inmates.	Ratios.	Inmates.	Ratios.	Inmates.	Ratios.	Inmates.	Ratios.
Total	170,220	2,718	136,280	2,718	33,940
Prisons	82,320	1,315	58,009	1,169	23,720	146
Juvenile reformatories.....	14,846	237	11,468	229	3,378	8
Almshouses	73,045	1,166	66,203	1,320	6,842	154

From the foregoing statement it appears that in growth, relative to the population at large, the population of the penal, reformatory, and pauper institutions, in the aggregate, during the past 10 years, has been stationary. The ratio in 1890 is 2,718 to the million of the population of the country; the ratio in 1880 was the same. The prison population has grown slightly, but perceptibly; the reformatory population very slightly; but the decline in the almshouse population has equaled the growth in both the prison and the reformatory population.

The corresponding figures can not be given for the population of the private charitable institutions. It is known, however, that its growth has been rapid, absolutely and relatively. (a)

^a By absolute increase is meant the increase in the number; by relative increase, the increase in the ratio.

INMATES OF ALL INSTITUTIONS.

The following is a summary of the preceding table:

NUMBERS.

CLASSES.	The United States.	GEOGRAPHICAL DIVISIONS.				
		North Atlantic.	South Atlantic.	North Central.	South Central.	Western.
Total	282,180	129,184	28,551	79,169	28,641	16,585
Male	183,445	78,854	18,484	52,239	20,956	12,912
Female	98,685	50,330	10,067	26,930	7,685	3,673
Prisoners	82,320	28,258	11,409	19,854	16,084	6,724
Male	75,924	24,883	10,505	18,573	15,131	6,532
Female	6,405	3,375	904	981	953	192
Juvenile offenders	14,845	7,888	1,293	5,451	359	355
Male	11,535	5,702	1,115	4,159	298	261
Female	3,311	1,686	178	1,292	61	94
Paupers in almshouses	73,045	31,143	8,100	25,615	5,040	3,138
Male	40,741	16,893	3,878	14,832	2,381	2,762
Female	32,304	14,250	4,227	10,783	2,658	376
Inmates of benevolent institutions	111,910	62,395	7,749	23,249	7,149	6,368
Male	55,245	31,376	2,991	14,375	3,146	3,957
Female	56,665	31,019	4,758	13,874	4,003	3,011
PERCENTAGES.						
Total	100.00	100.00	100.00	100.00	100.00	100.00
Male	65.02	61.04	64.74	65.98	73.17	77.85
Female	34.98	38.96	35.26	34.02	26.83	22.15
Prisoners	29.18	21.87	30.06	25.08	56.10	40.54
Male	26.91	19.26	36.79	23.84	52.83	39.33
Female	2.27	2.61	3.17	1.24	3.33	1.16
Juvenile offenders	5.26	5.72	4.53	6.89	1.25	2.14
Male	4.09	4.41	3.99	5.25	1.04	1.58
Female	1.17	1.31	0.63	1.64	0.21	0.56
Paupers in almshouses	25.89	24.11	28.37	32.35	17.63	18.92
Male	14.44	13.08	13.57	18.73	8.32	16.05
Female	11.45	11.03	14.80	13.62	9.31	2.27
Inmates of benevolent institutions	39.67	48.30	27.14	35.68	24.96	38.40
Male	19.53	24.29	10.48	18.16	10.98	20.24
Female	20.09	24.01	16.66	17.52	13.98	18.16

There were in the North Atlantic division 129,184; in the North Central, 79,169; in the Western, 16,585; in the South Atlantic, 28,551; in the South Central, 28,641.

Nearly one-half of all inmates of institutions in the United States are found in the North Atlantic division and more than one-fourth in the North Central. The aggregate number in the three remaining divisions is less than that in the North Central. The North Atlantic and the North Central divisions have the largest percentages of inmates of benevolent institutions, while the remaining three divisions have the largest percentages of prisoners. The largest percentage of prisoners in any single division is in the South Central.

CRIME, PAUPERISM, AND BENEVOLENCE.

The order of the states and territories according to the number of inmates of institutions in each is as follows:

New York.....	62,076	Virginia.....	4,841	Nebraska.....	1,501
Pennsylvania.....	30,063	Georgia.....	4,577	West Virginia.....	1,324
Ohio.....	20,426	Connecticut.....	4,324	Vermont.....	1,072
Massachusetts.....	16,581	Iowa.....	3,992	Washington.....	864
Illinois.....	16,050	North Carolina.....	3,780	Florida.....	783
California.....	11,019	Alabama.....	3,457	Oregon.....	702
Missouri.....	9,499	Minnesota.....	3,187	Delaware.....	696
New Jersey.....	8,722	Kansas.....	3,103	Montana.....	630
Indiana.....	8,193	District of Columbia.....	2,629	Utah.....	367
Maryland.....	7,436	South Carolina.....	2,485	New Mexico.....	337
Michigan.....	6,700	Rhode Island.....	2,238	Arizona.....	289
Wisconsin.....	6,137	Maine.....	2,175	Nevada.....	244
Texas.....	5,916	New Hampshire.....	1,933	South Dakota.....	236
Kentucky.....	5,588	Mississippi.....	1,901	Idaho.....	170
Louisiana.....	5,166	Colorado.....	1,869	North Dakota.....	145
Tennessee.....	4,877	Arkansas.....	1,736	Wyoming.....	94

The following summary exhibits the number and percentage in each geographical division, by color, nativity, and race:

NUMBERS.

GEOGRAPHICAL DIVISIONS.	Aggregate.	WHITE.							COLORED.					
		Total white.	Native born.					Foreign born.	Nativity unknown.	Total colored.	Negroes.	Chinese.	Japanese.	Indians.
			Total.	Parents native.	One parent foreign.	Parents foreign.	One or both parents unknown.							
The United States.....	282,130	243,827	164,475	69,285	9,849	44,313	41,028	71,307	7,845	38,503	36,727	402	21	1,293
North Atlantic.....	129,184	123,220	80,250	31,073	5,610	28,105	15,456	40,248	2,722	5,964	5,312	32		620
South Atlantic.....	28,551	15,519	13,025	8,160	428	1,281	3,150	2,146	348	13,032	13,026			6
North Central.....	79,169	73,681	48,983	18,891	2,477	10,215	17,400	21,236	3,462	5,488	5,122	31		335
South Central.....	28,641	15,649	12,109	7,051	508	1,420	3,130	2,634	900	12,992	12,887	5		100
Western.....	16,585	15,558	10,108	4,104	320	3,292	1,892	5,043	407	1,027	380	394	21	232

PERCENTAGES.

The United States.....	100.00	100.00	100.00	100.00	100.00	100.00	100.00	100.00	100.00	100.00	100.00	100.00	100.00	100.00
North Atlantic.....	45.79	50.58	48.79	44.85	57.02	63.42	37.07	56.44	34.70	15.40	14.46	6.93		47.95
South Atlantic.....	10.12	6.37	7.92	11.79	4.34	2.89	7.68	8.01	4.43	33.85	35.47			0.47
North Central.....	28.06	30.24	29.78	27.26	25.15	23.05	42.41	29.78	44.13	14.25	13.95	6.71		25.91
South Central.....	10.13	6.42	7.90	10.18	5.16	3.21	7.63	8.70	11.55	33.74	35.09	1.08		7.73
Western.....	5.88	6.39	6.15	5.92	8.33	7.43	4.61	7.07	5.19	2.67	1.03	85.28	100.00	17.94

The percentages of foreign white and of native white inmates with foreign parents are smaller in the south, and of negroes smaller at the north. All of the Japanese and nearly all of the Chinese are found in the west. Of the remaining elements specified, the only ones which are not represented by larger numbers in the west than in the east are the foreign white and the native white with foreign parents.

INMATES OF ALL INSTITUTIONS.

SEX.

As to sex, 183,445 are male and 98,685 are female. The percentage of male inmates is 65.02, and of female inmates 34.98. The distribution of sex by geographical divisions has been already shown under the title "Geographical distribution". (a). The distribution of inmates of each sex, by classes and by color, nativity, and race, is shown in the following table:

NUMBERS.

CLASSES.	Aggre- gate.	WHITE.								COLORED.				
		Total white.	Native born.					Foreign born.	Nativ- ity un- known.	Total colored.	Ne- groes.	Chi- nese.	Japa- nese.	In- dians.
			Total	Parents native.	One parent foreign.	Parents foreign.	One or both parents un- known.							
Total	282,130	243,027	104,475	69,285	9,849	44,313	41,028	71,807	7,845	38,503	36,727	402	21	1,293
Male	183,445	152,836	103,480	45,215	6,478	28,417	23,370	45,012	4,344	30,609	29,291	452	20	846
Prisoners	75,024	52,894	38,156	20,101	2,729	11,766	3,500	13,869	869	23,030	22,305	406	12	307
Juvenile offenders	11,535	9,098	8,035	2,508	721	3,192	2,214	1,129	234	1,537	1,525	1		11
Paupers in almshouses	40,741	37,387	19,375	11,123	538	2,176	5,538	16,938	1,074	3,354	3,326	12		16
Inmates of benevolent institutions	55,245	52,557	37,314	11,483	2,490	11,283	12,058	13,076	2,167	2,088	2,135	33	8	512
Female	98,685	90,791	60,095	24,070	3,371	15,896	17,658	26,295	3,501	7,894	7,430	10	1	447
Prisoners	6,405	4,410	2,315	936	152	335	392	2,063	38	1,089	1,972	1	1	15
Juvenile offenders	3,311	2,905	2,443	737	242	773	691	276	186	406	405			1
Paupers in almshouses	32,304	29,191	17,281	10,396	411	1,404	5,070	10,710	1,200	3,113	3,092	1		20
Inmates of benevolent institutions	56,065	54,279	38,950	12,001	2,566	12,884	11,505	13,246	2,077	2,386	1,967	8		411

PERCENTAGES.

Total	100.00	100.00	100.00	100.00	100.00	100.00	100.00	100.00	100.00	100.00	100.00	100.00	100.00	100.00
Male	65.02	62.73	62.92	65.26	65.77	64.13	50.96	63.12	55.37	79.50	79.75	97.84	95.24	65.43
Female	34.98	37.27	37.08	34.74	34.23	35.87	43.04	36.88	44.63	20.50	20.25	2.16	4.76	34.57
Prisoners	100.00	100.00	100.00	100.00	100.00	100.00	100.00	100.00	100.00	100.00	100.00	100.00	100.00	100.00
Male	92.22	92.29	94.28	93.55	94.72	93.37	90.08	87.05	95.81	92.05	91.88	98.75	92.31	95.34
Female	7.78	7.71	5.72	4.45	5.28	6.63	9.92	12.95	4.19	7.95	8.12	0.25	7.69	4.66
Juvenile offenders	100.00	100.00	100.00	100.00	100.00	100.00	100.00	100.00	100.00	100.00	100.00	100.00		100.00
Male	77.70	77.49	77.95	77.29	74.37	80.50	76.21	80.36	55.71	79.10	79.02	100.00		91.67
Female	22.30	22.51	22.05	22.71	25.13	19.50	23.79	19.64	44.29	20.90	20.98			8.33
Paupers in almshouses	100.00	100.00	100.00	100.00	100.00	100.00	100.00	100.00	100.00	100.00	100.00	100.00		100.00
Male	55.78	50.16	52.86	51.09	50.09	60.78	52.21	61.26	47.23	51.86	51.82	92.31		44.44
Female	44.22	43.84	47.14	48.31	43.31	39.22	47.79	38.74	52.77	48.14	48.18	7.69		55.56
Inmates of benevolent institutions	100.00	100.00	100.00	100.00	100.00	100.00	100.00	100.00	100.00	100.00	100.00	100.00	100.00	100.00
Male	49.37	49.19	48.92	48.90	49.25	46.69	51.17	49.68	51.06	52.93	52.05	80.49	100.00	55.47
Female	50.63	50.81	51.08	51.10	50.75	53.31	48.83	50.32	48.94	47.02	47.95	19.51		44.53

The largest percentage of males is found among the Chinese, 97.84; then among the Japanese, 95.24; negroes, 79.75; native whites with one parent foreign, 65.77; Indians, 65.43; native whites with parents native, 65.26; native whites with parents foreign, 64.13; foreign whites, 63.12.

The percentage of male inmates in prisons is 92.22; in juvenile reformatories, 77.70; in almshouses, 55.78; in benevolent institutions, 49.37. The only class of institutions in which female inmates predominate is the last named. The percentage of native white male inmates of prisons with native parents is larger than that of the foreign born, but the percentage of male white inmates of benevolent institutions who are foreign born is larger than that of natives with native parents.

a See page 12.

CRIME, PAUPERISM, AND BENEVOLENCE.

COLOR AND RACE.

In respect to color, 243,627 (152,836 male and 90,791 female) are white and 38,503 (30,609 male and 7,894 female) are colored. The percentage of whites is 86.35, and of colored 13.65.

By geographical divisions and by classes of institutions, the percentages are:

CLASSES BY COLOR.	The United States.	GEOGRAPHICAL DIVISIONS.				
		North Atlantic.	South Atlantic.	North Central.	South Central.	Western.
Total	100.00	100.00	100.00	100.00	100.00	100.00
White	86.35	95.38	54.36	93.07	54.64	93.81
Colored	13.65	4.62	45.64	6.93	45.36	6.19
Prisoners	100.00	100.00	100.00	100.00	100.00	100.00
White	69.61	92.06	22.30	85.78	34.84	88.53
Colored	30.39	7.34	77.70	14.24	65.16	11.47
Juvenile offenders	100.00	100.00	100.00	100.00	100.00	100.00
White	86.91	91.81	60.32	87.78	58.22	97.46
Colored	13.09	8.19	39.68	12.22	41.78	2.54
Paupers in almshouses	100.00	100.00	100.00	100.00	100.00	100.00
White	91.15	96.91	65.26	96.17	67.46	97.90
Colored	8.85	3.09	34.74	3.83	32.54	2.10
Inmates of benevolent institutions	100.00	100.00	100.00	100.00	100.00	100.00
White	95.47	96.28	89.16	96.41	89.94	97.16
Colored	4.53	3.72	10.84	3.59	10.06	2.84

Of 38,503 colored inmates, 36,727 are negroes, 462 Chinese, 21 Japanese, and 1,293 Indians.

Reduced to percentages, the percentage of negroes is 95.39, of Chinese 1.20, of Japanese 0.05, and of Indians 3.36.

By geographical divisions and by race, the percentages are:

RACE.	The United States.	GEOGRAPHICAL DIVISIONS.				
		North Atlantic.	South Atlantic.	North Central.	South Central.	Western.
Total	100.00	100.00	100.00	100.00	100.00	100.00
Negroes	95.39	89.07	99.95	93.33	99.19	37.01
Chinese	1.20	0.54	0.57	0.04	33.38
Japanese	0.05	2.04
Indians	3.36	10.39	0.05	6.10	0.77	22.59

NATIVITY OF WHITE INMATES.

As to the nativity of 243,627 white inmates of penal and charitable institutions (152,836 male and 90,791 female), 164,475 (103,480 male and 60,995 female) were born in the United States, 71,307 (45,012 male and 26,295 female) were born abroad, and the birthplaces of 7,845 (4,344 male and 3,501 female) are unknown. They were distributed by sex and by geographical divisions as follows:

NUMBERS.

SEX, COLOR, AND NATIVITY.	The United States.	GEOGRAPHICAL DIVISIONS.				
		North Atlantic.	South Atlantic.	North Central.	South Central.	Western.
Total white	243,627	123,220	15,519	73,681	15,649	15,558
Male	152,836	74,904	8,183	47,936	9,836	11,977
Female	90,791	48,316	7,336	25,745	5,813	3,581
Native born	164,475	80,250	13,025	48,983	12,109	10,108
Male	103,480	50,126	6,773	31,669	7,480	7,426
Female	60,995	30,124	6,252	17,314	4,629	2,682
Foreign born	71,307	40,248	2,146	21,236	2,634	5,043
Male	45,012	23,440	1,275	14,141	1,912	4,244
Female	26,295	16,808	871	7,095	722	790
Nativity unknown	7,845	2,722	348	3,462	906	407
Male	4,344	1,338	135	2,120	438	307
Female	3,501	1,384	213	1,336	468	100
PERCENTAGES.						
Total white	100.00	100.00	100.00	100.00	100.00	100.00
Male	62.73	60.79	52.73	65.06	62.85	76.98
Female	37.27	39.21	47.27	34.94	37.15	23.02
Native born	67.51	65.13	83.93	66.48	77.38	64.97
Male	42.47	40.68	43.64	42.98	47.84	47.73
Female	25.04	24.45	40.29	23.50	29.54	17.24
Foreign born	29.27	32.66	13.83	23.82	16.83	32.41
Male	18.48	19.02	8.22	19.19	12.21	27.27
Female	10.79	13.64	5.61	9.63	4.62	5.14
Nativity unknown	3.22	2.21	2.24	4.70	5.79	2.62
Male	1.78	1.09	0.87	2.89	2.80	1.93
Female	1.44	1.12	1.37	1.81	2.99	0.64

The enumerators have reported 172 negro prisoners who are aliens and 57 who are naturalized. The error arising from treating the negro and Indian population as native is small.

Omitting those whose nativity is not given, the percentage of native whites is 69.76, and of foreign whites, 30.24.

The Chinese and Japanese may be assumed to have been born abroad, the negroes and Indians to have been born in this country.

OFFENSES CHARGED.

Tables 44 to 46 relate to the offenses with which prisoners are charged, and Tables 139 to 143 are the corresponding tables for juvenile offenders.

For some important observations with reference to the classification of offenses, the reader is referred to page 139, where this subject is discussed in connection with the tables for prisoners.

CRIME, PAUPERISM, AND BENEVOLENCE.

The following table shows the offenses with which juvenile offenders are charged, by color, nativity, and race:

OFFENSES.	Aggregate.	WHITE.								COLORED.			
		Total white.	Native born.					Foreign born.	Nativity unknown.	Total colored.	Negroes.	Chinese.	Indians.
			Total.	Parents native.	One parent foreign.	Parents foreign.	One or both parents unknown.						
All offenses.....	14,846	12,903	11,078	3,245	903	3,905	2,905	1,405	420	1,943	1,930	1	12
I. Against the government.....	18	11	11	6	1	3	1			7	7		
1. Against the postal laws.....	17	10	10	0	1	2	1			7	7		
2. Against the revenue laws.....	1	1	1			1							
II. Against society.....	6,930	5,850	4,953	1,055	857	1,599	1,342	690	207	1,080	1,074	1	5
1. Against public justice.....	1	1						1					
2. Against public morals.....	492	467	301	143	10	82	61	144	22	25	25		
Incest.....	2	2	2					2					
Crime against nature.....	2	2	2	1				1					
Adultery.....	1	1	1										
Fornication.....	215	201	165	104	6	17	39	15	21	14	14		
Indecency.....	34	33	29	12		9	8	4		1	1		
Gambling.....	1	1	1										
Violation of liquor laws.....	3	3	2		2			1					
Public intoxication.....	220	210	91	27	5	63	6	119		10	10		
All other.....	14	14	0	2		3	4	4	1				
3. Against public peace.....	525	439	359	77	42	92	148	49	31	86	86		
Breach of the peace.....	15	14	13	0		6	1	1		1	1		
Disorderly conduct.....	498	421	343	71	41	86	145	47	31	77	77		
Carrying concealed weapons.....	7	4	3		1		2	1		3	3		
All other.....	5									5	5		
4. Against public policy.....	5,912	4,943	4,293	1,430	305	1,425	1,133	496	154	909	963	1	5
Vagrancy.....	1,336	1,112	918	246	76	317	279	137	57	224	223	1	
Incorrigibility.....	4,069	3,346	2,970	1,094	199	922	755	292	84	723	722		1
Truancy.....	506	484	404	90	30	186	98	67	13	22	18		4
All other.....	1	1	1				1						
III. Against the person.....	308	248	199	74	15	47	63	38	11	60	60		
1. Homicide.....	16	11	9	3	1	2	3		2	5	5		
2. Rape.....	16	14	12	6	2	1	3	2		2	2		
3. Abduction.....	1									1	1		
4. Assaults, all sorts.....	275	223	178	65	12	44	57	36	9	52	52		
IV. Against property.....	4,515	3,862	3,326	994	229	1,043	1,060	421	115	653	646		7
1. Arson.....	35	27	24	12		2	10	1	2	8	7		1
2. Burglary.....	546	478	417	97	26	160	184	52	9	68	68		
3. Robbery.....	14	11	11	1	2	7	1			3	3		
4. Larceny.....	3,720	3,183	2,723	838	197	830	863	354	101	546	541		5
Larceny, not specified.....	973	783	681	199	48	212	225	84	15	190	188		2
Grand larceny.....	175	152	125	39	12	36	39	18	8	23	23		
Petit larceny.....	2,544	2,214	1,887	588	136	570	593	249	78	330	327		3
Larceny of horses.....	26	23	20	8	1	5	6	3		3	3		
Receiving stolen goods.....	11	11	11	4		7							
5. Embezzlement.....	9	7	5	1	1	2	1	2		2	2		
6. Fraud.....	15	12	10	5		1	4	1	1	3	3		
7. False pretenses.....	21	19	17	6	1	4	6	2		2	2		
8. Forgery.....	28	25	22	9	1	6	6	2	1	3	3		
9. Malicious mischief.....	118	100	92	25	1	31	35	7	1	18	17		1
V. Miscellaneous.....	3,075	2,932	2,589	516	361	1,273	439	256	87	143	143		
1. Double crimes.....	208	183	155	47	15	33	60	16	12	25	25		
2. Violation of municipal ordinances.....	4	3	3		1	1	1			1	1		
3. Unclassified.....	2,080	2,008	1,802	300	271	995	236	168	38	72	72		
4. Not stated.....	781	736	629	169	74	244	142	70	37	45	45		
5. Held as witnesses.....	2	2						2					

CRIME, PAUPERISM, AND BENEVOLENCE.

The following summaries show the number of offenses, by groups of crimes, alleged to have been committed by prisoners and juvenile offenders, in the aggregate.

I.—OFFENSES, BY GEOGRAPHICAL DIVISIONS.

BOTH SEXES.

OFFENSES.	NUMBERS.						PERCENTAGES.				
	The United States.	Geographical divisions.					Geographical divisions.				
		North Atlantic.	South Atlantic.	North Central.	South Central.	Western.	North Atlantic.	South Atlantic.	North Central.	South Central.	Western.
All offenses.....	97,175	35,646	12,702	25,305	16,443	7,079	36.68	13.07	26.04	16.92	7.29
Against the government.....	1,857	371	123	938	210	215	19.93	6.62	50.51	11.31	11.58
Against society.....	25,795	13,359	2,692	6,232	2,330	1,183	51.78	10.44	24.16	9.03	4.59
Against the person.....	17,589	4,373	2,770	4,282	4,672	1,486	24.86	15.78	24.35	26.56	8.45
Against property.....	42,222	13,978	5,831	11,235	7,535	3,643	33.10	13.81	26.61	17.85	8.63
On the high seas.....	4	4					100.00				
Miscellaneous.....	9,708	3,562	1,280	2,618	1,606	552	36.69	13.18	26.97	17.47	5.69

MALE.

All offenses.....	87,450	30,585	11,620	23,032	15,420	6,793	34.97	13.29	26.33	17.64	7.77
Against the government.....	1,841	364	123	935	204	215	19.77	6.68	50.79	11.08	11.08
Against society.....	20,255	10,065	2,201	4,079	1,044	1,066	49.69	10.87	24.58	9.00	5.20
Against the person.....	16,802	4,166	2,500	4,124	4,459	1,463	24.79	15.42	24.54	26.54	8.71
Against property.....	40,551	13,307	5,516	10,843	7,285	3,600	32.82	13.60	26.74	17.96	8.88
On the high seas.....	4	4					100.00				
Miscellaneous.....	8,008	2,679	1,190	2,151	1,537	449	33.46	14.86	26.87	19.20	5.61

FEMALE.

All offenses.....	9,716	5,061	1,082	2,273	1,014	286	52.09	11.14	23.39	10.44	2.94
Against the government.....	10	7		3	6		43.75		18.75	37.50	
Against society.....	5,540	3,293	491	1,253	386	117	59.44	8.80	22.62	6.97	2.11
Against the person.....	787	207	186	158	213	23	26.30	23.63	20.08	27.07	2.92
Against property.....	1,671	671	315	892	250	43	40.16	18.85	23.46	14.96	2.57
Miscellaneous.....	1,702	883	90	467	159	103	51.88	5.29	27.44	9.34	6.05

Of these 97,175 prisoners and juvenile offenders, 35,646, or 36.68 per cent, are found in the North Atlantic division; the next largest percentage is in the North Central, 26.04; then in the South Central, 16.92; in the South Atlantic, 13.07; in the Western, 7.29. The percentage of female prisoners and juvenile offenders in the North Atlantic division is highest, namely, 52.09, and in the Western, much the lowest, namely, 2.94. The highest percentages in the North Atlantic division are found under crimes against society and the next under crimes against property. The highest percentages in the North Central division are of crimes against the government, in the South Atlantic and South Central divisions against the person, and in the Western division against property.

INMATES OF ALL INSTITUTIONS.

23

II.—OFFENSES, BY ELEMENTS OF THE POPULATION.

BOTH SEXES.

COLOR, NATIVITY, AND RACE.	NUMBERS.							PERCENTAGES.					
	Total.	Against the government.	Against society.	Against the person.	Against property.	On the high seas.	Miscellaneous.	Against the government.	Against society.	Against the person.	Against property.	On the high seas.	Miscellaneous.
Total.....	97,175	1,857	25,795	17,580	42,222	4	9,708	1.91	26.55	18.10	43.45	0.00	9.99
White.....	70,213	1,657	21,312	10,515	29,758	4	9,907	2.36	30.35	14.93	42.38	0.01	9.92
Native born.....	51,549	1,207	14,369	7,271	23,369	2	5,391	2.34	27.70	14.11	45.33	0.00	10.46
Parents native.....	24,282	564	5,638	4,406	11,659	1	2,014	2.32	23.22	18.15	48.02	0.00	8.29
One parent foreign.....	3,814	67	941	445	1,830	561	1.74	24.48	11.58	47.61	14.59
Parents foreign.....	16,566	142	5,417	1,698	7,238	1	2,070	0.86	32.70	10.25	43.69	0.01	12.49
One or both parents unknown.....	6,857	434	2,313	722	2,642	746	6.33	33.73	10.53	38.53	10.88
Foreign born.....	17,937	445	6,593	3,124	6,016	2	1,157	2.57	38.03	18.02	34.70	0.01	6.67
Nativity unknown.....	1,327	5	410	120	373	419	0.38	50.00	9.04	28.11	31.57
Colored.....	26,962	200	4,483	7,074	12,464	2,741	0.74	16.03	20.24	46.23	10.16
Negroes.....	26,207	185	4,334	6,800	12,235	2,663	0.70	16.54	25.95	46.65	10.16
Chinese.....	408	2	48	147	139	72	0.49	11.70	30.03	34.07	17.05
Japanese.....	13	6	2	5	46.15	15.39	38.46
Indians.....	334	13	95	125	95	6	3.89	28.44	37.43	28.44	1.80

MALE.

Total.....	87,459	1,841	20,255	16,802	40,551	4	8,006	2.11	23.16	19.21	46.37	0.00	9.15
White.....	62,892	1,643	16,750	10,163	28,810	4	5,522	2.61	26.63	10.16	45.81	0.01	8.78
Native born.....	46,791	1,199	11,586	7,037	22,768	2	4,199	2.56	24.78	15.04	48.66	0.01	8.97
Parents native.....	22,669	561	4,617	4,275	11,423	1	1,732	2.48	20.42	18.91	50.52	0.01	7.66
One parent foreign.....	3,450	65	767	432	1,775	411	1.89	22.23	12.52	51.45	11.91
Parents foreign.....	14,958	139	4,540	1,652	7,070	1	1,550	0.93	30.35	11.04	47.31	0.01	10.36
One or both parents unknown.....	5,774	434	1,662	678	2,494	566	7.52	28.79	11.74	43.19	8.76
Foreign born.....	14,998	439	4,873	3,014	5,712	2	958	2.93	32.49	20.10	38.08	0.01	6.39
Nativity unknown.....	1,103	5	291	112	330	365	0.45	28.38	10.16	29.92	33.09
Colored.....	24,567	198	3,505	6,639	11,741	2,484	0.81	14.27	27.02	47.79	10.11
Negroes.....	23,830	183	3,368	6,367	11,504	2,403	0.77	14.13	26.72	48.33	10.10
Chinese.....	407	2	47	147	139	72	0.49	11.55	36.12	34.15	17.09
Japanese.....	12	5	2	5	41.67	16.67	41.66
Indians.....	318	13	85	123	63	4	4.00	26.73	38.68	29.24	1.26

FEMALE.

Total.....	9,716	16	5,540	787	1,071	1,702	0.16	57.02	8.10	17.20	17.52
White.....	7,321	14	4,562	352	948	1,445	0.19	62.31	4.81	12.95	19.74
Native born.....	4,758	8	2,723	234	601	1,192	0.17	57.23	4.92	12.63	25.05
Parents native.....	1,673	3	1,021	131	256	282	0.18	61.03	7.83	14.11	16.85
One parent foreign.....	364	2	174	13	55	150	0.51	44.16	3.30	13.96	38.07
Parents foreign.....	1,608	3	877	46	162	520	0.19	54.54	2.86	10.07	32.34
One or both parents unknown.....	1,083	651	44	148	240	60.11	4.06	13.07	22.16
Foreign born.....	2,339	6	1,720	110	304	199	0.20	73.53	4.70	13.00	8.51
Nativity unknown.....	224	119	8	43	54	53.12	3.57	19.20	24.11
Colored.....	2,395	2	978	435	723	257	0.08	40.84	18.16	30.19	10.73
Negroes.....	2,377	2	966	433	721	255	0.08	40.64	18.22	30.33	10.73
Chinese.....	1	1	100.00
Japanese.....	1	1	100.00
Indians.....	16	10	2	2	2	62.50	12.50	12.50	12.50

a Less than five-thousandths of 1 per cent.

Excluding those whose nativity or parentage is unknown, the highest crime percentages for all, except the foreign whites, are found to be against property, and for the foreign whites, against society. The percentage of crimes against property is larger in proportion as the native element predominates, as will be clear when attention is called to the fact that of foreign white prisoners and juvenile offenders 34.70 per cent are charged with crimes against property; of native whites with both parents foreign, 43.69 per cent; with one parent foreign, 47.61 per cent; with both parents native, 48.02 per cent. On the other hand, we may perceive a like increasing tendency to disorder in proportion as the foreign blood predominates. The percentage of native whites charged with offenses against society, with both parents native, is 23.22; with one parent foreign, 24.48; with both parents foreign, 32.70; foreign whites, 38.03.

It will be observed, however, that the tendency to crimes against property is nearly four times as great among males as among females, and of offenses against society it is more than twice as great among females as among males. The tendency to crimes against the person is nearly four times as great among males as among females, but considerable variation in the detailed application of this general principle is observable. The differences between the sexes are, for instance, not nearly so great among the colored prisoners and juvenile offenders as among the whites.

PARENTAGE OF WHITE INMATES.

The question of the relation of immigration to the volume of poverty and crime in the United States is not exhausted by an inquiry into the nativity of those enumerated in the classes here considered. A further inquiry is necessary into their parentage. If an American merchant should remove from New York to Canton, and children should be born to him in China, they would not be Chinese children. In a census of Americans in China these children would be properly enumerated as Americans, in spite of their nativity, on account of their race. The political and social institutions of the United States are designed and adapted to secure the assimilation of the immigrant to the native population at the earliest date practicable; but it can not ordinarily be effected in a single generation.

The apparent number of parents of white inmates of penal and charitable institutions is twice the number of inmates. (a) Since the total number of white inmates is 243,627, namely: prisoners, 57,310; juvenile offenders, 12,903; paupers in almshouses, 66,578; inmates of benevolent institutions, 106,836, the number of white parents, for the purposes of the present inquiry, may be taken to be 487,254. It is unnecessary to inquire into the parentage of the colored.

a The apparent number is not the actual number, since (1) where two or more children of the same parents are inmates of institutions, there is a duplication of parents, not taken into account in the tabulation, for the reason that the number of such duplications has not been ascertained, and for the additional reason that, in estimating the effect of different nationalities upon admixture of blood, such duplications must be disregarded, in order to avoid error; (2) where such groups of children have the same father but different mothers, or the same mother but different fathers, not only is there a duplication, but the equality of fathers and mothers of the same or different nationalities may also be disturbed. The disregard of these modifications will not affect the general result of comparisons as to the nativity of parents of inmates of institutions.

The intricacy and difficulty of this inquiry will be appreciated, and its character and aim will be understood, if the reader will make a careful examination of the following analytical table (a), in which all the elements that enter into the problem are separately shown:

All parents (b) of white inmates, 487,254.	{	Native parents, 153,025.	{	Both parents native, 138,570.	{	Fathers of 69,285 inmates...	{	Male.... 45,215																																																																																											
								{	One parent native, 14,455.	{	One parent foreign, 9,849.	{	Fathers of 3,700 inmates....	{	Male.... 2,492																																																																																				
															{	One parent of unknown nativity, 4,606.	{	Offspring foreign, 142,614.	{	Fathers of 71,307 inmates...	{	Male.... 45,012																																																																													
																						{	Both parents foreign, 231,240.	{	Offspring native, 88,626.	{	Fathers of 40,255 inmates...	{	Male.... 25,933																																																																						
																													{	Parents of same nationality, 80,510.	{	One parent native, 9,849.	{	Fathers of 6,149 inmates...	{	Male.... 3,986																																																															
																																				{	Parents of different nationalities, 8,118.	{	One parent of unknown nativity, 2,302.	{	Fathers of 1,592 inmates....	{	Male.... 1,023																																																								
																																											{	One parent foreign, 12,151.	{	Offspring native, 68,240.	{	Fathers of 34,120 inmates...	{	Male.... 19,211																																																	
																																																		{	Both parents unknown, 83,930.	{	Offspring of unknown nativity, 15,690.	{	Fathers of 7,845 inmates....	{	Male.... 4,344																																										
																																																									{	Parents of unknown nativity, 90,838.	{	One parent native, 4,606.	{	Fathers of 3,014 inmates....	{	Male.... 1,813																																			
																																																																{	One parent unknown, 6,908.	{	One parent foreign, 2,302.	{	Fathers of 1,189 inmates...	{	Male.... 662																												
																																																																							{	{	{	{	{	{	{	Female.. 24,070																					
																																																																														{	{	{	{	{	{	{	Female.. 1,208														
																																																																																					{	{	{	{	{	{	{	Female.. 24,070							
																																																																																												{	{	{	{	{	{	{	Female.. 2,163
																																																																																																			{
{	{	{	{	{	{	{	Female.. 1,201																																																																																												
							{	{	{	{	{	{	{	Female.. 26,295																																																																																					
														{	{	{	{	{	{	{	Female.. 14,322																																																																														
																					{	{	{	{	{	{	{	Female.. 1,574																																																																							
																												{	{	{	{	{	{	{	Female.. 1,574																																																																
																																			{	{	{	{	{	{	{	Female.. 2,163																																																									
																																										{	{	{	{	{	{	{	Female.. 1,208																																																		
																																																	{	{	{	{	{	{	{	Female.. 452																																											
																																																								{	{	{	{	{	{	{	Female.. 527																																				
																																																															{	{	{	{	{	{	{	Female.. 14,909																													
																																																																						{	{	{	{	{	{	{	Female.. 3,501																						
																																																																													{	{	{	{	{	{	{	Female.. 3,501															
																																																																																				{	{	{	{	{	{	{	Female.. 1,201								
																																																																																											{	{	{	{	{	{	{	Female.. 569	
																																																																																																		{	{
{	{	{	{	{	{	{																																																																																													
							{	{	{	{	{	{	{																																																																																						

The 487,254 parents (b) included in the inquiry are divided into three groups: native parents, 153,025; foreign parents, 243,391; parents of unknown nativity, 90,838. If the three groups are considered, the percentages are as follows: native parents, 31.41; foreign parents, 49.95; parents of unknown nativity, 18.64. If, on the other hand, the parents of unknown nativity are discarded and attention is confined to the remaining two groups, the percentages are: native parents, 38.60; foreign parents, 61.40.

Each of these three groups may be subdivided into two, according to the character of the marriages in each case. The number of cases in which both parents are native is 138,570; where only one parent is native, 14,455. The number of cases in which both parents are foreign is 231,240; where only one parent is foreign, 12,151. The number of cases in which both parents are of unknown nativity is 83,930; where only one is of unknown nativity, 6,908.

The three groups in which one parent only is native, or foreign, or of unknown nativity, as the case may be, are again subdivided into two each. The number of cases in which one parent is native and one foreign is 9,849; in which one is native and one of unknown nativity, 4,606; in which one is foreign and one of unknown nativity, 2,302. Each of the numbers here named appears twice in the table, once under each of the groups represented in each of these classes of marriages.

a The figures for this table are not fully shown in like classification in the principal tables, but they are derived from returns to the office.
 b See footnote on page 24.

The group in which both parents are foreign is subdivisible into two: in the first of these subgroups the offspring are foreign and in the other the offspring were born in the United States.

The group in which both parents are of unknown nativity is subdivisible in an analogous manner into two: in the first of these subgroups the offspring were born in the United States; in the second the nativity of the offspring, like that of their parents, is unknown.

The group of native offspring of foreign parents is further subdivisible into two: the first of these subgroups includes those born of parents of the same nationality; the second includes those born of parents of different nationalities.

All of these groups include a given number of fathers and a given number of mothers, and the fathers and mothers are parents of male or female inmates of institutions. In the final analysis there are 48 distinct subgroups. It must be remembered that these groups exist in the case of each class of institutions, and that they are susceptible of combination in the aggregate. The aggregates only are here shown. The numbers for each group are given in the table and need not be repeated.

Where both parents are native or foreign or of unknown nativity, the number of fathers (*a*) is equal to the number of mothers; but where one parent only is native or foreign or of unknown nativity, the number of fathers is not the same as that of mothers. It will be observed that the numbers of fathers and mothers, in the case of marital unions between foreign parents and parents of unknown nativity, are very nearly the same, but the number of native mothers who have married foreign fathers or fathers of unknown nativity is largely in excess.

A similar analysis might be made of fathers, or of mothers, or of parents of male inmates, or of parents of female inmates. If combined upon either of the principles here suggested, it would appear that the total number of fathers or of mothers is 243,627, namely, of male inmates, 152,836, and of female inmates, 90,791; also the number of parents of male inmates is 305,672, and of female inmates, 181,582.

A similar analytical table might be made of prisoners, or of inmates of juvenile reformatories, or of paupers in almshouses, or of inmates of benevolent institutions.

(1) PARENTAGE BY CLASSES OF INSTITUTIONS.—In the following statement the numbers and percentages of parents (*a*) of white inmates, native, foreign, and of unknown nativity, are shown by classes of institutions:

NUMBERS.

NATIVITY OF ALL PARENTS OF WHITE INMATES.	Total parents.	PARENTS OF—							
		Prisoners.	Juvenile offenders.	Paupers in almshouses.	Inmates of benevolent institutions.				
					Total.	For children.	For adults.	Hospitals.	Miscellaneous.
Total	487,254	114,620	25,806	133,156	213,672	125,374	33,906	42,604	11,788
Native born.....	153,025	45,732	8,093	45,216	53,984	32,831	8,982	9,360	2,811
Foreign born.....	243,391	60,153	11,981	63,536	107,671	51,742	20,837	27,925	7,107
Nativity unknown.....	90,838	8,735	5,732	24,354	52,017	40,801	4,087	5,319	1,870

PERCENTAGES.

Total	100.00	100.00	100.00	100.00	100.00	100.00	100.00	100.00	100.00
Native born.....	31.41	39.90	31.86	33.96	25.27	26.19	26.49	21.97	23.85
Foreign born.....	49.93	52.48	48.43	47.75	50.39	41.27	61.46	65.55	60.80
Nativity unknown.....	18.64	7.62	22.21	18.29	24.34	32.54	12.05	12.48	15.35

It is evident from an examination of these percentages that the difficulty in obtaining exact information as to the parentage of inmates of institutions has been encountered principally where the inmates are youthful. The nativity of the parents of nearly one-third of the inmates of children's institutions, as well as that of the parents of nearly one-fourth of the inmates of juvenile reformatories, is unknown.

In all the columns the percentage of foreign parents is greater than that of native. In the benevolent institutions it is nearly double, and in institutions for adults, in hospitals, and in institutions of a miscellaneous character it is more than double. The preponderance of foreign parents is less for prisoners than for inmates of any other class of institutions.

(2) FOREIGN PARENTAGE.—The interest and importance of this subject center in foreign parents and their distribution by nationalities. The subject may be discussed from either of two points of view: generally, or with special reference to the intermarriages between parents of different nationalities, which is really only a branch of the subject, but its discussion will tend to throw light on the admixture of blood and the rate at which the process of assimilation of the foreign element is proceeding in this country.

INMATES OF ALL INSTITUTIONS.

The following summary exhibits the birthplaces of 243,391 foreign parents, by grand divisions:

NUMBERS.

BIRTHPLACES OF FOREIGN PARENTS OF WHITE INMATES.	Total foreign parents.	FOREIGN PARENTS OF—							
		Prisoners.	Juvenile offenders.	Paupers in almshouses.	Inmates of benevolent institutions.				
					Total.	For children.	For adults.	Hospitals.	Miscellaneous.
Total	243,391	60,153	11,981	63,586	107,671	51,742	20,837	27,925	7,167
America	13,865	6,036	898	2,500	4,425	2,289	677	1,085	373
Europe	228,051	53,754	11,065	60,970	102,853	49,264	20,101	26,731	6,757
Asia	205	94	3	13	185	105	19	47	14
Africa	39	17	1	2	19	14	4	1
Australia and New Zealand	291	163	5	22	101	48	13	31	9
Polynesia	38	6	4	28	8	8	12
Born at sea	212	83	9	60	60	14	19	14	13

PERCENTAGES.

Total	100.00	100.00	100.00	100.00	100.00	100.00	100.00	100.00	100.00
America	5.70	10.03	7.50	3.94	4.11	4.42	3.25	3.89	5.20
Europe	93.94	89.36	92.35	95.90	95.53	95.21	96.47	95.72	94.28
Asia	0.12	0.18	0.02	0.02	0.17	0.20	0.09	0.17	0.20
Africa	0.02	0.03	0.01	0.02	0.03	0.03	0.01
Australia and New Zealand	0.12	0.27	0.04	0.04	0.09	0.09	0.06	0.11	0.13
Polynesia	0.01	0.01	0.01	0.03	0.02	0.04	0.04
Born at sea	0.09	0.14	0.03	0.09	0.06	0.03	0.09	0.05	0.18

The parents from Great Britain, Ireland, and Germany, the three principal sources of foreign parents, by classes of institutions, are as follows:

NUMBERS.

BIRTHPLACES OF FOREIGN PARENTS OF WHITE INMATES.	Total foreign parents.	FOREIGN PARENTS OF—							
		Prisoners.	Juvenile offenders.	Paupers in almshouses.	Inmates of benevolent institutions.				
					Total.	For children.	For adults.	Hospitals.	Miscellaneous.
Great Britain	27,191	8,344	1,277	6,687	10,883
Ireland	120,078	29,184	6,111	32,419	52,364
Germany	52,698	10,072	2,415	15,653	24,558

PERCENTAGES.

Great Britain	11.17	13.87	10.66	10.52	10.11
Ireland	49.34	48.52	51.01	50.08	48.63
Germany	21.65	16.74	20.16	24.62	22.81

(3) FOREIGN PARENTAGE BY NATIONALITIES.—The number of foreign parents of foreign white inmates is theoretically double the number of such inmates. It is here assumed that the parents of foreign inmates are of the same nationality. The exceptions, if any, must be few.

The parents of inmates included in the element entitled "Parents foreign" have been divided into two groups: the first includes 80,510 parents who have married (a) into their own nationality, and the second includes 8,116 who have married (a) foreigners not of their own nationality.

The parents of inmates included in the element entitled "One parent foreign" have been divided into two groups: the first includes 6,149 foreign fathers married (a) to women born in the United States, and the second includes 3,700 foreign mothers married (a) to men born in the United States.

a The number and nativity of children (meaning offspring, without reference to age) were ascertained by actual count. The number of parents was obtained by multiplying the number of children by 2. It is perhaps well to call attention to the fact that this is not the actual number of parents, since a single father and a single mother may have had, and in many instances are known to have had, two or more children who are inmates of institutions. The word "parents" in this discussion is not here employed in the latter restricted sense. The aim of the various statements and calculations submitted is merely to show the extent to which inherited national peculiarities affect the number and description of inmates of American penal, reformatory, and benevolent institutions. The transmission of blood by parents to their offspring is of course equal in amount, whether the offspring of parents of a given nationality were born of the same or different parents, and whether they were born within or without a state of legal marriage. The word "married" must not be understood to convey any information as to the number of marriage ceremonies represented in the tables; it has no reference whatever to the legitimacy or illegitimacy of offspring.

The parents of inmates included in the element entitled "One or both parents unknown" are, as has been shown above, divisible into three groups: (1) both parents unknown; (2) one parent native; (3) one parent foreign.

Of these three, only the last properly belongs in the next table, and it has been divided into two subgroups, the first of which includes 1,113 foreign fathers and the second 1,189 foreign mothers.

The following table exhibits the distribution of foreign parents (a) of white inmates, by nationalities and by certain elements of the population:

BIRTHPLACES OF FOREIGN PARENTS OF WHITE INMATES.	Total foreign parents.	Foreign parents of foreign inmates.	FOREIGN PARENTS OF NATIVE INMATES.								
			Parents foreign.			One parent foreign.			One parent unknown.		
			Total.	Same nationality.	Different nationality.	Total.	Father foreign.	Mother foreign.	Total.	Father foreign.	Mother foreign.
Total	243,391	142,614	88,626	80,510	8,116	9,840	6,149	3,700	2,302	1,118	1,180
America	13,865	9,800	2,959	2,344	615	920	505	415	186	73	118
Canada (English)	10,230	7,114	2,195	1,664	531	773	414	359	154	65	89
Canada (French)	1,098	732	511	272	39	38	25	11	19	5	14
Argentine Republic	4	4									
Bahamas	1					1		1			
Barbadoes	10	10									
Bermuda	20	18	2		2						
Brazil	80	20	2		2	2	1	1			
British Columbia	6	0									
British Guiana	2	2									
Cape Breton	8	8									
Chile	93	82	7	6	1	4	1	3			
Cuba	151	100	41	28	13	13	9	4			
Guatemala	2	2									
Haiti	4	4									
Honduras	1					1		1			
Jamaica	19	10	6	4	2	3	1	2			
Mexico	1,853	1,452	325	314	11	69	47	22	7	3	4
Panama	8	8									
Peru	16	14				1	1				
Puerto Rico	4	4									
Santa Cruz	1					1		1			
Santo Domingo	4	2	2		2						
Trinidad	4	4									
West Indies, not specified	122	92	16	10	6	12	4	8	2		2
Central America, not specified	11	8							3		8
North America, not specified	3		3	2	1						
South America, not specified	138	86	49	44	5	2	1	1	1		1
America, not specified	14	12				2	1	1			
Europe	228,651	132,078	85,577	78,114	7,463	8,885	5,624	3,261	2,111	1,036	1,075
England	19,758	12,958	5,146	3,636	1,510	1,452	955	497	202	110	92
Scotland	5,901	3,530	1,868	1,078	790	502	328	174	61	80	31
Wales	1,435	920	398	306	92	99	60	39	18	10	8
Ireland	120,078	62,216	52,772	59,106	2,666	4,160	2,419	1,741	930	435	495
Austria	1,426	1,184	218	188	30	8	5	3	16	6	10
Azore Islands	24	16	7	6	1	1	1				
Bavaria	81	60	24	20	4						
Belgium	279	212	61	42	19	5	5		1		1
Bohemia	748	578	151	134	17	7	4	3	12	4	8
Bulgaria	2	2									
Canary Islands	6	6									
Corsica	5	4	1		1						
Denmark	968	788	150	114	36	27	21	6	3		3
Fayal	4	4									
Finland	272	252	18	12	6				2		2
France	4,293	2,452	1,453	970	483	316	241	75	72	50	22
Germany	52,607	31,406	18,742	17,504	1,238	1,821	1,344	477	538	298	240
Gibraltar	3	2	1		1						
Greece	61	52	5	2		4	4				
Greenland	1					1	1				
Guernsey	2	2									
Holland	850	620	198	140	58	30	18	12	11	5	6
Hungary	932	848	59	50	9	1	1		24	11	18
Iceland	7	6							1		1
Isle of Man	35	30	5	4	1						
Italy	4,881	3,574	1,070	974	96	225	51	174	12	10	2
Lapland	4	4									
Madeira Islands	2	2									
Malta	14	14									
Norway	2,414	1,840	543	494	49	12	5	7	10	1	18
Poland	1,948	1,350	519	512	37	6	8	3	43	10	33
Portugal	209	122	71	60	11	13	11	2	3	3	
Prussia	107	72	27	16	11	5	4	1	3	2	1
Roumania	148	128	18	18					2		2
Russia	2,348	1,644	613	558	57	22	21	1	69	18	51
St. Helena	6	6									
Scandinavia, not specified	92	62	29	18	11				1		1
Sicily	14	14									
Spain	262	124	86	38	48	43	30	13	9	5	4

a See footnote on page 24.

BIRTHPLACES OF FOREIGN PARENTS OF WHITE INMATES.	Total foreign parents.	Foreign parents of foreign inmates.	FOREIGN PARENTS OF NATIVE INMATES.								
			Parents foreign.			One parent foreign.			One parent unknown.		
			Total.	Same nationality.	Different nationality.	Total.	Father foreign.	Mother foreign.	Total.	Father foreign.	Mother foreign.
<i>Europe—Continued.</i>											
Sweden.....	4,239	3,316	822	726	96	59	36	23	42	13	29
Switzerland.....	1,878	1,510	297	218	79	55	47	8	16	14	2
Turkey.....	45	44	1	1	1						
Western Islands.....	18	12	6	6	1						
Europe, not specified.....	272	92	168	166	2	11	9	2	1	1	
Asia.....	295	252	35	26	9	7	5	2	1	1	
Arabia.....	48	42	6	6							
Armenia.....	36	30	6	4	2						
Asia Minor.....	2	2									
Ceylon.....	2	2									
China.....	32	20	9	4	5	3	3				
East Indies, not specified.....	43	36	5	4	1	1	1		1	1	
India.....	38	34	4	4							
Japan.....	12	12									
Java.....	3	2	1		1						
Jerusalem.....	7	6				1		1			
Palestine, not specified.....	4		4	4							
Persia.....	9	8				1	1				
Siberia.....	4	4									
Syria.....	53	52				1		1			
Asia, not specified.....	2	2									
Africa.....	39	32	4	2	2	3	1	2			
Algiers.....	1					1		1			
Cape Verde Islands.....	1					1	1				
Cape of Good Hope.....	2	2									
Egypt.....	9	6	2	2		1		1			
South Africa.....	4	4									
Africa, not specified.....	22	20	2		2						
Australia and New Zealand.....	291	244	35	20	15	12	4	8			
New South Wales.....	11	8	2		2	1	1				
New Zealand.....	28	26	1		1	1		1			
Sale Colony.....	2	2									
Australia, not specified.....	250	208	32	20	12	10	3	7			
Polynesia.....	38	34	4	4							
Fiji Islands.....	2		2	2							
Hawaii.....	12	10	2	2							
Philippine Islands.....	10	10									
Samoa.....	2	2									
Sandwich Islands, not specified.....	12	12									
Born at sea.....	212	174	12		12	22	10	12	4	3	1

The following is a summary of the foregoing table:

BIRTHPLACES OF FOREIGN PARENTS OF WHITE INMATES.	Total foreign parents.	Foreign parents of foreign inmates.	FOREIGN PARENTS OF NATIVE INMATES.								
			Parents foreign.			One parent foreign.			One parent unknown.		
			Total.	Same nationality.	Different nationality.	Total.	Father foreign.	Mother foreign.	Total.	Father foreign.	Mother foreign.
Total.....	243,391	142,614	88,626	80,510	8,116	9,849	6,149	3,700	2,302	1,113	1,189
America.....	13,865	9,800	2,959	2,344	615	920	505	415	186	73	113
Europe.....	228,651	132,078	85,577	78,114	7,463	8,885	5,624	3,261	2,111	1,036	1,075
Asia.....	295	252	35	26	9	7	5	2	1	1	
Africa.....	39	32	4	2	2	3	1	2			
Australia and New Zealand.....	291	244	35	20	15	12	4	8			
Polynesia.....	38	34	4	4							
Born at sea.....	212	174	12		12	22	10	12	4	3	1

(4) FOREIGN WHITE INMATES OF INSTITUTIONS.—The foreign white inmates are distributed among the several classes of institutions named, by birthplaces, as shown in the following table:

BIRTHPLACES OF FOREIGN WHITE INMATES.	Total foreign white inmates.	Prisoners.	Juvenile offenders.	Paupers in almshouses.	INMATES OF BENEVOLENT INSTITUTIONS.				
					Total.	For children. (a)	For adults. (a)	Hospitals. (a)	Miscellaneous. (a)
Total	71,307	15,932	1,405	27,048	26,322	5,444	9,123	10,426	1,529
America	4,900	2,251	222	1,034	1,393	542	287	445	119
Canada (English)	3,557	1,481	204	815	1,057	371	201	381	104
Canada (French)	266	99	8	100	150	90	36	20	4
Argentine Republic	2	2							
Barbadoes	5	1			4			4	
Bermuda	9		1	1	7	4	1	2	
Brazil	13	4			9	1	4	4	
British Columbia	3	3							
British Guiana	1			1					
Capa Breton	4				4			4	
Chile	41	8	1	31	1		1		
Cuba	50	13	1	5	31	23	2	3	8
Guatemala	1				1	1			
Haiti	2			2					
Jamaica	5	2			3			2	1
Mexico	726	604	2	42	78	37	19	16	6
Panama	4	1			3	3			
Peru	7	3		3	1	1			
Puerto Rico	2				2	1		1	
Santa Cruz									
Santo Domingo	1				1		1		
Trinidad	2	1			1		1		
West Indies, not specified	46	11		5	30	5	18	7	
North America, not specified									
Central America, not specified	4	1		1	2	1		1	
South America, not specified	43	11	5	19	8	4	3		1
America, not specified	6	6							
Europe	66,029	13,531	1,177	26,569	24,762	4,827	8,810	9,932	1,109
England	6,479	1,914	101	1,958	2,418	629	845	776	109
Scotland	1,765	479	45	575	606	145	207	267	47
Wales	400	69	7	256	103	30	28	47	3
Ireland	31,108	5,559	273	14,128	11,148	1,239	4,865	4,359	685
Austria	591	173	2	85	321	100	48	171	2
Azore Islands	8	1		3	4	1	2	1	
Bavaria	50	8		9	13	3	7	3	
Belgium	106	26	3	31	46	10	10	12	5
Bohemia	289	36	12	170	71	20	14	34	3
Bulgaria	1				1			1	
Canary Islands	3	1	1		1			1	
Corsica	2	1		1					
Denmark	394	113	5	114	162	23	84	102	0
Fayal	2				2			2	
Finland	126	38	2	41	45	4	11	30	
France	1,226	278	28	410	510	121	205	162	22
Germany	15,702	2,936	316	6,773	5,677	973	1,988	2,525	101
Gibraltar	1	1							
Greece	26	16		1	9	1	1	7	
Guernsey	1				1				
Holland	310	61	9	138	102	20	40	39	8
Hungary	424	130	7	40	238	154	33	40	2
Iceland	3			1	2			2	
Isle of Man	15	4		6	5			1	
Italy	1,737	562	143	145	937	615	54	258	10
Lapland	2			2					
Madeira Islands	1				1				1
Malta	7	3		4					
Moravia	1			1					
Norway	920	208	24	369	319	72	43	193	11
Poland	675	149	42	219	265	85	25	144	11
Portugal	61	0	3	27	22	7	5	10	
Prussia	36	21		1	14	1	7	5	1
Roumania	64		1	1	62	50	5	7	
Russia	822	171	18	64	569	297	101	170	1
St. Helena	3			1	2	1		1	
Saxony	1			1					
Scandinavia, not specified	31		4		27	1	4	23	
Sicily	7	3			4	3		1	
Spain	62	26	2	14	20	3	10	6	1
Sweden	1,558	348	18	646	646	116	123	392	15
Switzerland	755	154	15	309	277	64	79	127	7
Turkey	22	6	5	2	9	4	1	3	1
Western Islands	6		1		3		1	2	
Europe, not specified	40	6		5	35	35			

a These figures are not shown in like classification in the principal tables, but they are derived from returns to the office.

BIRTHPLACES OF FOREIGN WHITE INMATES.	Total foreign white inmates.	Prisoners.	Juvenile offenders.	Paupers in almshouses.	INMATES OF BENEVOLENT INSTITUTIONS.				
					Total.	For children.	For adults.	Hospitals.	Miscellaneous.
Asia.....	126	41	1	6	78	42	9	20	7
Arabia.....	21	12	1	2	6	2		4	
Armenia.....	15	1			14	11		3	
Asia Minor.....	1	1							
Ceylon.....	1				1	1			
China.....	10	4		2	4	1		2	1
East Indies, not specified.....	18	12		2	4		1		1
India.....	17	4			13	6	2	5	
Japan.....	6	2			4	4			
Java.....	1				1		1		
Jerusalem.....	3				3	3			
Persia.....	4	1			3			2	1
Siberia.....	2	2							
Syria.....	26	2			24	13	5	2	4
Asia, not specified.....	1				1	1			
Africa.....	16	6		1	9	7		2	
Cape of Good Hope.....	1	1							
Egypt.....	3	2			1	1			
South Africa.....	2	2							
Africa, not specified.....	10	1		1	8	6		2	
Australia and New Zealand.....	122	67	1	11	43	19	5	15	4
New South Wales.....	4	2		2					
New Zealand.....	13	6			7	2	2	3	
Sale Colony.....	1	1							
Australia, not specified.....	104	58	1	9	36	17	3	12	4
Polynesia.....	17	2		2	13	3	4	6	
Hawaii.....	5				5		1	4	
Philippine Islands.....	5				5		3	2	
Samoa.....	1				1	1			
Sandwich Islands, not specified.....	6	2		2	2	2			
Born at sea.....	87	34	4	25	24	4	8	6	6

The following is a summary of the foregoing table:

NUMBERS.

BIRTHPLACES OF FOREIGN WHITE INMATES.	Total foreign white inmates.	Prisoners.	Juvenile offenders.	Paupers in almshouses.	INMATES OF BENEVOLENT INSTITUTIONS.				
					Total.	For children.	For adults.	Hospitals.	Miscellaneous.
Total.....	71,307	15,932	1,405	27,048	26,322	5,444	9,123	10,426	1,329
America.....	4,900	2,251	222	1,034	1,393	542	287	445	119
Europe.....	66,059	13,531	1,177	26,569	24,762	4,827	8,810	9,932	1,193
Asia.....	126	41	1	6	78	42	9	20	7
Africa.....	16	6		1	9	7		2	
Australia and New Zealand.....	122	67	1	11	43	19	5	15	4
Polynesia.....	17	2		2	13	3	4	6	
Born at sea.....	87	34	4	25	24	4	8	6	6

PERCENTAGES.

Total.....	100.00	100.00	100.00	100.00	100.00	100.00	100.00	100.00	100.00
America.....	6.87	14.13	15.80	3.74	5.20	9.99	3.15	4.27	8.95
Europe.....	92.61	84.93	83.78	96.10	94.07	88.06	96.57	95.26	80.77
Asia.....	0.18	0.26	0.07	0.02	0.30	0.77	0.10	0.19	0.53
Africa.....	0.02	0.04		a 0.00	0.04	0.13		0.02	
Australia and New Zealand.....	0.18	0.42	0.07	0.04	0.16	0.35	0.05	0.14	0.30
Polynesia.....	0.02	0.01		0.01	0.05	0.06	0.04	0.06	
Born at sea.....	0.12	0.21	0.28	0.09	0.09	0.07	0.09	0.06	0.45

a Less than five-thousandths of 1 per cent.

The number of foreign white paupers in almshouses is 27,648; of inmates of benevolent institutions, 26,322; of prisoners, 15,932; and of juvenile offenders, 1,405.

CRIME, PAUPERISM, AND BENEVOLENCE.

The inmates of penal and charitable institutions from Great Britain, Ireland, and Germany, the three principal sources of supply of immigrants, by classes of institutions, are as follows:

NUMBERS.

BIRTHPLACES.	Total.	Prisoners.	Juvenile offenders.	Paupers in almshouses.	INMATES OF BENEVOLENT INSTITUTIONS.				
					Total.	For children.	For adults.	Hospitals.	Miscellaneous.
Great Britain.....	8,704	2,482	243	2,787	3,192	804	1,080	1,090	218
Ireland.....	31,108	5,559	273	14,128	11,148	1,239	4,865	4,359	985
Germany.....	15,702	2,936	316	6,773	5,677	973	1,988	2,525	191

PERCENTAGES.

Great Britain.....	12.21	15.58	17.29	10.08	12.13	14.77	11.84	10.45	16.40
Ireland.....	43.02	34.89	19.48	51.10	42.35	22.76	53.33	41.81	51.54
Germany.....	22.02	18.43	22.49	24.50	21.57	17.87	21.79	24.22	14.87

(5) FOREIGN PARENTAGE BY SEX OF PARENTS AND OF INMATES.—The following table shows the distribution of foreign parents (a), fathers and mothers, of white inmates, male and female, of institutions, by nationalities:

BIRTHPLACES OF FOREIGN PARENTS OF WHITE INMATES.	FOREIGN PARENTS OF—			FOREIGN FATHERS OF—			FOREIGN MOTHERS OF—		
	White inmates.	Male.	Female.	White inmates.	Male.	Female.	White inmates.	Male.	Female.
Total.....	243,391	154,659	88,732	122,832	78,076	44,806	120,509	76,583	43,926
America.....	13,865	9,825	4,040	6,906	4,910	1,996	6,959	4,015	2,044
Canada (English).....	10,236	7,040	3,190	5,077	3,501	1,576	5,159	3,539	1,620
Canada (French).....	1,093	732	365	551	370	181	547	363	184
Argentine Republic.....	4	4	—	2	2	—	2	2	—
Bahamas.....	1	—	1	—	—	—	1	—	1
Barbadoes.....	10	2	8	5	1	4	5	1	4
Bermuda.....	20	13	7	11	7	4	9	6	3
Brazil.....	30	22	8	16	12	4	14	10	4
British Columbia.....	6	6	—	3	3	—	3	3	—
British Guiana.....	2	2	—	1	1	—	1	1	—
Cape Breton.....	8	4	4	4	2	2	4	2	2
Chile.....	93	84	9	46	41	5	47	43	4
Cuba.....	154	89	65	84	51	33	70	38	32
Guatemala.....	2	—	2	1	—	1	1	—	1
Haiti.....	4	2	2	2	1	1	2	1	1
Honduras.....	1	—	1	—	—	—	1	—	1
Jamaica.....	19	12	7	9	5	4	10	7	3
Mexico.....	1,853	1,639	214	938	830	108	915	809	106
Panama.....	8	8	—	4	4	—	4	4	—
Peru.....	15	12	3	8	6	2	7	6	1
Puerto Rico.....	4	—	4	2	—	2	2	—	2
Santa Cruz.....	1	—	1	—	—	—	1	—	1
Santo Domingo.....	4	—	4	1	—	1	3	—	3
Trinidad.....	4	2	2	2	1	1	2	1	1
West Indies, not specified.....	122	69	53	58	32	26	64	37	27
North America, not specified.....	3	—	3	2	—	2	1	—	1
Central America, not specified.....	11	9	2	4	3	1	7	6	1
South America, not specified.....	138	63	75	68	32	36	70	31	39
America, not specified.....	14	10	4	7	5	2	7	5	2
Europe.....	228,651	144,218	84,433	115,540	72,856	42,681	113,111	71,362	41,740
England.....	19,758	13,182	6,576	10,189	6,805	3,384	9,569	6,377	3,192
Scotland.....	5,961	4,047	1,914	3,074	2,065	970	2,887	1,952	935
Wales.....	1,435	996	439	734	506	228	701	490	211
Ireland.....	120,078	71,042	40,036	59,061	35,566	24,395	60,117	35,476	24,641
Austria.....	1,424	1,076	348	710	538	172	714	538	176
Azore Islands.....	24	17	7	13	9	4	11	8	3
Bavaria.....	54	58	26	43	30	13	41	28	13
Belgium.....	279	196	83	145	99	46	134	97	37
Bohemia.....	748	430	318	368	213	155	360	217	143
Bulgaria.....	2	2	—	1	—	—	1	—	—
Canary Islands.....	6	6	—	3	—	—	3	—	—
Corsica.....	5	5	—	3	—	—	2	—	—
Denmark.....	968	703	265	494	354	140	474	349	125
Fayal.....	4	—	—	2	—	—	2	—	—
Finland.....	272	225	47	136	112	24	136	113	23
France.....	4,283	2,871	1,422	2,302	1,505	797	1,991	1,366	625
Germany.....	52,505	34,861	17,644	26,940	17,783	9,157	25,565	17,078	8,487
Gibraltar.....	3	—	—	2	—	—	1	—	—
Greece.....	61	53	8	33	26	7	28	27	1
Greenland.....	1	—	—	1	—	—	1	—	—

a See footnote on page 24.

BIRTHPLACES OF FOREIGN PARENTS OF WHITE INMATES.	FOREIGN PARENTS OF—			FOREIGN FATHERS OF—			FOREIGN MOTHERS OF—		
	White inmates.	Male.	Female.	White inmates.	Male.	Female.	White inmates.	Male.	Female.
Europe—Continued.									
Guernsey.....	2		2	1		1	1		1
Holland.....	853	613	240	436	314	122	417	299	118
Hungary.....	932	671	261	469	337	132	463	334	129
Iceland.....	7	2	5	3	1	2	4	1	3
Isle of Man.....	35	21	14	17	10	7	18	11	7
Italy.....	4,881	3,522	1,359	2,409	1,700	709	2,479	1,822	650
Lapland.....	4	4		2	2		2	2	
Madeira Islands.....	2		2	1			1		1
Malta.....	14	13	2	7	6	1	7	6	1
Moravia.....	2	2		1	1		1	1	
Netherlands.....	6	3	3	3	1	2	3	2	1
Norway.....	2,414	1,675	739	1,198	833	365	1,216	842	374
Poland.....	1,948	1,369	579	962	682	280	986	687	299
Portugal.....	209	139	70	112	73	39	87	60	31
Prussia.....	107	91	16	59	50	9	48	41	7
Romania.....	148	91	57	73	45	28	75	46	29
Russia.....	2,348	1,626	722	1,184	815	369	1,164	811	353
St. Helena.....	6	2	4	3	1	2	3	1	2
Saxony.....	2	2		1	1		1		
Scandinavia, not specified.....	92	62	30	48	33	15	44	29	15
Sicily.....	14	8	6	7	4	3	7	4	3
Spain.....	262	184	78	138	98	40	124	86	38
Sweden.....	4,239	2,892	1,347	2,122	1,454	668	2,117	1,438	679
Switzerland.....	1,878	1,327	551	958	680	278	920	647	273
Turkey.....	45	43	2	23	22	1	22	21	1
Western Islands.....	18	18		9	9		9	9	
Europe, not specified.....	272	62	210	140	32	108	132	30	102
Asia.....	295	202	93	151	103	48	144	99	45
Arabia.....	48	42	6	24	21	3	24	21	3
Armenia.....	36	7	29	18	4	14	18	3	15
Asia Minor.....	2	2		1	1		1	1	
Ceylon.....	2		2	1		1	1		1
China.....	32	23	9	20	14	6	12	9	3
East Indies, not specified.....	43	39	4	22	20	2	21	19	2
India.....	38	26	12	19	13	6	19	13	6
Japan.....	12	10	2	6	5	1	6	5	1
Java.....	3	3		1	1		2	2	
Jerusalem.....	7	7		3	3		4	4	
Palestine, not specified.....	4	4		2	2		2	2	
Persia.....	9	6	3	5	3	2	4	3	1
Siberia.....	4	4		2	2		2	2	
Syria.....	53	27	26	26	13	13	27	14	13
Asia, not specified.....	2	2		1	1		1	1	
Africa.....	39	24	15	18	11	7	21	13	8
Algiers.....	1	1					1	1	
Cape Verde Islands.....	1	1		1	1				
Cape of Good Hope.....	2		2			1			1
Egypt.....	9	6	3	4	3	1	5	3	2
South Africa.....	4	4		2	2		2	2	
Africa, not specified.....	22	12	10	10	5	5	12	7	5
Australia and New Zealand.....	291	225	66	142	113	29	140	112	27
New South Wales.....	11	9	2	5	5		6	4	2
New Zealand.....	28	19	9	14	10	4	14	9	5
Solo Colony.....	2	2		1	1		1	1	
Australia, not specified.....	250	195	55	122	97	25	128	98	30
Polynesia.....	38	32	6	19	16	3	19	16	3
Fiji Islands.....	2	2		1	1		1	1	
Hawaii.....	12	10	2	6	5	1	6	5	1
Philippine Islands.....	10	10		5	5		5	5	
Samoa.....	2		2	1		1	1		1
Sandwich Islands, not specified.....	12	10	2	6	5	1	6	5	1
Born at sea.....	212	133	79	106	67	39	106	66	40

The following is a summary of the foregoing table, showing the birthplaces of foreign parents (a) of white inmates, by grand divisions:

BIRTHPLACES OF FOREIGN PARENTS OF WHITE INMATES.	FOREIGN PARENTS OF—			FOREIGN FATHERS OF—			FOREIGN MOTHERS OF—		
	White inmates.	Male.	Female.	White inmates.	Male.	Female.	White inmates.	Male.	Female.
Total	243,391	154,659	88,732	122,882	78,076	44,806	120,509	70,583	43,926
America	13,865	9,825	4,040	6,906	4,910	1,996	6,959	4,915	2,044
Europe	228,051	144,278	84,493	115,540	72,856	42,684	113,111	71,362	41,749
Asia	295	202	93	151	103	48	144	99	45
Africa	89	24	15	18	11	7	21	13	8
Australia and New Zealand	291	225	66	142	113	29	149	112	37
Polynesia	38	33	6	19	16	3	19	16	3
Born at sea	212	133	79	106	67	39	106	66	40

The foreign fathers of male inmates constitute 32.08 per cent of the entire number; of female inmates, 18.41 per cent; total percentage of foreign fathers, 50.49.

The foreign mothers of male inmates constitute 31.47 per cent of the entire number; of female inmates, 18.04 per cent; total percentage of foreign mothers, 49.51.

The foreign parents of male inmates constitute 63.55 per cent and of female inmates 36.45 per cent of the entire number.

(6) RATIOS TO THE POPULATION.—Statements as to the numbers and percentages of foreign inmates or foreign parents of inmates of institutions born in different countries signify nothing until compared with the corresponding numbers and percentages for the population at large.

For inmates.—In the table following the first column contains the total foreign whites in the United States of each nationality, according to the following classification: Canada and Newfoundland here includes Canada (English) and Canada (French), British Columbia, and Cape Breton; Central America includes Guatemala, Honduras, and Panama (b); South America includes the Argentine Republic, Brazil, British Guiana, Chile, and Peru; West Indies includes Bahamas, Barbadoes, Bermuda, Cuba, Haiti, Jamaica, Puerto Rico, Santa Cruz, Santo Domingo, and Trinidad; England includes Guernsey and the Isle of Man; Austria includes Moravia; Denmark includes Iceland; France includes Corsica; Germany includes Bavaria, Prussia, and Saxony; Italy includes Malta and Sicily; Russia includes Finland and Lapland; Spain includes Gibraltar; the Atlantic islands includes the Azores (not specified), the Canaries, Fayal, Greenland, Madeira, St. Helena, the Western Islands, and the Cape Verde Islands, which elsewhere in this report have been counted with Africa; Europe (not specified) includes Bulgaria and Roumania; India includes Ceylon; the Pacific islands includes Java and the East Indies (not specified).

In columns 2 and 6, inclusive, the number of foreign white inmates is shown by nationalities and by classes of institutions. The remaining 5 columns show the ratios to 1,000,000 of the foreign white population of the same nationalities.

^a See footnote on page 24.

^b Panama is politically in a South American state.

BIRTHPLACES.	Total foreign white population.	NUMBERS.					RATIOS TO 1,000,000.				
		Foreign white inmates.	Prisoners.	Juvenile offenders.	Paupers in almshouses.	Benevolent institutions.	Total.	Prisoners.	Juvenile offenders.	Paupers in almshouses.	Benevolent institutions.
Total.....	9,121,867	71,307	15,932	1,405	27,648	26,322	7,818	1,747	154	3,031	2,886
America.....	1,071,419	4,900	2,251	222	1,034	1,393	4,573	2,101	207	965	1,300
Canada and Newfoundland.....	973,488	3,930	1,583	212	924	1,211	4,037	1,626	218	949	1,244
Mexico.....	76,457	726	604	2	42	78	9,495	7,900	26	549	1,020
Central America.....	1,046	9	2	-----	1	6	8,604	1,912	-----	956	5,736
South America.....	4,619	107	28	6	54	19	23,165	6,062	1,299	11,691	4,113
West Indies.....	15,809	122	28	2	13	79	7,717	1,771	127	822	4,997
America, not specified.....	-----	6	6	-----	-----	-----	-----	-----	-----	-----	-----
Europe.....	8,027,276	66,039	13,531	1,177	20,569	24,762	8,228	1,686	147	3,310	3,085
England.....	907,259	6,495	1,918	191	1,902	2,424	7,160	2,114	211	2,163	2,672
Scotland.....	242,197	1,765	470	45	575	666	7,288	1,978	186	2,374	2,759
Wales.....	100,065	460	89	7	256	108	4,596	889	70	2,538	1,070
Great Britain, not specified.....	946	-----	-----	-----	-----	-----	-----	-----	-----	-----	-----
Ireland.....	1,871,339	31,108	5,559	273	14,128	11,148	16,624	2,971	146	7,550	5,957
Austria.....	123,185	592	173	2	96	321	4,805	1,404	16	779	2,606
Belgium.....	22,629	106	26	3	31	46	4,685	1,149	133	1,370	2,033
Bohemia.....	118,097	289	36	12	170	71	2,447	305	102	1,439	601
Denmark.....	132,523	397	113	5	115	164	2,997	853	38	868	1,288
France.....	113,028	1,238	279	28	411	510	10,864	2,468	248	3,036	4,512
Germany.....	2,784,693	15,769	2,965	316	6,784	5,704	5,662	1,065	113	2,436	2,048
Greece.....	1,877	26	16	-----	1	9	13,852	8,524	-----	533	4,785
Holland.....	81,821	310	61	9	138	102	3,790	746	110	1,087	1,247
Hungary.....	62,409	424	130	7	49	238	6,794	2,083	112	785	3,814
Italy.....	182,342	1,801	568	143	149	941	9,877	3,115	784	817	5,161
Luxemburg.....	2,881	-----	-----	-----	-----	-----	-----	-----	-----	-----	-----
Norway.....	322,660	920	208	24	309	319	2,852	645	74	1,144	989
Poland.....	147,416	675	149	42	219	265	4,580	1,011	285	1,480	1,798
Portugal.....	15,654	61	9	3	27	22	3,897	575	192	1,725	1,405
Russia.....	182,614	950	209	20	107	614	5,202	1,144	110	586	3,362
Scandinavia, not specified.....	-----	31	-----	4	-----	27	-----	-----	-----	-----	-----
Spain.....	6,020	63	27	2	14	20	10,465	4,485	332	2,326	3,322
Sweden.....	478,024	1,658	348	18	646	646	3,468	728	38	1,351	1,351
Switzerland.....	104,060	755	154	15	309	277	7,255	1,480	144	2,969	2,662
Turkey.....	1,823	22	6	5	2	9	12,068	3,201	2,743	1,097	4,937
Atlantic islands.....	9,170	23	3	2	5	13	2,508	327	218	545	1,418
Europe, not specified.....	12,544	111	6	1	6	98	8,849	478	80	478	7,813
Asia.....	6,680	107	29	1	4	73	16,018	4,341	150	599	10,923
China.....	2,070	19	4	-----	2	4	4,830	1,022	-----	966	1,932
India.....	2,045	18	4	-----	-----	14	8,802	1,956	-----	-----	6,846
Japan.....	379	6	2	-----	-----	4	15,931	5,277	-----	-----	10,654
Asia, not specified.....	2,186	73	19	1	2	51	33,394	8,692	457	915	28,330
Africa.....	1,535	16	6	-----	1	9	10,423	3,909	-----	651	5,863
Australia and New Zealand.....	5,938	122	67	1	11	43	20,544	11,283	168	1,852	7,241
Polynesia.....	3,070	36	14	-----	4	18	11,726	4,560	-----	1,303	5,863
Pacific islands.....	1,958	30	12	-----	2	16	15,322	6,129	-----	1,021	8,172
Sandwich Islands.....	1,112	6	2	-----	2	2	5,397	1,799	-----	1,799	1,799
Born at sea.....	5,484	87	34	4	25	24	15,864	6,200	729	4,559	4,379
Other countries.....	465	-----	-----	-----	-----	-----	-----	-----	-----	-----	-----

These ratios are significant in proportion to the number of white immigrants from each of the countries named. According to the figures in the first column, we have in the United States: natives of Germany, 2,784,693; Ireland, 1,871,339; Canada and Newfoundland, 973,488; England, 907,259; Sweden, 478,024; Norway, 322,660; Scotland, 242,197; Russia, 182,614; Italy, 182,342; Poland, 147,416; Denmark, 132,523; Austria, 123,185; Bohemia, 118,097; France, 113,028; Switzerland, 104,060; Wales, 100,065; Holland, 81,821; Mexico, 76,457; Hungary, 62,409; Belgium, 22,629; West Indies, 15,809; Portugal, 15,654; Europe (not specified), 12,544; the Atlantic islands, 9,170; Spain, 6,020; Australia and New Zealand, 5,938; born at sea, 5,484; South America, 4,619; Luxemburg, 2,881; Asia (not specified), 2,186; China, 2,070; India, 2,045; the Pacific islands, 1,958; Greece, 1,877; Turkey, 1,823; Africa, 1,535; Sandwich Islands, 1,112; Central America, 1,046; Great Britain (not specified), 946; all other countries, 465; Japan, 379.

The figures here given do not represent the total foreign population, but merely the total white foreign population. The natives of Asia (not specified), Africa, China, and Japan included in the table are whites born in those countries.

The mass of foreign white inmates (eight-ninths) are from Europe. The whites born in Asia (not specified) furnish the largest number of foreign inmates of institutions to the million of their own kind, 33,394; then follow in order the South Americans, 23,165; the Australians and New Zealanders, 20,544; the Irish, 16,624; those born at sea, 15,864; the whites born in Japan, 15,831; the Pacific islanders, 15,322; the Greeks, 13,852; the Turks, 12,068; the French, 10,864; the Spaniards, 10,465; the whites born in Africa, 10,423; the Italians, 9,877; the Mexicans, 9,495; the Europeans (not specified), 8,849; the East Indians, 8,802; the Central Americans, 8,604; the West Indians, 7,717; the Scotch, 7,288; the Swiss, 7,255; the English, 7,160; the Hungarians, 6,794; the Germans, 5,662; the Sandwich Islanders, 5,397; the Russians, 5,202; the whites born in China, 4,830; the Austrians, 4,805; the Welsh, 4,596; the Poles, 4,580; the Canadians, 4,037; the Portuguese, 3,897; the Hollanders, 3,790; the Swedes, 3,468; the Danes, 2,997; the Norwegians, 2,852; the Atlantic islanders, 2,508; the Bohemians, 2,447.

The order for the different classes is not precisely the same. The 10 American, European, and Australian nationalities which contribute most largely to the prison population by the million are as follows: the Australians and New Zealanders, 11,283; the Greeks, 8,524; the Mexicans, 7,900; the South Americans, 6,062; the Spaniards, 4,485; the Turks, 3,291; the Italians, 3,115; the Irish, 2,971; the French, 2,468; the English, 2,114.

The 10 similar nationalities which contribute most largely to the population of the juvenile reformatories are: the Turks, 2,743; the South Americans, 1,299; the Italians, 784; the whites born in Asia (not specified), 457; the Spaniards, 332; the Poles, 285; the French, 248; the British Americans (Canada and Newfoundland) and the Atlantic islanders, each 218; the English, 211.

The 10 similar nationalities which contribute most largely to the population of the almshouses are: the South Americans, 11,691; the Irish, 7,550; those born at sea, 4,559; the French, 3,636; the Swiss, 2,969; the Welsh, 2,558; the Germans, 2,436; the Scotch, 2,374; the Spaniards, 2,326; the English, 2,163.

The 10 similar nationalities which contribute most largely to the population of the benevolent institutions are: the Europeans (not specified), 7,813; the Irish, 5,957; the Central Americans, 5,736; the Italians, 5,161; the West Indians, 4,997; the Turks, 4,937; the Greeks, 4,795; the French, 4,512; the South Americans, 4,113; the Hungarians, 3,814.

For parents (a) of inmates.—A similar calculation has been made of ratios of the foreign parents (a) of inmates of institutions to the total foreign population of the same nationality, as follows:

BIRTHPLACES.	Total foreign white population.	NUMBERS.					RATIOS TO 1,000,000.				
		Foreign parents.	Parents of—				Total.	Parents of—			
			Prisoners.	Juvenile offenders.	Paupers in almshouses.	Inmates of benevolent institutions.		Prisoners.	Juvenile offenders.	Paupers in almshouses.	Inmates of benevolent institutions.
Total.....	9,121,867	243,391	60,153	11,981	63,580	107,671	20,682	6,594	1,313	6,071	11,804
America.....	1,071,419	13,865	6,036	898	2,500	4,425	12,941	5,634	838	2,339	4,130
Canada and Newfoundland.....	973,488	611,865	64,408	815	2,261	3,881	11,675	4,528	837	2,823	3,987
Mexico.....	76,457	1,853	1,483	13	103	254	24,236	19,397	170	1,347	3,222
Central America.....	1,046	22	4	—	2	16	21,033	3,824	—	1,912	15,297
South America.....	4,819	282	66	59	110	47	61,052	14,289	12,773	23,815	10,175
West Indies.....	15,809	343	75	11	30	227	21,697	4,744	606	1,898	14,359
Europe.....	8,027,276	228,651	53,754	11,065	60,979	102,853	28,484	6,606	1,378	7,597	12,813
England.....	807,259	19,795	6,005	954	4,705	8,131	21,818	6,619	1,051	5,186	8,062
Scotland.....	242,197	5,961	1,996	263	1,892	2,310	24,612	8,241	1,086	6,747	6,538
Wales.....	100,065	1,435	343	60	590	442	14,341	3,428	600	5,806	4,417
Great Britain, not specified.....	946	—	—	—	—	—	—	—	—	—	—
Ireland.....	1,871,339	120,078	20,184	6,111	32,419	52,304	64,167	15,595	3,266	17,924	27,982
Austria.....	123,185	1,426	889	4	192	841	11,576	3,158	92	1,559	6,827
Belgium.....	22,629	279	66	15	80	118	12,329	2,917	663	3,535	5,214
Bohemia.....	118,097	748	64	54	348	262	6,334	711	457	2,947	2,219
Denmark.....	132,523	975	249	20	244	462	7,357	1,879	151	1,841	3,488
France.....	113,028	4,298	1,039	190	975	2,094	38,026	9,193	1,631	8,620	18,626
Germany.....	2,784,693	52,698	10,072	2,415	15,653	24,558	18,924	3,617	867	5,621	8,819
Greece.....	1,877	61	33	3	4	21	32,499	17,581	1,599	2,131	11,188
Holland.....	81,821	859	171	39	309	340	10,499	2,090	477	3,777	4,155
Hungary.....	62,409	932	262	17	103	545	14,931	4,198	272	1,731	8,733
Italy.....	182,342	4,909	1,221	388	325	2,975	26,922	6,696	2,128	1,782	16,316
Luxemburg.....	2,881	—	—	—	—	—	—	—	—	—	—
Norway.....	322,660	2,414	487	123	797	1,007	7,482	1,510	381	2,470	3,121
Poland.....	147,416	1,948	339	103	476	970	13,214	2,399	1,106	3,229	6,580
Portugal.....	15,654	209	87	8	55	109	13,351	2,364	511	3,513	6,903
Russia.....	182,614	2,024	462	56	224	1,862	14,369	2,530	307	1,226	10,306
Scandinavia.....	—	62	11	12	—	69	—	—	—	—	—
Spain.....	6,020	265	103	13	32	117	44,020	17,110	2,359	5,316	19,435
Sweden.....	478,024	4,239	775	90	1,368	2,006	8,868	1,621	188	2,862	4,197
Switzerland.....	104,060	1,878	384	49	654	791	18,047	3,690	471	6,285	7,601
Turkey.....	1,823	45	13	10	4	28	24,685	7,131	5,499	2,194	9,874
Atlantic islands.....	9,170	61	13	4	11	33	6,652	1,418	436	1,199	3,599
Europe, not specified.....	12,544	422	16	4	14	388	38,642	1,276	310	1,116	30,931
Asia.....	6,680	295	94	3	13	185	44,102	14,072	440	1,946	27,695
China.....	2,070	32	11	1	4	16	15,459	5,314	483	1,932	7,730
India.....	2,045	38	10	—	—	28	18,582	4,890	—	—	13,692
Japan.....	379	12	4	—	—	8	81,662	10,554	—	—	21,108
Asia, not specified.....	2,186	213	69	2	0	133	97,438	31,564	915	4,117	60,842
Africa.....	1,535	39	17	1	2	19	25,407	11,075	651	1,803	12,378
Australia and New Zealand.....	5,938	291	163	5	22	101	49,006	27,450	842	3,705	17,009
Polynesia.....	3,070	88	6	—	4	28	12,378	1,954	—	1,303	9,121
Pacific islands.....	1,958	14	2	—	—	12	7,150	1,021	—	—	6,129
Sandwich Islands.....	1,112	24	4	—	4	16	21,583	3,597	—	3,597	14,389
Born at sea.....	5,484	212	83	9	60	60	38,658	15,135	1,641	10,941	10,941
Other countries.....	465	—	—	—	—	—	—	—	—	—	—

If attention is directed to single nationalities, it appears that the 10 countries which furnish the largest ratios of inmates to a million of parents of the same birthplace are as follows:

Ireland, 64,167; Spain, 44,020; France, 38,026; Greece, 32,499; Japan, 31,662; Italy, 26,922; Turkey, 24,685; Scotland, 24,612; Mexico, 24,236; Sandwich Islands, 21,583. The lowest ratios are found in Bohemia, 6,334; Atlantic islands, 6,652; Denmark, 7,357; Norway, 7,482; Sweden, 8,868.

The order for the different classes of institutions is not the same.

The American and European countries which contribute most largely to the parentage of the prison population by the million are as follows: Mexico, 19,397; Greece, 17,581; Spain, 17,110; Ireland, 15,595.

The similar countries which contribute most largely to the parentage of the population of juvenile reformatories are: Turkey, 5,486; Ireland, 3,266; Spain, 2,159; Italy, 2,128.

a See footnote on page 24.

b Includes 14 for America, not specified.

The similar countries which contribute most largely to the parentage of the almshouse population are: Ireland, 17,324; France, 8,626; Switzerland, 6,285; Wales, 5,896; Scotland, 5,747; Germany, 5,621.

The similar countries which contribute most largely to the parentage of the population of benevolent institutions are: Ireland, 27,982; Spain, 19,435; France, 18,526; Italy, 16,316; West Indies, 14,359.

These figures serve as a rough test of the comparative desirability of immigrants of different nationalities, regarded from the point of view of their liability to add to the public burden of pauperism and crime in their own persons or in those of their descendants of the first generation.

The test applied is less accurate where the numbers are small, and the ratios are therefore more or less exceptional.

ADMIXTURE OF BLOOD.

The admixture of blood in the United States is a fact of common observation. The figures obtained in the course of this inquiry into the parentage (a) of the classes covered by this report furnish data too slight, indeed, for any positive deductions or generalizations, but they may be accepted provisionally as indicating the basis of a computation to be hereafter confirmed or disproved by more searching investigation. These data are contained in the tables for each of the classes named, numbered as follows: Table 55 relates to the marital unions between parents of prisoners. Table 148 relates to the marital unions between parents of juvenile offenders. Table 205 relates to the marital unions between parents of paupers in almshouses. Table 284 relates to the marital unions between parents of inmates of benevolent institutions. (a) These four tables are consolidated, and shown in the accompanying chart.

The summary of the totals given in the accompanying chart is as follows:

NATIVITY OF PARENTS.		FATHERS.			
		Total.	Native born.	Foreign born.	Nativity unknown.
MOTHERS.	Total.....	243,627	74,577	122,882	46,168
	Native born.....	78,448	69,285	6,149	3,014
	Foreign born.....	120,509	3,700	115,620	1,189
	Nativity unknown.....	44,670	1,592	1,113	41,965

This statement indicates that 69,285 native men have married native women; 3,700 native men have married foreign women, and 6,149 native women have married foreign men. The disproportion between marriages of the two latter descriptions indicates that, in order to obtain the true number of native children with foreign parents, it is necessary to tally both classes of children. If native children with foreign fathers are alone tallied, the result will appear to be less, and if native children with foreign mothers are alone tallied, greater, than the fact.

The table further indicates that the total number of native fathers is 74,577, but of native mothers, 78,448. The native mothers exceed the native fathers by 3,871. The excess of native mothers is partially explainable by the fact that the preponderance of males over females is larger among the foreign born than among the native population, but whether this is a complete explanation or not, the broad fact is that native women are more likely to marry foreign men than native men are to marry foreign women.

No light is thrown upon the question of international or interracial marriages, by marriages in which both parents are native, or in which the nativity of either party is unknown. The number of cases in which both parents are foreign is 115,620, and those in which one parent is foreign and the other native, 9,849. Considering marriages alone, and not parents, the ratio of international marriages in which both parties are foreign to the foreign white population is 445 to the million, but the ratio of international marriages in which one party is native to the native white population is 215 to the million, or less than one-half the former. This might be the result of a preference on the part of foreigners for foreigners, or a certain reluctance on the part of natives to marry foreigners. But when the foreign-native marriages are separated into two groups, it appears that 6,149 foreign men have married native women, while only 3,700 foreign women have married native men.

CONCLUSIONS.

The total white population of the United States (54,983,890) is divisible into two parts: native white, 45,862,023; foreign white, 9,121,867.

The white inmates of penal and charitable institutions whose nativity is known (235,782) are also divisible into two groups: native white, 164,475; foreign white, 71,307.

Of the total white population, therefore, 16.59 per cent is foreign born; of the corresponding institution population, 30.24 per cent.

^a See footnote on page 24.

Of the total native white population (45,862,023), the number with native parents is 34,358,348; with foreign parents, 11,503,675. By adding the latter to the foreign population, we find the total number with foreign parents to be 20,625,542. The percentage of those with native parents is 62.49; of those with foreign parents, 37.51.

We have seen, however, that the nativity of 396,416 parents of inmates of institutions is known, and that the percentage of native parents is 38.60, but of foreign parents, 61.40.

In other words, if attention is confined to the nativity of the inmates of institutions, 16.59 per cent of the entire population furnishes 30.24 per cent of the institution population. But if attention is directed to the nativity of the parents (a) of inmates, 37.51 per cent of the entire population furnishes 61.40 per cent of the entire institution population.

The latter of these two showings is rather more favorable to the foreign element in the United States than the former, and illustrates the improvement in respect of ability for self-control and self-support, which is the result of the changed condition of immigrants.

It will be observed that thus far the classification of the foreign born has been mainly by individual nations.

The following tables have been made according to groups of kindred countries.

The distribution of foreign parents (a) of white inmates of institutions, by groups of countries and by classes of institutions, is shown in the following statement:

NUMBERS.

BIRTHPLACES OF FOREIGN PARENTS OF WHITE INMATES.	Foreign parents.	PARENTS OF—							
		Prisoners.	Juvenile offenders.	Paupers in almshouses.	Inmates of benevolent institutions.				
					Total.	For children.	For adults.	Hospitals.	Miscellaneous.
Total	243,391	60,153	11,981	63,586	107,671	51,742	20,837	27,925	7,167
North and South America.....	13,865	6,036	898	2,506	4,425	2,045	929	1,089	362
Great Britain and Ireland.....	147,269	37,528	7,388	39,106	63,247	29,260	13,242	15,514	5,231
Germanic nations.....	57,140	11,082	2,522	16,888	26,648	12,871	4,976	7,566	1,235
Scandinavian nations.....	7,628	1,511	233	2,400	3,475	1,393	485	1,532	65
Slav nations.....	6,252	1,147	290	1,156	3,659	2,220	387	987	56
Latin nations.....	9,742	2,433	602	1,891	5,316	3,332	733	1,074	177
All other nations.....	1,495	416	48	130	901	612	85	163	41

PERCENTAGES.

Total	100.00	100.00	100.00	100.00	100.00	100.00	100.00	100.00	100.00
North and South America.....	5.70	10.03	7.50	3.94	4.11	3.95	4.40	3.90	5.05
Great Britain and Ireland.....	60.51	62.39	61.66	61.50	58.74	56.55	63.55	55.56	72.99
Germanic nations.....	23.48	18.42	21.05	26.56	24.75	24.88	23.88	27.09	17.23
Scandinavian nations.....	3.13	2.51	1.95	3.79	3.23	2.69	2.33	5.40	0.91
Slav nations.....	2.57	1.91	2.42	1.82	3.40	4.31	1.85	3.53	0.78
Latin nations.....	4.00	4.65	5.02	2.19	4.94	6.44	3.52	3.85	2.47
All other nations.....	0.61	0.69	0.40	0.20	0.83	1.13	0.41	0.58	0.57

a See footnote on page 24.

CRIME, PAUPERISM, AND BENEVOLENCE.

The following statement exhibits the distribution of foreign parents of white inmates, by nativity:

NUMBERS.

BIRTHPLACES OF FOREIGN PARENTS OF WHITE INMATES.	Total foreign parents.	Foreign parents of foreign inmates.	FOREIGN PARENTS OF NATIVE INMATES.								
			Parents foreign.			One parent foreign.			One parent unknown.		
			Total.	Same nationality.	Different nationality.	Total.	Father foreign.	Mother foreign.	Total.	Father foreign.	Mother foreign.
Total	243,391	142,614	83,626	80,510	8,116	9,849	6,149	3,700	2,302	1,114	1,188
North and South America.....	13,805	9,800	2,959	2,344	615	920	505	415	186	73	113
Great Britain and Ireland.....	147,234	79,624	60,186	55,128	5,058	6,213	3,762	2,451	1,211	585	626
Germanic nations.....	56,945	34,928	19,516	18,092	1,424	1,919	1,419	500	532	323	259
Scandinavian nations.....	7,622	5,944	1,515	1,334	181	98	62	36	65	14	51
Slav nations.....	5,970	4,420	1,372	1,252	120	36	29	7	148	43	105
Latin nations.....	9,706	6,324	2,085	2,044	641	601	337	264	96	68	28
All other nations.....	2,043	1,574	393	310	77	62	35	27	14	8	6

PERCENTAGES.

	100.00	100.00	100.00	100.00	100.00	100.00	100.00	100.00	100.00	100.00	100.00
Total	100.00	100.00	100.00	100.00	100.00	100.00	100.00	100.00	100.00	100.00	100.00
North and South America.....	5.70	6.87	3.34	2.91	7.58	9.34	8.21	11.22	8.08	6.55	9.51
Great Britain and Ireland.....	60.49	55.83	67.91	63.47	62.32	63.63	61.18	66.24	52.61	52.51	52.69
Germanic nations.....	23.40	24.49	22.02	22.47	17.54	19.48	23.08	13.51	25.23	29.00	21.80
Scandinavian nations.....	3.13	4.17	1.71	1.60	2.23	1.00	1.01	0.97	2.82	1.26	4.29
Slav nations.....	2.45	3.10	1.55	1.56	1.48	0.37	0.47	0.19	6.43	3.86	8.84
Latin nations.....	3.99	4.44	3.03	2.54	7.90	6.10	5.48	7.14	4.17	6.10	2.30
All other nations.....	0.84	1.10	0.44	0.39	0.95	0.63	0.57	0.73	0.61	0.72	0.51

The numbers and ratios of foreign white parents to 1,000,000 of the foreign white population for each group, by classes of inmates, are as follows:

BIRTHPLACES.	Total foreign white population.	NUMBERS.					RATIOS TO 1,000,000.				
		Foreign parents.	Parents of—				Total.	Parents of—			
			Prisoners.	Juvenile offenders.	Paupers in almshouses.	Inmates of benevolent institutions.		Prisoners.	Juvenile offenders.	Paupers in almshouses.	Inmates of benevolent institutions.
Total	9,121,867	243,891	60,153	11,981	63,586	107,671	26,682	6,594	1,313	6,971	11,804
North and South America.....	1,071,419	13,805	6,036	898	2,506	4,425	12,941	5,634	838	2,339	4,130
Great Britain and Ireland.....	3,121,806	147,269	37,528	7,388	39,106	63,247	47,174	12,021	2,366	12,527	20,260
Germanic nations.....	3,119,269	57,140	11,082	2,522	16,883	26,648	18,318	3,553	808	5,414	8,543
Scandinavian nations.....	923,207	7,622	1,511	233	2,409	3,475	8,174	1,619	250	2,581	3,724
Slav nations.....	510,536	6,252	1,147	290	1,156	3,659	12,246	2,247	568	2,204	7,167
Latin nations.....	318,921	9,742	2,433	602	1,391	5,816	30,547	7,629	1,888	4,361	16,099
All other nations.....	46,709	1,495	416	48	130	901	32,007	8,966	1,028	2,783	19,290

The above ratios may be compared with the following numbers and ratios of foreign white inmates, which are not so large:

BIRTHPLACES.	Total foreign white population.	NUMBERS.					RATIOS TO 1,000,000.				
		Foreign inmates.	Prisoners.	Juvenile offenders.	Paupers in almshouses.	Inmates of benevolent institutions.	Total.	Prisoners.	Juvenile offenders.	Paupers in almshouses.	Inmates of benevolent institutions.
Total	9,121,867	71,307	15,932	1,405	27,648	26,322	7,818	1,747	154	3,031	2,886
North and South America.....	1,071,419	4,900	2,251	223	1,034	1,393	4,573	2,101	207	965	1,300
Great Britain and Ireland.....	3,121,806	39,823	8,045	516	16,921	14,346	12,757	2,577	165	5,420	4,595
Germanic nations.....	3,119,269	17,532	3,379	345	7,858	6,450	5,021	1,083	111	2,359	2,068
Scandinavian nations.....	923,207	2,979	669	51	1,129	1,129	3,193	717	55	1,211	1,210
Slav nations.....	510,536	2,338	524	81	545	1,188	4,580	1,026	150	1,068	2,827
Latin nations.....	318,921	3,179	899	176	602	1,502	9,969	2,819	552	1,888	4,710
All other nations.....	46,709	551	165	14	58	314	11,797	3,533	300	1,242	6,722

The ratios for Great Britain and Ireland are in all cases the highest, except for foreign inmates of prisons and juvenile reformatories. The ratios for the Scandinavians are in all cases the lowest, except in almshouses. The Slavs are next to the Scandinavians at the bottom of the list in prisons. In the prisons and the reformatories the Latins show the highest averages. The foreign Americans and the Germanic nations occupy a middle place between the two extremes.

NATURALIZATION.

The question as to the naturalization of the foreign born was asked with reference only to male (*a*) inmates of penal and charitable institutions of the age of 21 years and over. In the statements which follow, reformatories for juvenile offenders and institutions for the care of children are not included, because, though there may be in these institutions a few inmates over 21 years of age, the number of such inmates is small. In the prisons, almshouses, hospitals, benevolent institutions for the care of adults, and miscellaneous institutions the number of foreign male inmates over 21 years of age is 44,626. Their distribution by geographical divisions and by classes of institutions is shown in the following statement:

GEOGRAPHICAL DIVISIONS.	Total.	Prisoners.	Paupers.	Inmates of benevolent institutions.
The United States.....	44,626	14,512	16,901	13,123
North Atlantic.....	22,917	7,391	7,788	7,738
South Atlantic.....	1,268	280	454	534
North Central.....	13,822	3,736	6,776	3,310
South Central.....	1,950	863	355	732
Western.....	4,669	2,242	1,618	809

The question as to naturalization was not answered in the majority of cases, particularly as to colored inmates. Generally speaking, negroes are natives of this country, and require no naturalization; Chinese almost without exception (*b*) are aliens, not now entitled to naturalization; Indians are mainly natives; part of them have been admitted to citizenship.

a Women and minors can be naturalized. See footnote *a*, page 2.

b Supplement to United States Revised Statutes, volume I, second edition, 1874-1891, page 342, chapter 120: "Section 14. That hereafter no state court or court of the United States shall admit Chinese to citizenship; and all laws in conflict with this law are hereby repealed." Passed May 6, 1882, Forty-seventh Congress.

CRIME, PAUPERISM, AND BENEVOLENCE.

The number of cases in which the condition of inmates as to naturalization was stated is 42,111, and they are distributed as shown in the following table:

NATURALIZATION.	AGGREGATE.			PRISONERS.			PAUPERS.			INMATES OF BENEVOLENT INSTITUTIONS.		
	Total.	White.	Colored.	Total.	White.	Colored.	Total.	White.	Colored.	Total.	White.	Colored.
The United States.....	42,111	41,368	743	14,512	13,809	643	16,991	16,038	53	10,608	10,561	47
Aliens.....	21,927	21,269	658	8,051	8,006	585	8,094	8,058	36	5,182	5,145	37
Naturalized.....	19,530	19,495	35	5,595	5,537	58	8,750	8,733	17	5,235	5,225	10
Have filed papers.....	604	604	260	260	147	147	191	191
North Atlantic division.....	21,112	20,993	119	7,391	7,307	84	7,788	7,775	13	5,933	5,911	22
Aliens.....	11,425	11,332	93	4,522	4,454	68	3,761	3,753	8	3,142	3,125	17
Naturalized.....	9,450	9,430	26	2,738	2,722	16	3,982	3,977	5	2,736	2,731	5
Have filed papers.....	231	231	181	181	45	45	55	55
South Atlantic division.....	1,207	1,157	50	280	242	38	454	445	9	473	470	3
Aliens.....	556	519	37	183	154	29	225	219	6	148	146	2
Naturalized.....	645	632	13	94	85	9	226	223	3	325	324	1
Have filed papers.....	6	6	3	3	3	3
North Central division.....	13,352	13,272	80	3,736	3,668	68	6,776	6,771	5	2,840	2,833	7
Aliens.....	6,932	6,874	58	2,059	2,010	49	3,526	3,522	4	1,347	1,342	5
Naturalized.....	6,217	6,195	22	1,609	1,590	19	3,188	3,187	1	1,420	1,418	2
Have filed papers.....	203	203	68	68	62	62	73	73
South Central division.....	1,893	1,849	44	863	825	38	355	351	4	675	673	2
Aliens.....	896	861	35	560	536	30	91	88	3	239	237	2
Naturalized.....	951	942	9	282	274	8	262	261	1	407	407
Have filed papers.....	46	46	15	15	2	2	29	29
Western division.....	4,547	4,097	450	2,242	1,827	415	1,618	1,596	22	687	674	13
Aliens.....	2,118	1,683	435	1,321	912	409	491	476	15	300	295	11
Naturalized.....	2,311	2,296	15	872	800	6	1,092	1,085	7	347	345	2
Have filed papers.....	118	118	49	49	35	35	34	34

Reduced to percentages, the result may be summarily shown as follows:

NATURALIZATION.	Total.	Prisoners.	Paupers.	Inmates of benevolent institutions.
Total.....	100.00	100.00	100.00	100.00
Aliens.....	52.07	59.61	47.64	48.85
Naturalized.....	46.50	38.56	51.50	49.35
Have filed papers.....	1.43	1.83	0.86	1.80

From this showing it appears that the number of foreign inmates of penal and charitable institutions who have not been naturalized nor filed their first papers considerably exceeds the number of the naturalized.

Of the prisoners whose condition as to naturalization has been ascertained, 59.61 per cent are aliens; but of paupers in almshouses, only 47.64 per cent, and of inmates of benevolent institutions, 48.85 per cent.

The following is a summary, by geographical divisions, showing only the percentages:

NATURALIZATION.	The United States.	GEOGRAPHICAL DIVISIONS.				
		North Atlantic.	South Atlantic.	North Central.	South Central.	Western.
Total.....	100.00	100.00	100.00	100.00	100.00	100.00
Aliens.....	52.07	54.12	46.06	51.92	47.33	46.58
Naturalized.....	46.50	44.79	53.44	46.56	50.24	50.83
Have filed papers.....	1.43	1.09	0.50	1.52	2.43	2.60

The largest ratios of aliens are found in the North Atlantic and North Central divisions. In the other three geographical divisions the number of naturalized inmates exceeds that of the unnaturalized, except in the case of prisoners.

The distribution of 658 colored, concerning whom a report has been made as to naturalization, is shown in the following table:

GEOGRAPHICAL DIVISIONS AND RACE.	ALIENS.				NATURALIZED.			
	Total.	Inmates of—			Total.	Inmates of—		
		Prisons.	Alms-houses.	Benevolent institutions.		Prisons.	Alms-houses.	Benevolent institutions.
Negroes	219	172	24	23	82	57	17	8
North Atlantic	72	53	7	12	24	16	5	3
South Atlantic	37	29	0	2	13	9	3	1
North Central	51	42	4	5	22	19	1	2
South Central	31	27	3	1	9	8	1
Western	28	21	4	3	14	5	7	2
Chinese	439	413	12	14	3	1	2
North Atlantic	21	15	1	5	2	2
South Atlantic
North Central	7	7
South Central	4	3	1
Western	407	388	11	8	1	1

ABILITY TO SPEAK ENGLISH.

The question "Does this person speak the English language?" was answered in 276,508 cases, and unanswered in 5,622. Of the 276,508 answers, 267,362, or 96.69 per cent, were in the affirmative, and 9,146, or 3.31 per cent, in the negative. The distribution of those who can and those who can not speak the English language, by sex, color, nativity, and race, is shown in the following table:

NUMBERS.

SEX AND CLASSES.	Aggregate.	WHITE.							COLORED.					
		Total white.	Native born.					Foreign born.	Nativity unknown.	Total colored.	Negroes.	Chinese.	Japanese.	Indians.
			Total.	Parents native.	One parent foreign.	Parents foreign.	One or both parents unknown.							
SPEAK ENGLISH.														
Both sexes.....	267,362	229,547	160,795	68,165	9,619	43,474	30,537	62,144	6,608	37,815	36,493	150	14	1,158
Prisoners.....	80,153	55,604	40,272	20,027	2,898	12,541	3,936	14,473	859	24,549	24,216	105	11	217
Juvenile offenders.....	14,788	12,853	11,005	3,242	963	3,959	2,901	1,373	420	1,940	1,927	1	12
Paupers in almshouses.....	66,590	60,241	35,125	20,776	849	2,304	10,196	23,173	1,943	6,549	6,316	6	27
Inmates of benevolent institutions.....	105,821	100,844	74,333	23,220	4,939	23,070	22,504	23,125	3,380	4,977	4,034	38	3	902
Male.....	174,063	144,040	101,536	44,575	6,387	27,089	22,585	38,975	3,535	30,017	29,135	143	13	726
Prisoners.....	73,823	51,251	37,971	20,001	2,718	11,707	3,545	12,458	822	22,572	22,249	105	10	208
Juvenile offenders.....	11,510	9,976	8,626	2,605	721	3,188	2,212	1,116	234	1,534	1,522	1	11
Paupers in almshouses.....	36,768	33,490	18,528	10,684	487	2,032	5,325	14,056	906	3,278	3,262	6	10
Inmates of benevolent institutions.....	51,962	49,329	36,411	11,385	2,461	11,062	11,503	11,345	1,573	2,633	2,102	31	3	497
Female.....	93,299	85,501	59,259	23,590	3,232	15,485	16,952	23,169	3,073	7,798	7,358	7	1	432
Prisoners.....	6,330	4,353	2,301	926	150	834	391	2,015	37	1,977	1,967	1	9
Juvenile offenders.....	3,238	2,832	2,439	737	242	771	689	257	186	406	405	1
Paupers in almshouses.....	20,822	26,751	16,597	10,092	362	1,272	4,871	9,117	1,037	3,071	3,054	17
Inmates of benevolent institutions.....	53,859	51,515	37,922	11,835	2,478	12,608	11,001	11,780	1,813	2,344	1,922	7	405
DO NOT SPEAK ENGLISH.														
Both sexes.....	9,146	8,068	609	332	37	242	88	7,861	108	478	49	308	7	114
Prisoners.....	2,066	1,033	179	98	11	59	11	1,448	6	433	27	299	2	105
Juvenile offenders.....	42	40	8	2	4	2	32	2	2
Paupers in almshouses.....	4,291	4,265	320	187	11	80	42	3,883	62	26	14	7	5
Inmates of benevolent institutions.....	2,747	2,730	192	45	15	99	33	2,498	40	17	6	2	5	4
Male.....	6,137	5,678	408	194	23	146	45	5,207	63	459	41	300	7	105
Prisoners.....	1,997	1,573	167	88	11	58	10	1,400	6	424	25	298	2	99
Juvenile offenders.....	21	19	6	2	2	2	13	2	2
Paupers in almshouses.....	2,731	2,711	150	86	5	39	20	2,529	32	20	11	6	3
Inmates of benevolent institutions.....	1,388	1,375	85	18	7	47	13	1,263	25	13	3	2	5	3
Female.....	3,009	2,990	201	138	14	96	43	2,654	45	19	8	2	9
Prisoners.....	69	60	12	10	1	1	48	9	2	1	6
Juvenile offenders.....	21	21	2	2
Paupers in almshouses.....	1,560	1,554	170	101	6	41	22	1,354	30	6	3	1	2
Inmates of benevolent institutions.....	1,359	1,355	107	27	8	52	20	1,233	15	4	3	1

PERCENTAGES.

Total.....	100.00	100.00	100.00	100.00	100.00	100.00	100.00	100.00	100.00	100.00	100.00	100.00	100.00	100.00
Speak English.....	96.69	96.36	99.57	99.52	99.62	99.45	99.78	88.77	98.39	98.75	99.87	32.75	66.67	91.04
Do not speak English.....	3.31	3.64	0.43	0.48	0.38	0.55	0.22	11.23	1.61	1.25	0.13	67.25	33.33	8.96
Prisoners.....	100.00	100.00	100.00	100.00	100.00	100.00	100.00	100.00	100.00	100.00	100.00	100.00	100.00	100.00
Speak English.....	97.49	97.15	99.56	99.53	99.62	99.53	99.72	90.91	99.31	98.27	99.89	25.99	84.62	67.39
Do not speak English.....	2.51	2.85	0.44	0.47	0.38	0.47	0.28	9.09	0.69	1.73	0.11	74.01	15.38	32.61
Juvenile offenders.....	100.00	100.00	100.00	100.00	100.00	100.00	100.00	100.00	100.00	100.00	100.00	100.00	100.00	100.00
Speak English.....	99.72	99.69	99.93	99.94	100.00	99.90	99.93	97.72	100.00	99.90	99.90	100.00	100.00
Do not speak English.....	0.28	0.31	0.07	0.06	0.10	0.07	2.28	0.10	0.10
Paupers in almshouses.....	100.00	100.00	100.00	100.00	100.00	100.00	100.00	100.00	100.00	100.00	100.00	100.00	100.00	100.00
Speak English.....	93.95	93.30	99.10	99.11	98.72	97.61	99.59	85.65	96.91	99.59	99.78	46.15	84.38
Do not speak English.....	6.05	6.61	0.90	0.89	1.28	2.36	0.41	14.35	3.09	0.41	0.22	53.85	15.62
Inmates of benevolent institutions.....	100.00	100.00	100.00	100.00	100.00	100.00	100.00	100.00	100.00	100.00	100.00	100.00	100.00	100.00
Speak English.....	97.47	97.36	99.74	99.81	99.70	99.53	99.85	90.25	98.83	99.60	99.85	95.00	37.50	98.56
Do not speak English.....	2.53	2.64	0.26	0.19	0.30	0.42	0.15	9.75	1.17	0.40	0.15	5.00	62.50	0.44

The largest percentages of those who do not speak English are found in the almshouses and the smallest in the reformatories for juvenile offenders. If the institutions for children were eliminated from the list of benevolent institutions, the percentage for the latter would approximate that for the almshouses, but would not equal it. Including the institutions for children, the percentage for benevolent institutions and for prisoners is almost identical.

By color, nativity, and race, the largest percentage of those who can not speak English is found among the Chinese, 67.25; next, Japanese, 33.33; white foreign born, 11.23; Indians, 8.96.

The differences in the percentages for the two sexes are slight. The following summary shows what they are in the aggregate, and that there is a slightly larger ratio of women who speak English than of men:

CLASSES.	SPEAK ENGLISH.			DO NOT SPEAK ENGLISH.		
	Both sexes.	Male.	Female.	Both sexes.	Male.	Female.
Total.....	96.69	96.59	96.88	3.31	3.41	3.12
Prisoners.....	97.49	97.37	98.92	2.51	2.63	1.08
Juvenile offenders.....	99.72	99.82	99.37	0.28	0.18	0.63
Paupers in almshouses.....	93.95	93.09	95.03	6.05	6.91	4.97
Inmates of benevolent institutions.....	97.47	97.40	97.54	2.53	2.60	2.46

AGE.

I.—BY CLASSES OF INSTITUTIONS.

The following statement exhibits the ages of inmates of penal and charitable institutions, by quinquennial periods, in the aggregate, and for each class of institutions: (a)

AGES.	Total.	Prisoners.	Juvenile offenders.	Almshouse paupers.	INMATES OF BENEVOLENT INSTITUTIONS.				
					Total.	For children. b	For adults. b	Hospitals. b	Miscellaneous. b
Total.....	282,180	82,329	14,846	73,045	111,910	65,651	17,661	22,473	6,125
Under 5 years.....	11,369	20	21	2,555	8,773	6,351	675	1,580	167
Under 1 year.....	2,551	7	793	1,751	905	115	649	82
1 year.....	1,016	6	380	630	385	60	174	11
2 years.....	1,908	4	4	521	1,379	928	173	262	15
3 years.....	2,559	1	5	454	2,099	1,677	136	254	52
4 years.....	3,335	2	12	407	2,914	2,453	186	241	25
5-9 years.....	29,295	26	797	1,783	26,689	24,164	1,241	997	287
5 years.....	4,089	24	395	3,670	3,181	211	239	89
6 years.....	5,032	53	891	4,588	4,112	232	193	51
7 years.....	5,918	5	90	371	5,452	4,935	274	193	60
8 years.....	6,899	9	202	323	6,365	5,819	272	204	70
9 years.....	7,267	12	338	303	6,614	6,117	252	168	77
10-14 years.....	38,266	665	6,763	1,289	29,549	27,007	830	903	809
10 years.....	8,119	42	582	314	7,181	6,607	248	193	133
11 years.....	7,622	49	892	228	6,453	6,007	180	145	115
12 years.....	8,256	103	1,371	274	6,508	6,005	153	201	149
13 years.....	7,450	184	1,768	232	5,206	4,794	119	175	178
14 years.....	6,819	287	2,150	241	4,141	3,594	124	189	294
15-19 years.....	27,059	8,984	6,750	1,623	9,792	5,885	476	1,438	1,903
15 years.....	5,946	465	2,217	244	3,090	2,399	95	187	319
16 years.....	6,784	1,000	2,169	289	2,326	1,693	197	231	385
17 years.....	5,109	1,063	1,401	322	1,713	1,223	85	264	441
18 years.....	5,227	2,718	654	397	1,458	596	119	315	427
19 years.....	4,993	3,118	399	361	1,295	364	70	440	331
20-24 years.....	27,512	19,705	240	2,759	4,868	789	372	2,740	907
20 years.....	5,272	3,490	160	548	1,074	243	97	497	237
21 years.....	5,288	3,783	40	505	960	159	64	537	209
22 years.....	5,712	4,181	15	528	983	159	70	536	178
23 years.....	5,847	4,364	13	598	992	116	61	566	156
24 years.....	5,393	3,837	12	610	884	112	77	554	141

a The large percentage of miscellaneous offenses charged against boys and girls under 10 years of age is due to the smallness of the total number, owing to the fact that of 46 cases reported the offense charged was in 32 cases not stated. Of these 32, 25 were under 8 years of age, and were probably children of female prisoners who were not separated from their mothers during the term of incarceration of the latter. This must certainly have been the case with the 7 reported under 1 year of age, and 13 under 2 years.

b The figures for this column are not fully shown in like classification in the principal tables, but they are derived from returns to the office.

AGES.	Total.	Prisoners.	Juvenile offenders.	Almshouse paupers.	INMATES OF BENEVOLENT INSTITUTIONS.				
					Total.	For children.	For adults.	Hospitals.	Miscellaneous.
25-29 years.....	23,378	16,348	54	3,426	3,550	319	284	2,499	448
25 years.....	5,483	3,851	10	785	837	86	64	591	96
26 years.....	4,755	3,339	15	643	758	57	69	538	94
27 years.....	4,259	3,013	10	600	630	72	56	433	75
28 years.....	4,925	3,401	8	784	732	65	56	517	94
29 years.....	3,950	2,744	11	614	587	89	39	420	89
30-34 years.....	17,995	11,078	4,147	2,770	163	228	1,992	387
30 years.....	5,483	3,337	1,357	789	64	80	513	132
31 years.....	2,983	1,945	593	445	23	36	331	55
32 years.....	3,532	2,183	780	560	34	42	420	67
33 years.....	3,048	1,858	679	511	23	34	386	68
34 years.....	2,949	1,755	738	456	19	36	336	65
35-39 years.....	15,340	8,329	4,588	2,423	117	259	1,733	314
35 years.....	4,282	2,278	1,327	682	42	77	470	93
36 years.....	3,023	1,733	838	452	18	55	325	54
37 years.....	2,540	1,377	754	415	21	37	295	62
38 years.....	3,033	1,593	958	482	19	50	363	50
39 years.....	2,456	1,353	711	392	17	40	280	55
40-44 years.....	12,478	5,510	4,916	2,043	81	228	1,507	227
40 years.....	4,500	1,993	1,823	745	41	89	521	94
41 years.....	1,904	887	703	314	9	36	242	27
42 years.....	2,321	1,066	800	395	16	36	290	53
43 years.....	1,926	859	741	326	7	32	263	24
44 years.....	1,701	799	729	263	8	35	191	29
45-49 years.....	10,860	4,045	4,949	1,875	74	289	1,318	194
45 years.....	3,268	1,198	1,497	573	27	87	389	70
46 years.....	2,003	766	895	342	12	46	244	40
47 years.....	1,805	685	814	306	11	55	211	29
48 years.....	2,082	760	948	368	10	51	275	32
49 years.....	1,711	630	795	286	14	50	190	23
50-54 years.....	9,968	2,813	5,340	1,809	36	388	1,238	147
50 years.....	3,608	1,053	1,917	638	17	122	442	57
51 years.....	1,468	451	763	254	3	65	162	24
52 years.....	1,791	498	947	346	5	70	243	23
53 years.....	1,565	430	855	280	4	66	190	20
54 years.....	1,536	381	804	291	7	65	201	18
55-59 years.....	7,897	1,611	4,743	1,543	28	513	902	100
55 years.....	2,021	443	1,200	378	9	113	227	29
56 years.....	1,537	341	942	304	4	83	197	20
57 years.....	1,492	292	918	282	4	102	160	16
58 years.....	1,567	297	953	317	6	120	172	19
59 years.....	1,230	238	730	262	5	95	116	16
60-64 years.....	9,797	1,102	6,261	2,434	37	1,408	930	59
60 years.....	3,483	476	2,255	752	22	328	379	23
61 years.....	1,445	159	953	333	2	194	129	8
62 years.....	1,602	180	1,028	454	7	284	155	8
63 years.....	1,594	169	995	430	3	290	124	13
64 years.....	1,613	118	1,030	405	3	312	143	7
65-69 years.....	10,055	535	6,382	3,138	41	2,324	735	38
65 years.....	2,921	191	1,929	801	11	546	230	14
66 years.....	1,824	113	1,129	582	6	437	132	7
67 years.....	1,793	80	1,125	582	10	436	132	4
68 years.....	1,933	84	1,217	632	7	483	132	10
69 years.....	1,584	61	982	541	7	422	109	3
70-74 years.....	10,156	255	6,222	3,679	48	2,951	645	35
70 years.....	3,564	104	2,246	1,214	23	915	262	14
71 years.....	1,582	51	945	586	8	484	91	3
72 years.....	1,844	40	1,157	647	6	531	101	9
73 years.....	1,684	35	968	681	4	550	121	6
74 years.....	1,482	25	906	551	7	471	70	3
75-79 years.....	7,960	122	4,920	2,912	30	2,993	458	26
75 years.....	2,423	46	1,545	832	13	651	158	10
76 years.....	1,638	31	1,008	599	8	510	79	2
77 years.....	1,264	22	781	461	1	378	81	1
78 years.....	1,521	12	927	582	5	486	84	7
79 years.....	1,114	11	665	438	3	373	56	6

AGES.	Total.	Prisoners.	Juvenile offenders.	Almshouse paupers.	INMATES OF BENEVOLENT INSTITUTIONS.				
					Total.	For children.	For adults.	Hospitals.	Miscellaneous.
80-84 years.....	5,388	35		3,428	1,925	23	1,613	270	13
80 years.....	2,124	19		1,393	712	9	575	123	5
81 years.....	898	7		576	315	5	280	30	
82 years.....	890	3		546	341	4	201	43	8
83 years.....	745	4		462	270	4	232	42	1
84 years.....	731	2		451	278	1	235	38	4
85-89 years.....	2,265	15		1,433	817	9	667	134	7
85 years.....	727	9		440	278	4	220	63	1
86 years.....	507	2		330	175	1	154	19	1
87 years.....	417			273	145	2	114	29	
88 years.....	342	1		215	128	2	105	16	3
89 years.....	272	3		176	93		74	17	2
90-94 years.....	1,022	9		616	397	7	335	54	1
90 years.....	540	6		321	222	2	186	33	1
91 years.....	168	1		97	70		61	9	
92 years.....	106			63	43		38	4	
93 years.....	86	2		56	28	1	25	5	
94 years.....	113			70	34	3	28	3	
95-99 years.....	202			155	47	1	35	10	1
95 years.....	73			56	17		14	3	
96 years.....	49			39	10		7	3	
97 years.....	25			17	8		7	1	
98 years.....	37			30	7	1	4	2	
99 years.....	18			13	5		3	1	1
100 years and over.....	200	3		156	41		31	10	
Not stated.....	3,740	1,110	311	1,342	986	441	116	374	55

The foregoing table has been made by combining individual ages, as shown in Tables 65 for prisoners, 157 for juvenile offenders, 214 for paupers in almshouses, and 289 for inmates of benevolent institutions. Similar statements might be prepared for each sex separately by combining individual ages for male inmates in Tables 66, 158, 215, and 290, and for female inmates in Tables 67, 159, 216, and 291.

II.—AGES, BY SEX.

Without going into extreme detail, the following statement shows the aggregate number of inmates of the four classes of institutions, by sex, combined by quinquennial periods, and the percentage of each sex in each period:

QUINQUENNIAL PERIODS.	NUMBERS.			PERCENTAGES.		EXCESS.	
	Total.	Male.	Female.	Male.	Female.	Male.	Female.
Total.....	278,181	180,851	97,330	65.01	34.99	30.02	
Under 5 years.....	11,309	6,079	5,290	53.47	46.53	6.94	
5-9 years.....	29,205	16,597	12,608	56.83	43.17	13.66	
10-14 years.....	38,200	22,055	15,611	57.73	42.27	15.46	
15-19 years.....	27,050	17,025	10,034	62.92	37.08	25.84	
20-24 years.....	27,512	21,527	5,985	78.25	21.75	56.50	
25-29 years.....	23,378	18,702	4,676	80.00	20.00	60.00	
30-34 years.....	17,995	13,857	4,138	77.00	23.00	54.00	
35-39 years.....	15,340	11,055	4,285	72.07	27.93	44.14	
40-44 years.....	12,478	8,414	4,064	67.43	32.57	34.86	
45-49 years.....	10,869	7,223	3,646	66.46	33.54	32.92	
50-54 years.....	9,968	6,380	3,588	64.00	36.00	28.00	
55-59 years.....	7,897	5,081	2,816	64.34	35.66	28.68	
60-64 years.....	9,797	5,838	3,959	59.59	40.41	19.18	
65-69 years.....	10,055	5,980	4,075	59.47	40.53	18.94	
70-74 years.....	10,156	5,611	4,545	55.25	44.75	10.50	
75-79 years.....	7,000	4,444	2,556	55.89	44.11	11.89	
80-84 years.....	5,388	2,752	2,636	51.08	48.92	2.16	
85-89 years.....	2,265	1,096	1,169	48.39	51.61		3.22
90-94 years.....	1,022	444	578	43.44	56.56		13.12
95-99 years.....	202	91	111	45.05	54.95		9.90

The only ages at which for all institutions the percentage of excess is upon the female side are those from 85 years upward. The percentage of excess upon the male side increases steadily, until it reaches its maximum in the quinquennial period from 25 to 30 years, after which it steadily decreases.

CRIME, PAUPERISM, AND BENEVOLENCE.

III.—AGES, BY GEOGRAPHICAL DIVISIONS.

The following statement shows the distribution of ages, by sex, combined by decades, and by geographical divisions, with the ratios to the total number in each column, reduced to a basis of a total of 1,000,000 for each:

BOTH SEXES.

DECENNIAL PERIODS.	NUMBERS.						RATIOS TO 1,000,000.					
	The United States.	Geographical divisions.					The United States.	Geographical divisions.				
		North Atlantic.	South Atlantic.	North Central.	South Central.	Western.		North Atlantic.	South Atlantic.	North Central.	South Central.	Western.
Total	278,181	128,133	28,074	77,773	27,895	16,306	1,000,000	1,000,000	1,000,000	1,000,000	1,000,000	1,000,000
Under 10 years.....	40,574	22,466	2,842	10,484	2,370	2,412	145,855	175,333	101,232	134,803	84,061	147,921
10-19 years.....	65,325	31,779	6,659	17,999	5,745	8,143	234,829	248,016	237,194	231,430	205,951	192,751
20-29 years.....	50,890	18,238	9,577	13,994	8,873	3,208	182,938	142,336	234,274	179,934	318,086	196,737
30-39 years.....	33,335	13,204	3,334	10,080	4,204	2,513	119,832	103,049	118,758	129,008	150,708	154,115
40-49 years.....	23,347	10,339	2,235	6,979	2,257	1,537	83,927	80,600	79,611	89,735	80,911	94,200
50-59 years.....	17,865	8,378	1,625	5,227	1,476	1,159	64,221	65,885	57,883	67,208	52,013	71,078
60-69 years.....	19,852	9,816	1,862	5,657	1,203	1,224	71,364	76,608	66,325	72,737	46,352	75,004
70-79 years.....	18,110	9,468	1,822	5,028	1,040	818	65,123	78,424	64,900	64,650	37,283	50,166
80-89 years.....	7,653	3,936	924	2,029	501	263	27,511	30,718	32,913	26,089	17,960	16,129
90-99 years.....	1,224	569	194	296	136	29	4,400	4,441	6,910	3,806	4,875	1,779

MALE.

Total	180,851	78,278	18,225	51,272	20,415	12,661	1,000,000	1,000,000	1,000,000	1,000,000	1,000,000	1,000,000
Under 10 years.....	22,676	12,690	1,406	6,090	1,137	1,353	125,385	162,114	77,147	118,778	55,094	106,804
10-19 years.....	39,680	19,880	4,165	10,880	3,569	1,680	219,407	247,656	228,532	212,202	174,822	182,691
20-29 years.....	40,229	13,314	5,414	10,729	7,820	2,952	222,443	170,086	297,064	209,256	388,052	233,157
30-39 years.....	24,912	9,132	2,485	7,420	3,544	2,331	137,749	116,061	136,351	144,718	173,598	184,109
40-49 years.....	15,637	6,523	1,443	4,666	1,689	1,376	86,463	83,331	79,177	89,835	82,733	108,680
50-59 years.....	11,461	5,066	977	3,371	1,015	1,032	63,373	64,718	53,603	65,747	49,718	81,510
60-69 years.....	11,818	5,400	941	3,693	765	1,019	65,347	68,985	51,632	72,028	37,473	80,483
70-79 years.....	10,655	4,751	871	3,130	559	694	55,598	60,694	47,792	62,022	27,382	54,814
80-89 years.....	3,848	1,797	429	1,157	260	265	21,277	22,937	23,539	22,560	12,736	16,101
90-99 years.....	525	210	94	146	57	19	2,958	2,798	5,158	2,848	2,792	1,501

FEMALE.

Total	97,330	49,855	9,849	26,501	7,480	3,645	1,000,000	1,000,000	1,000,000	1,000,000	1,000,000	1,000,000
Under 10 years.....	17,898	9,776	1,436	4,394	1,233	1,059	188,890	190,089	145,802	165,805	164,840	290,535
10-19 years.....	25,645	12,393	2,494	7,119	2,170	1,463	263,485	248,581	253,224	268,631	200,909	401,372
20-29 years.....	10,661	4,924	1,163	3,265	1,053	256	109,534	98,766	118,083	123,203	140,775	70,233
30-39 years.....	8,423	4,072	840	2,600	600	182	86,541	81,677	86,202	100,374	88,235	49,931
40-49 years.....	7,710	3,816	792	2,373	568	161	79,215	76,542	80,414	89,544	75,936	44,170
50-59 years.....	6,404	3,312	648	1,856	461	127	65,797	66,433	65,793	70,035	61,631	34,842
60-69 years.....	8,034	4,416	921	1,964	528	205	82,544	88,577	93,512	74,110	70,588	56,242
70-79 years.....	8,061	4,657	951	1,848	481	124	82,821	93,411	96,558	69,733	64,305	34,010
80-89 years.....	3,805	2,139	495	872	241	58	39,094	42,904	50,259	32,905	32,219	15,912
90-99 years.....	689	350	100	150	79	10	7,079	7,020	10,153	5,660	10,562	2,744

More than one-half, or 56.36 per cent, of all the inmates of institutions are under 30 years of age. The percentages under 30 years of age for the geographical divisions are as follows: South Central division, 60.90; South Atlantic, 57.27; North Atlantic, 56.58; North Central, 54.62; Western, 53.74.

Very nearly one-tenth, or 9.70 per cent, are over 70 years of age. The percentages for those over 70 years of age for geographical divisions are as follows: North Atlantic, 10.86; South Atlantic, 10.47; North Central, 9.45; Western, 6.81; South Central, 6.01.

Thus it appears that the South Central division has the largest percentage of youthful inmates, and the smallest percentage of aged inmates.

About one-third, or 33.93 per cent, are between the ages of 30 and 70, or in middle life. The percentages for these ages by geographical divisions are: Western, 39.45; North Central, 35.93; South Central, 33.09; North Atlantic, 32.57; South Atlantic, 32.26.

The percentage of male inmates under 20 years of age is 34.48; but of female inmates under 20 years of age it is 44.74. From 20 to 50 years the percentages are generally larger for male inmates, and after 50 years larger for female inmates.

In all the columns included in the native white population and in the column entitled "Nativity unknown" the highest ratios are in the decade from 10 to 20 years. For the foreign born the highest ratio is for the decade from 60 to 69 years, and for the colored population the highest ratio is in the decade from 20 to 30 years. The highest ratio for the Chinese is in the fourth decade; for the negroes, in the third; for the Indians, in the second.

Of white inmates, 55.05 per cent are under 30 years of age; of colored inmates, 64.76 per cent. Of native white inmates, 67.42 per cent are under 30 years of age; of the foreign born, 25.15 per cent.

In middle life, from 30 to 70 years of age, the percentage of white inmates is 34.60; of colored, 29.69. Of native whites, it is 36.21; of foreign whites, 34.93.

Of white inmates, 10.35 per cent are over 70 years of age; of colored, 5.55 per cent. Of native whites, 6.37 per cent are over 70 years of age; of foreign whites, 19.91 per cent.

V.—AGES, BY GROUPS OF CRIMES.

The following statement shows the stated ages, by decennial periods, of prisoners and juvenile offenders, taken together, omitting those over 100 years of age, by sex and by groups of crimes:

BOTH SEXES.

DECENNIAL PERIODS.	NUMBERS.							PERCENTAGES.					
	Total.	Groups of crimes—						Groups of crimes—					
		Against the government.	Against society.	Against the person.	Against property.	On the high seas.	Miscellaneous.	Against the government.	Against society.	Against the person.	Against property.	On the high seas.	Miscellaneous.
Total	95,751	1,852	25,394	17,430	41,902	4	9,169	1.94	26.52	18.20	43.76	0.00	9.58
Under 10 years	774	204	4	59	507	26.36	0.52	7.62	65.50
10-19 years	23,102	85	7,987	1,583	10,144	3,363	0.37	34.48	6.83	43.80	14.52
20-29 years	36,347	903	6,715	7,309	18,632	1	2,787	2.43	18.48	20.11	51.26	0.00	7.67
30-39 years	19,407	552	4,917	4,541	7,985	1	1,411	2.84	25.34	23.40	41.14	0.01	7.27
40-49 years	9,564	202	3,185	2,209	3,240	2	636	2.11	33.30	24.04	33.88	0.02	6.65
50-59 years	4,424	78	1,602	1,110	1,335	299	1.76	36.21	25.09	30.18	6.76
60-69 years	1,637	25	630	434	410	129	1.53	38.48	26.51	25.00	7.88
70-79 years	377	6	132	130	75	34	1.59	35.01	34.48	19.00	9.02
80-89 years	50	1	15	20	11	3	2.00	30.00	40.00	22.00	6.00
90-99 years	9	7	2	77.78	22.22

MALE.

Total	86,182	1,836	19,952	10,054	40,240	4	7,496	2.13	23.15	10.32	46.69	0.01	8.70
Under 10 years	554	171	3	57	323	30.87	0.51	10.29	58.80
10-19 years	19,385	83	6,063	1,451	9,514	2,274	0.43	31.28	7.48	49.08	11.73
20-29 years	33,917	898	5,373	6,992	18,024	1	2,629	2.65	15.84	20.02	53.14	0.00	7.75
30-39 years	17,958	545	3,948	4,387	7,768	1	1,309	3.03	21.98	24.43	43.26	0.01	7.29
40-49 years	8,590	200	2,514	2,205	3,114	2	555	2.33	29.27	25.67	36.25	0.02	6.40
50-59 years	3,968	78	1,295	1,050	1,383	262	1.97	32.64	26.40	32.33	6.60
60-69 years	1,435	25	476	419	399	116	1.74	33.17	29.20	27.81	8.08
70-79 years	320	6	98	127	69	26	1.84	30.06	38.06	21.17	7.97
80-89 years	46	1	13	20	10	2	2.17	28.26	43.48	21.74	4.35
90-99 years	3	1	2	33.33	66.67

FEMALE.

Total	9,569	16	5,442	776	1,062	1,673	0.17	56.87	8.11	17.37	17.48
Under 10 years	290	33	1	2	184	15.00	0.45	0.91	83.64
10-19 years	3,777	2	1,924	132	630	1,089	0.05	50.91	3.50	16.68	28.83
20-29 years	2,430	5	1,342	317	608	158	0.21	55.23	13.04	25.02	6.50
30-39 years	1,449	7	960	154	217	102	0.48	66.87	10.63	14.98	7.04
40-49 years	974	2	671	94	126	81	0.20	68.89	9.65	12.94	8.32
50-59 years	456	307	60	52	37	67.33	13.16	11.40	8.11
60-69 years	202	154	15	20	13	76.24	7.43	9.00	6.43
70-79 years	51	34	3	6	8	66.67	5.88	11.76	15.69
80-89 years	4	2	1	1	50.00	25.00	25.00
90-99 years	6	6	100.00

a Less than five-thousandths of 1 per cent.

The percentage of crimes against the person increases with advancing years. Of crimes against property, it reaches its maximum in the decade from 20 to 30 years. Of crimes against society, it reaches its minimum during the same decade.

The percentage of crimes against the person in the later decades of life is affected by the length of sentences imposed for this group, many of which are for life.

The percentage of offenses against society by women in middle life exceeds that in youth or in old age.

The large percentages of miscellaneous offenses in the first and second decades are due to the inclusion of charges which do not involve criminality in the list of crimes: charges brought for no other purpose than to secure legal custody of destitute and exposed children, with a view to the prevention of crime and not to its punishment.

VI.—RATIOS TO THE POPULATION.

In studying the question of age, the number of any given age should be compared with the number for the same age period for the total population. This has been done with the following result: all ages under 15 years have been grouped; higher ages are shown by quinquennial periods up to 35 years, by decennial periods from 35 to 65 years, and all ages over 65 years have been combined.

(1) RATIOS, BY STATES AND TERRITORIES.—The ratios to the million of the population of same age periods for the inmates of penal and charitable institutions whose ages are known are shown, by sex and by states and territories, in the following table:

BOTH SEXES.

STATES AND TERRITORIES.	Under 15 years.	15-19 years.	20-24 years.	25-29 years.	30-34 years.	35-44 years.	45-54 years.	55-64 years.	65 years and over.
The United States.....	3,514	4,127	4,440	4,471	3,930	3,945	4,119	5,652	15,409
North Atlantic division.....	8,357	6,358	5,517	5,280	5,024	5,392	5,913	8,179	21,585
Maine.....	2,355	2,544	2,431	2,456	2,243	2,840	2,987	3,193	11,064
New Hampshire.....	5,528	2,996	2,282	4,260	4,372	4,922	5,481	5,206	10,992
Vermont.....	3,369	2,786	1,553	1,726	2,616	2,680	2,273	2,419	0,183
Massachusetts.....	6,927	5,876	6,509	6,423	6,397	6,553	6,361	8,117	20,295
Rhode Island.....	7,628	5,515	3,677	4,001	3,798	4,463	5,045	7,710	22,474
Connecticut.....	5,931	5,745	3,869	3,997	3,478	4,308	4,990	6,777	16,949
New York.....	14,450	8,479	7,067	6,332	5,754	6,241	7,009	10,570	27,731
New Jersey.....	5,421	5,483	4,914	4,707	4,890	5,284	5,890	7,614	18,612
Pennsylvania.....	4,917	5,525	4,561	4,453	4,353	4,010	5,297	7,287	21,332
South Atlantic division.....	1,622	3,668	4,558	4,470	3,252	3,063	2,993	4,304	12,954
Delaware.....	3,686	3,301	3,004	2,042	2,074	2,065	3,503	6,524	17,928
Maryland.....	5,609	10,694	0,500	5,501	5,140	5,308	5,004	7,104	25,493
District of Columbia.....	16,002	14,922	7,577	6,092	5,155	4,890	4,964	11,051	41,497
Virginia.....	1,124	2,057	3,029	4,116	2,894	2,923	3,281	4,488	13,123
West Virginia.....	916	1,270	2,136	2,430	1,738	2,077	1,967	2,786	7,076
North Carolina.....	584	2,183	4,543	4,322	3,233	2,821	2,984	3,554	9,121
South Carolina.....	995	2,326	3,661	3,672	2,270	2,266	2,218	3,313	9,130
Georgia.....	756	2,715	5,196	5,147	3,370	2,772	2,072	2,875	8,640
Florida.....	284	2,384	4,910	6,067	2,920	2,122	1,163	1,584	1,515
North Central division.....	2,569	3,597	3,270	3,530	3,255	3,355	3,437	4,500	11,973
Ohio.....	5,867	5,119	3,591	3,499	3,395	3,817	4,410	6,595	18,345
Indiana.....	3,183	3,730	3,548	3,383	3,146	3,216	3,229	4,541	11,884
Illinois.....	2,402	3,504	4,076	4,760	4,568	4,906	5,093	5,941	13,484
Michigan.....	2,131	3,857	3,048	3,248	2,937	2,865	2,693	3,611	10,991
Wisconsin.....	2,401	3,691	2,466	3,030	3,010	4,322	4,954	5,097	10,420
Minnesota.....	2,022	3,388	2,905	2,706	2,136	1,981	1,725	2,202	6,471
Iowa.....	1,243	2,260	1,710	1,912	1,983	1,868	2,347	2,814	7,800
Missouri.....	2,140	3,544	4,102	4,356	3,701	3,680	3,399	4,393	12,515
North Dakota.....	156	404	1,397	1,625	781	1,000	279	1,440	2,690
South Dakota.....	87	774	1,374	1,410	1,131	939	728	607	2,676
Nebraska.....	837	1,814	1,974	1,651	1,504	1,412	1,045	1,590	4,636
Kansas.....	649	2,365	3,326	5,184	3,751	2,652	1,682	2,104	5,130
South Central division.....	1,048	2,606	4,900	4,839	3,488	2,835	2,632	3,086	7,752
Kentucky.....	1,793	3,023	3,777	3,962	3,117	2,567	2,377	3,882	11,452
Tennessee.....	979	3,000	4,882	4,336	3,022	2,905	3,235	3,142	6,749
Alabama.....	439	2,628	5,999	4,872	3,162	2,666	2,480	2,417	6,074
Mississippi.....	332	1,395	3,156	2,937	2,524	1,714	1,459	2,238	5,904
Louisiana.....	3,729	4,506	5,316	5,127	4,778	3,782	3,277	5,958	17,146
Texas.....	521	2,393	6,550	7,103	4,711	3,659	2,715	2,243	2,986
Oklahoma.....									
Arkansas.....	73	1,428	3,964	4,689	2,794	2,275	1,929	1,790	1,858
Western division.....	4,991	3,945	4,748	5,142	4,981	4,761	4,956	7,376	22,252
Montana.....	947	3,395	5,875	7,079	6,104	5,038	6,618	7,090	15,316
Wyoming.....	115	1,310	770	3,198	2,491	701	489		3,086
Colorado.....	4,114	6,936	5,347	5,091	4,542	4,168	2,891	2,341	4,957
New Mexico.....	1,539	2,230	2,587	4,810	2,980	2,186	1,482	1,028	2,122
Arizona.....	259	4,284	7,043	10,100	8,947	6,686	5,646	5,444	5,291
Utah.....	47	470	2,728	3,605	3,157	3,307	3,545	2,878	4,738
Nevada.....	3,440	4,590	3,682	5,133	5,471	5,007	4,297	6,746	15,205
Idaho.....		145	2,445	3,052	5,399	3,244	3,303	3,356	6,150
Washington.....	1,714	2,472	3,633	2,690	2,833	3,001	2,683	4,021	3,348
Oregon.....	1,056	1,648	2,876	3,479	2,959	2,634	2,321	2,535	7,254
California.....	10,858	5,276	6,462	6,463	6,617	6,683	7,336	11,370	37,366

INMATES OF ALL INSTITUTIONS.

MALE.

STATES AND TERRITORIES.	Under 15 years.	15-19 years.	20-24 years.	25-29 years.	30-34 years.	35-44 years.	45-54 years.	55-64 years.	65 years and over.
The United States.....	4, 015	5, 240	6, 934	6, 932	5, 712	5, 253	5, 178	6, 698	10, 614
North Atlantic division.....	9, 758	7, 754	8, 277	7, 785	7, 040	6, 887	7, 301	9, 605	22, 549
Maine.....	2, 307	3, 804	3, 948	3, 847	3, 616	3, 079	4, 014	3, 505	10, 071
New Hampshire.....	7, 141	4, 072	2, 964	5, 347	5, 844	5, 275	6, 561	5, 615	10, 385
Vermont.....	4, 450	3, 770	2, 383	2, 708	4, 132	3, 136	2, 436	1, 976	9, 842
Massachusetts.....	8, 372	7, 892	10, 255	9, 352	9, 219	8, 541	8, 256	9, 070	21, 002
Rhode Island.....	10, 330	8, 077	6, 029	6, 580	5, 044	5, 857	6, 996	10, 136	22, 051
Connecticut.....	7, 619	7, 464	6, 374	6, 845	5, 418	6, 301	7, 134	9, 024	17, 169
New York.....	16, 231	9, 678	10, 440	9, 272	7, 887	7, 696	8, 339	12, 240	28, 326
New Jersey.....	6, 217	7, 306	8, 457	7, 210	6, 895	6, 857	6, 881	8, 852	19, 805
Pennsylvania.....	6, 199	6, 747	6, 627	6, 545	6, 098	6, 111	7, 009	9, 249	23, 257
South Atlantic division.....	1, 051	5, 200	7, 724	7, 059	5, 091	4, 204	3, 803	4, 648	12, 542
Delaware.....	4, 600	4, 203	4, 874	4, 407	3, 091	3, 090	5, 150	7, 070	16, 561
Maryland.....	6, 006	13, 652	9, 299	8, 278	7, 581	6, 918	6, 750	8, 296	25, 433
District of Columbia.....	18, 880	16, 915	8, 274	8, 888	6, 300	6, 536	6, 350	10, 949	37, 668
Virginia.....	784	4, 123	6, 515	6, 587	4, 316	3, 540	3, 689	4, 569	13, 135
West Virginia.....	859	1, 784	3, 376	3, 694	2, 202	2, 570	2, 103	3, 144	8, 986
North Carolina.....	591	3, 695	8, 517	7, 986	5, 336	3, 983	3, 705	4, 081	9, 384
South Carolina.....	968	3, 022	6, 768	6, 599	3, 833	3, 337	2, 730	2, 994	7, 428
Georgia.....	802	4, 590	9, 645	9, 680	5, 953	4, 258	2, 780	3, 146	7, 978
Florida.....	248	3, 851	9, 070	10, 577	5, 146	3, 625	1, 907	2, 287	1, 865
North Central division.....	2, 990	4, 273	4, 812	5, 271	4, 588	4, 346	4, 181	5, 489	14, 085
Ohio.....	6, 987	5, 398	4, 813	4, 793	4, 495	4, 533	5, 106	7, 740	21, 822
Indiana.....	3, 643	4, 899	5, 481	5, 407	4, 018	4, 423	4, 079	5, 763	14, 175
Illinois.....	2, 790	4, 705	5, 825	6, 805	5, 810	5, 922	6, 185	7, 045	15, 487
Michigan.....	2, 437	4, 015	4, 422	5, 058	4, 461	4, 111	3, 732	4, 364	13, 052
Wisconsin.....	2, 824	4, 414	3, 084	4, 210	4, 875	5, 222	5, 428	5, 060	12, 525
Minnesota.....	2, 619	4, 731	3, 705	4, 070	3, 050	2, 950	2, 393	3, 049	7, 065
Iowa.....	1, 581	3, 005	2, 618	3, 032	3, 032	2, 480	2, 094	3, 173	10, 297
Missouri.....	2, 128	3, 977	6, 591	6, 819	5, 496	4, 902	4, 078	5, 809	13, 827
North Dakota.....	109	529	2, 254	2, 730	1, 278	1, 470	471	2, 275	2, 968
South Dakota.....	61	1, 372	2, 418	2, 257	1, 840	1, 440	1, 163	752	4, 400
Nebraska.....	1, 016	2, 287	2, 004	2, 014	2, 332	2, 156	1, 345	2, 092	5, 704
Kansas.....	803	3, 878	5, 903	9, 292	6, 040	4, 478	2, 286	2, 759	6, 530
South Central division.....	1, 003	3, 776	8, 005	8, 534	5, 038	4, 395	3, 609	3, 778	7, 964
Kentucky.....	1, 800	3, 674	6, 000	6, 627	4, 737	3, 540	2, 797	4, 351	12, 526
Tennessee.....	1, 182	4, 092	8, 167	7, 157	4, 344	4, 059	4, 035	3, 949	7, 551
Alabama.....	427	4, 486	10, 974	9, 000	5, 488	4, 333	3, 734	2, 902	6, 276
Mississippi.....	320	2, 409	5, 836	5, 302	4, 366	2, 663	1, 986	2, 543	5, 912
Louisiana.....	3, 222	3, 956	8, 338	8, 351	7, 213	5, 510	4, 301	6, 742	15, 048
Texas.....	483	4, 088	12, 116	12, 807	8, 123	6, 093	4, 313	3, 489	8, 803
Oklahoma.....									
Arkansas.....	92	2, 471	7, 168	8, 470	4, 771	3, 858	2, 750	2, 669	1, 704
Western division.....	5, 266	4, 693	7, 274	7, 543	7, 092	6, 619	6, 945	9, 605	29, 632
Montana.....	1, 270	5, 244	7, 579	9, 049	7, 957	6, 409	8, 643	8, 943	22, 032
Wyoming.....	111	2, 346	1, 092	4, 313	3, 245	1, 096	694		5, 155
Colorado.....	4, 026	6, 700	7, 906	7, 248	6, 307	5, 853	4, 065	3, 521	8, 060
New Mexico.....	411	2, 457	4, 160	8, 525	4, 785	3, 607	2, 242	1, 719	3, 008
Arizona.....	598	8, 010	10, 676	15, 195	12, 878	9, 411	7, 990	7, 438	7, 634
Utah.....	70	940	4, 916	6, 207	5, 284	5, 418	6, 330	4, 834	6, 959
Nevada.....	3, 395	6, 715	9, 180	7, 158	7, 801	6, 659	5, 894	7, 036	19, 418
Idaho.....		274	4, 028	4, 620	7, 797	4, 623	4, 612	4, 547	8, 234
Washington.....	1, 777	2, 923	4, 356	3, 802	3, 930	4, 046	3, 875	6, 941	4, 847
Oregon.....	907	2, 771	4, 282	5, 380	4, 575	3, 969	3, 443	3, 403	9, 472
California.....	11, 683	6, 164	10, 220	9, 746	9, 457	9, 206	10, 272	14, 362	47, 953

FEMALE.

STATES AND TERRITORIES.	Under 15 years.	15-19 years.	20-24 years.	25-29 years.	30-34 years.	35-44 years.	45-54 years.	55-64 years.	65 years and over.
The United States.....	3,060	3,032	1,936	1,848	1,923	2,494	2,976	4,517	14,153
North Atlantic division.....	6,020	5,014	2,921	2,802	2,924	3,854	4,449	6,760	20,697
Maine.....	2,404	1,292	939	1,091	859	1,980	1,971	2,870	11,451
New Hampshire.....	3,887	1,960	1,596	3,195	2,859	4,572	4,479	4,813	11,537
Vermont.....	2,221	1,740	679	729	1,137	2,207	2,108	2,866	8,522
Massachusetts.....	5,466	3,978	3,168	3,700	3,659	4,653	4,616	7,281	19,219
Rhode Island.....	4,891	2,557	1,517	1,631	2,613	3,147	3,220	5,556	22,086
Connecticut.....	4,205	4,080	1,466	1,212	1,482	2,321	2,040	4,712	16,701
New York.....	12,643	7,355	3,967	3,480	3,510	4,745	5,696	8,979	27,167
New Jersey.....	4,708	3,763	1,675	2,262	2,811	3,677	4,916	6,405	17,517
Pennsylvania.....	3,600	4,317	2,550	2,246	2,465	2,987	3,528	5,360	19,517
South Atlantic division.....	1,590	2,187	1,584	1,566	1,430	1,935	2,216	3,955	13,363
Delaware.....	2,753	2,250	1,111	842	1,611	1,854	1,788	5,043	19,159
Maryland.....	5,204	7,842	3,970	2,957	2,832	3,724	3,242	6,111	25,557
District of Columbia.....	13,168	13,393	7,022	3,842	4,150	3,430	3,506	11,156	44,653
Virginia.....	1,474	1,835	1,556	1,882	1,543	2,020	2,890	4,403	13,122
West Virginia.....	1,030	750	843	1,118	1,241	1,549	1,728	2,401	5,000
North Carolina.....	577	701	951	1,062	1,315	1,742	2,283	3,039	8,873
South Carolina.....	1,021	1,098	794	1,034	713	1,007	1,744	3,643	10,824
Georgia.....	707	911	818	771	721	1,286	1,436	2,609	9,309
Florida.....	321	958	698	1,001	341	457	304	752	1,103
North Central division.....	2,135	2,743	1,668	1,603	1,701	2,210	2,640	3,423	9,623
Ohio.....	4,709	4,843	2,357	2,208	2,239	3,060	3,704	5,416	15,249
Indiana.....	2,711	2,562	1,602	1,327	1,570	1,911	2,321	3,181	8,306
Illinois.....	2,005	2,329	2,296	2,751	3,116	3,732	3,876	4,041	11,307
Michigan.....	1,817	3,098	1,594	1,204	1,159	1,392	1,499	2,737	8,549
Wisconsin.....	1,070	2,584	1,194	1,705	2,142	3,201	4,419	4,131	7,871
Minnesota.....	1,411	2,032	1,994	935	862	690	892	1,285	4,713
Iowa.....	893	1,495	750	669	789	1,189	1,946	2,389	4,724
Missouri.....	2,153	3,116	1,725	1,685	1,022	2,285	2,614	3,311	11,004
North Dakota.....	203	274	260			247		369	2,358
South Dakota.....	112	138	75	312	87	195	105	544	297
Nebraska.....	652	1,322	872	812	364	416	637	908	3,294
Kansas.....	490	808	544	462	367	568	882	1,199	3,280
South Central division.....	1,095	1,463	1,241	1,048	1,076	1,187	1,573	2,313	7,523
Kentucky.....	1,784	2,386	1,511	1,310	1,376	1,529	1,938	3,879	10,287
Tennessee.....	971	1,318	1,726	1,029	1,655	1,785	2,409	2,270	5,943
Alabama.....	451	806	1,217	890	768	1,049	1,185	1,927	6,473
Mississippi.....	344	323	637	662	639	740	991	1,863	6,024
Louisiana.....	4,251	5,012	2,556	1,970	2,298	2,001	2,185	5,147	18,584
Texas.....	562	735	572	453	489	662	683	717	1,855
Oklahoma.....									
Arkansas.....	54	379	630	498	496	515	881	713	2,046
Western division.....	4,761	3,154	1,154	875	984	1,254	1,461	3,026	10,118
Montana.....	617	1,205	1,324	1,668	470	820		1,818	1,912
Wyoming.....	119				528				
Colorado.....	4,206	7,188	1,341	1,045	1,158	997	775	378	732
New Mexico.....	2,742	2,007	839	331	597	246	400		
Arizona.....		416	924			376			
Utah.....	24		113		312	595	167	726	2,560
Nevada.....	2,987	2,262		772		896		5,739	3,401
Idaho.....									1,876
Washington.....	1,648	1,957	622	144	243	607	120	245	649
Oregon.....	1,198	481	288	352	99	212	323	784	3,236
California.....	10,013	4,341	1,801	1,392	1,719	2,212	2,675	5,340	18,625

The following is a summary of the foregoing table:

SEX AND GEOGRAPHICAL DIVISIONS.	Under 15 years.	15-19 years.	20-24 years.	25-29 years.	30-34 years.	35-44 years.	45-54 years.	55-64 years.	65 years and over.
The United States.....	3,544	4,127	4,440	4,471	3,930	3,945	4,119	5,652	15,409
Male.....	4,615	5,240	6,934	6,932	5,712	5,253	5,178	6,608	16,014
Female.....	3,660	3,092	1,936	1,848	1,023	2,494	2,976	4,517	14,153
North Atlantic.....	8,357	6,358	5,517	5,280	5,024	5,392	5,913	8,179	21,585
Male.....	9,758	7,754	8,277	7,785	7,040	6,887	7,361	9,665	22,549
Female.....	6,926	5,014	2,921	2,802	2,924	3,854	4,449	6,760	20,697
South Atlantic.....	1,022	3,638	4,558	4,479	3,252	3,003	2,993	4,304	12,954
Male.....	1,051	5,200	7,724	7,659	5,001	4,204	3,803	4,048	12,542
Female.....	1,500	2,187	1,584	1,506	1,430	1,035	2,216	3,055	13,363
North Central.....	2,560	3,507	3,270	3,530	3,255	3,355	3,437	4,500	11,973
Male.....	2,990	4,273	4,813	5,271	4,588	4,340	4,131	5,439	14,035
Female.....	2,135	2,743	1,668	1,603	1,701	2,210	2,640	3,423	9,623
South Central.....	1,048	2,606	4,900	4,839	3,488	2,835	2,632	3,686	7,752
Male.....	1,003	3,776	8,605	8,534	5,608	4,395	3,609	3,778	7,984
Female.....	1,095	1,463	1,241	1,048	1,076	1,187	1,573	2,313	7,523
Western.....	4,891	3,945	4,748	5,142	4,981	4,761	4,950	7,376	22,252
Male.....	5,206	4,693	7,274	7,543	7,092	6,010	6,945	9,605	20,632
Female.....	4,761	3,154	1,154	875	984	1,254	1,401	3,026	10,118

A better conception of the significance of this table will be obtained, if it is considered as a statement of the mathematical probabilities of becoming an inmate of some penal or charitable institution, at a given age, in a given locality. The highest probability is that for a male to become an inmate of an institution in the Western division after having passed the age of 65 years. This probability is represented by 29,632 in the million. The lowest probability is that for a female to become an inmate of an institution in the Western division between the ages of 25 and 30, which is 875 in the million. The one probability is more than thirty times as great as the other. A child under 15 years of age has 8,357 chances of being cared for in some institution in the North Atlantic division to 1,048 chances in the South Central. For a male child, the probabilities in the former case are 9,758, to 6,926 for a female child.

According to this table, the ratios for male inmates of institutions are almost uniformly higher than for female inmates. The disproportion is greatest between the ages of 25 and 30 years, especially in the west and southwest. The probabilities of becoming an inmate of an institution increase until the age of 30, but are less until the age of 55, and after passing the age of 65 they are very much greater.

(2) RATIOS, BY CLASSES OF INSTITUTIONS.—The numbers and ratios for the different classes of institutions are shown in the following table:

NUMBERS.

QUINQUENNIAL PERIODS.	Total.	Prisoners.	Juvenile offenders.	Almshouse paupers.	Inmates of benevolent institutions.
Total	273,381	81,219	14,535	71,703	110,924
Under 1 year.....	2,551	7		793	1,751
1-4 years.....	8,813	13	21	1,762	7,022
5-9 years.....	20,205	26	707	1,783	26,689
10-14 years.....	38,266	665	6,763	1,289	20,549
Under 15 years.....	78,840	711	7,491	5,627	65,011
15-19 years.....	27,059	8,984	6,750	1,623	9,702
20-24 years.....	27,512	10,705	240	2,759	4,808
25-29 years.....	23,378	16,348	54	3,426	3,550
30-34 years.....	17,995	11,078		4,147	2,770
35-44 years.....	27,818	13,848		9,504	4,466
45-54 years.....	20,837	6,858		10,295	3,684
55-64 years.....	17,694	2,713		11,004	3,977
65 years and over.....	37,248	974		23,318	12,956
RATIOS TO 1,000,000.					
Total	4,445	1,297	232	1,145	1,771
Under 1 year.....	1,623	4		506	1,118
1-4 years.....	1,453	2	4	290	1,157
5-9 years.....	3,856	4	93	235	3,524
10-14 years.....	5,441	95	962	183	4,201
Under 15 years.....	3,544	81	337	253	2,923
15-19 years.....	4,127	1,370	1,029	248	1,480
20-24 years.....	4,440	3,180	39	445	776
25-29 years.....	4,471	3,127	10	655	679
30-34 years.....	3,930	2,419		906	605
35-44 years.....	3,945	1,964		1,348	633
45-54 years.....	4,119	1,356		2,035	728
55-64 years.....	5,652	867		3,515	1,270
65 years and over.....	15,409	403		9,646	5,360

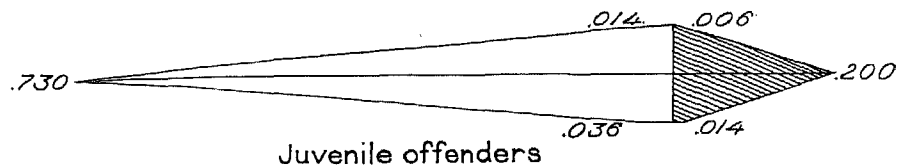
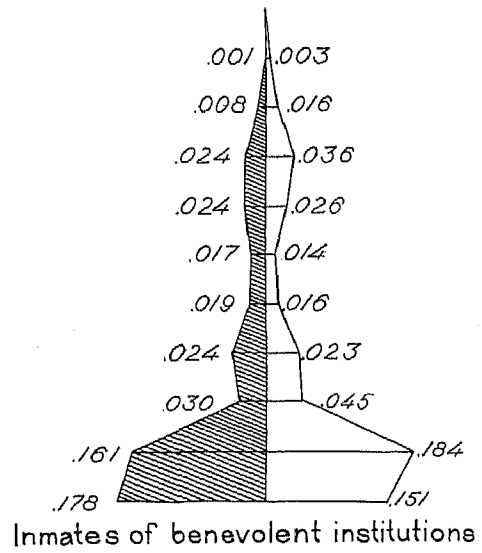
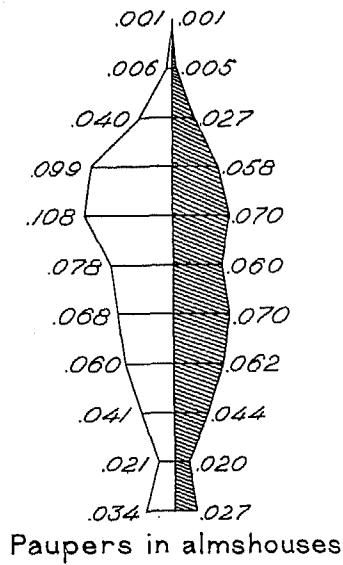
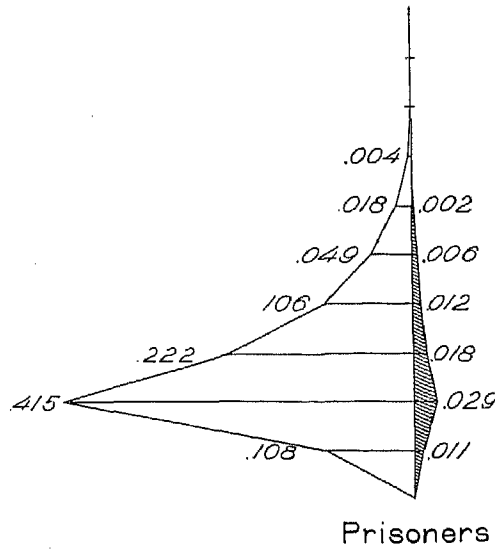
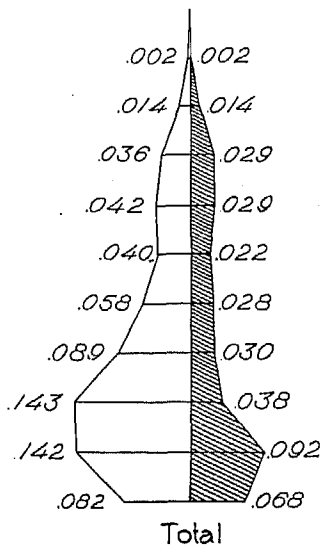
The maximum ratio for prisoners is between 20 and 24 years; for juvenile delinquents, between 15 and 19 years; for paupers and inmates of benevolent institutions, after 65 years.

Under 15 years, the ratios diminish for almshouse paupers, but they increase for inmates of benevolent institutions.

From 15 to 64 years, the ratios increase for almshouse paupers, but they diminish for inmates of benevolent institutions.

Plate 2 presents graphically the relations of the ages of inmates in the different classes of institutions.

PLATE 2. CLASSIFICATION BY AGES
REDUCED TO PERCENTAGES



Note: The males are on the left of the base line and the females on the right.
 The sex which preponderates is in lighter shade.
 The lowest horizontal line represents the first decade, under ten years of age, and the highest over one hundred years.

In the following statement the ratios are shown for each sex:

SEX AND CLASSES OF INSTITUTIONS.	Under 15 years.	15-19 years.	20-24 years.	25-29 years.	30-34 years.	35-44 years.	45-54 years.	55-64 years.	65 years and over.
All institutions.....	3,544	4,127	4,440	4,471	3,930	3,945	4,110	5,652	15,409
Male.....	4,015	5,240	6,934	6,932	5,712	5,253	5,178	6,998	16,614
Female.....	3,000	3,032	1,956	1,848	1,923	2,494	2,976	4,517	14,153
Prisons.....	31	1,370	3,180	3,127	2,419	1,964	1,356	867	403
Male.....	59	2,521	5,913	5,691	4,273	3,365	2,398	1,485	691
Female.....	7	240	436	393	331	389	294	195	103
Juvenile reformatories.....	327	1,029	30	10					
Male.....	548	1,518	52	18					
Female.....	110	550	25	4					
Almshouses.....	253	248	445	655	606	1,348	2,035	3,515	9,040
Male.....	282	237	431	614	860	1,237	2,051	3,951	11,601
Female.....	223	257	460	600	651	1,470	2,019	3,042	7,401
Benevolent institutions.....	2,923	1,480	776	679	665	633	725	1,270	5,360
Male.....	3,129	964	538	611	573	631	789	1,262	4,122
Female.....	2,711	1,985	1,015	752	641	635	663	1,280	6,043

Under 20 years of age, more than one-half of the inmates of institutions are cared for by private charity. From 20 to 30 years of age, more than two-thirds of them are suffering the penalty of law in prison. A majority are in prison between the ages of 30 and 45. For higher ages, a majority are in almshouses.

The details, for each class of institutions, by states and territories, are given in the sections for each institution.

(3) RATIOS, BY ELEMENTS OF THE POPULATION.—To complete the view of this subject, the numbers of those whose ages are known and the ratios to 1,000,000 are given in the following table, by color, nativity, and race:

NUMBERS.

COLOR, NATIVITY, AND RACE. (a)	Total.	Under 1 year.	1-4 years.	5-9 years.	10-14 years.	Under 15 years.	15-19 years.	20-24 years.	25-29 years.	30-34 years.	35-44 years.	45-54 years.	55-64 years.	65 years and over.
Total.....	278,321	2,551	8,818	20,205	38,266	78,840	27,059	27,512	23,378	17,995	27,818	20,837	17,094	37,248
White.....	240,728	2,405	8,293	27,720	35,440	73,807	21,239	19,565	17,309	14,879	23,878	18,677	10,361	34,432
Native born:														
Parents native.....	113,734	1,805	5,476	10,130	18,838	42,249	10,987	9,052	7,858	6,014	10,400	7,556	5,000	13,052
Parents foreign.....	56,286	589	2,481	9,024	13,394	26,088	7,802	6,001	4,660	3,692	4,216	1,668	880	1,261
Foreign born.....	70,708	11	330	1,966	3,217	5,530	2,450	4,513	5,282	4,573	9,202	9,459	9,589	20,119
Colored.....	37,653	146	525	1,485	2,817	4,973	5,820	7,946	5,569	3,116	3,940	2,160	1,313	2,816
Negroes.....	35,903					4,433	5,389	7,728	5,427	2,974	3,732	2,090	1,293	2,792
Chinese.....	465					38	13	33	60	95	156	50	14	6
Indians.....	1,280					452	418	185	82	47	52	20	6	18

RATIOS TO 1,000,000.

Total.....	4,445	1,028	1,453	3,856	5,441	3,544	4,127	4,440	4,471	3,950	3,945	4,119	5,652	15,409
White.....	4,378	1,770	1,589	4,282	5,916	3,879	3,742	3,591	3,333	3,590	3,787	4,114	5,738	15,836
Native born:														
Parents native.....	3,310	1,917	1,517	3,840	4,751	3,203	3,093	2,842	3,067	2,783	2,772	2,771	3,413	9,114
Parents foreign.....	4,893	1,425	1,023	5,368	8,214	4,392	4,872	4,459	4,520	4,472	5,261	5,279	7,306	14,384
Foreign born.....	7,751	2,615	4,077	7,916	8,116	7,561	4,790	4,919	4,926	4,853	5,317	6,314	9,559	20,487
Colored.....	4,929	703	620	1,349	2,705	1,555	6,597	10,620	9,584	7,183	5,221	4,172	4,764	12,087
Negroes.....	4,807					1,412	6,186	10,564	9,690	7,254	5,274	4,183	4,819	13,189
Chinese.....	4,327					18,278	3,114	3,132	3,539	4,822	4,002	3,749	3,180	7,916
Indians.....	21,766					22,067	64,546	34,076	19,523	11,262	7,988	4,263	2,143	6,591

a The figures of this table are not fully shown in like classification in the principal tables, but they are derived from returns to the office.

The highest ratio to the million for all classes of institutions combined is that for the Indians, 21,766; then for the foreign whites, 7,751; native white with foreign parents, 4,893; negroes, 4,807; Chinese, 4,327; and native white with native parents, 3,310.

The percentage of the foreign white population cared for in institutions is two and one-third times as great as that of native white inmates of native parentage; and the mixed white population occupies a position about half way between the two. The difference is more marked in the earlier and later years of life, omitting the period between 15 and 45 years of age.

The ratios for each class of institutions, by color, nativity, and race, are as follows:

COLOR, NATIVITY, RACE, AND CLASSES OF INSTITUTIONS.	Total.	Under 1 year.	1-4 years.	5-9 years.	10-14 years.	15-19 years.	20-24 years.	25-29 years.	30-34 years.	35-44 years.	45-54 years.	55-64 years.	65 years and over.
All inmates.....	4,445	1,028	1,453	3,856	5,441	4,127	4,440	4,471	3,030	3,945	4,119	5,652	15,409
Prisons.....	1,297	4	2	4	95	1,370	3,180	3,127	2,419	1,904	1,356	867	403
Juvenile reformatories.....	232		4	93	962	1,029	30	10					
Almshouses.....	1,145	508	290	235	183	248	445	655	906	1,348	2,035	3,515	9,040
Benevolent institutions.....	1,771	1,118	1,157	3,524	4,201	1,480	776	679	605	633	728	1,270	5,360
Native born—white:													
Parents native.....	3,310	1,917	1,517	3,640	4,751	3,093	2,842	3,087	2,783	2,772	2,771	3,413	0,114
Prisons.....	733	4	2	3	34	752	1,861	2,009	1,515	1,195	707	473	205
Juvenile reformatories.....	180		2	58	688	873	31	5					
Almshouses.....	972	617	342	235	227	300	494	712	951	1,271	1,677	2,399	6,416
Benevolent institutions.....	1,425	1,296	1,171	3,294	3,802	1,168	456	361	317	306	327	541	2,493
Parents foreign.....	4,893	1,425	1,623	5,368	8,214	4,872	4,459	4,536	4,472	5,261	5,279	7,306	14,384
Prisons.....	1,362	5	2		31	1,103	3,201	3,396	3,038	3,055	2,573	1,775	673
Juvenile reformatories.....	448		7	188	1,547	1,359	67	19					
Almshouses.....	410	271	164	136	109	103	267	390	602	1,165	1,500	3,361	7,654
Benevolent institutions.....	2,673	1,149	1,450	5,044	6,527	2,307	924	731	832	1,041	1,146	2,170	6,057
Foreign born—white.....	7,751	2,015	4,077	7,916	8,110	4,700	4,919	4,926	4,853	5,317	6,314	9,550	29,487
Prisons.....	1,742		12	8	56	1,187	2,416	2,502	2,400	2,204	1,764	1,202	626
Juvenile reformatories.....	189		37	229	1,594	1,034	22	18					
Almshouses.....	2,909	238	267	129	139	225	517	819	1,150	1,777	3,013	5,753	16,616
Benevolent institutions.....	2,871	2,377	3,761	7,550	6,327	2,254	1,964	1,587	1,303	1,336	1,537	2,604	12,245
Negroes.....	4,807					6,186	10,564	9,699	7,254	5,274	4,183	4,819	13,180
Prisons.....	3,180					4,440	9,750	8,796	6,278	4,078	2,500	1,707	888
Juvenile reformatories.....	258					1,065	44	4					
Almshouses.....	829					315	476	597	742	974	1,425	2,497	9,958
Benevolent institutions.....	545					357	285	302	234	222	258	615	2,043
Chinese.....	4,327					3,114	3,132	3,539	4,822	4,902	3,749	3,130	7,016
Prisons.....	3,741					3,114	2,753	3,303	4,568	4,619	3,599	2,236	6,597
Juvenile reformatories.....	9												
Almshouses.....	121							59	51	189	75	871	1,319
Benevolent institutions.....	456						379	177	203	94	75	223	
Indians.....	21,766					64,546	34,076	19,528	11,962	7,988	4,260	2,143	6,591
Prisons.....	5,356					5,868	15,841	18,576	11,199	6,605	3,195	1,429	732
Juvenile reformatories.....	204					926							
Almshouses.....	578					309	368		509	768	1,065	714	4,394
Benevolent institutions.....	15,628					57,443	17,867	952	254	615			1,465

All the foregoing ratios have been obtained by comparison with the figures contained in the following table, which gives the analysis, by age, sex, color, nativity, and parentage, of the population at large. These figures furnish the major terms for the proportions, and they have been used as divisors.

SEX, COLOR, NATIVITY, AND RACE.	Total.	Under 1 year.	1 to 4 years.	5 to 9 years.	10 to 14 years.	Total under 15 years.	15 to 10 years.
Total population.....	62,622,250	1,566,734	6,067,859	7,573,998	7,033,509	22,242,200	6,557,563
Male.....	32,067,880	799,373	3,085,496	3,830,352	3,574,787	11,290,008	3,248,711
Female.....	30,554,370	767,361	2,982,463	3,743,646	3,458,722	10,952,192	3,308,852
White.....	54,983,890	1,359,120	5,220,528	6,473,168	5,991,972	19,044,788	5,675,347
Male.....	28,206,332	694,766	2,656,338	3,276,983	3,044,058	9,672,145	2,818,914
Female.....	26,777,558	664,354	2,564,190	3,196,185	2,947,914	9,372,643	2,856,433
Native born.....	45,862,023	1,354,914	5,138,105	6,224,817	5,595,593	18,313,429	5,154,052
Male.....	23,254,474	692,020	2,614,438	3,150,913	2,842,899	9,300,876	2,561,256
Female.....	22,607,549	662,894	2,523,667	3,073,904	2,752,694	9,012,553	2,592,796
Parents native.....	34,358,348	941,657	3,609,025	4,431,900	3,964,906	12,947,488	3,552,524
Male.....	17,472,903	482,794	1,841,199	2,247,898	2,020,917	6,592,718	1,770,908
Female.....	16,885,445	458,863	1,767,826	2,184,002	1,943,989	6,354,770	1,781,616
Parents foreign.....	11,503,075	413,257	1,529,080	1,792,917	1,030,087	5,305,941	1,601,528
Male.....	5,781,571	209,832	773,299	903,045	821,982	2,708,158	790,348
Female.....	5,722,104	203,425	755,781	889,872	808,705	2,657,783	811,180
Foreign born.....	9,121,867	4,206	82,423	248,351	396,379	731,359	521,295
Male.....	4,051,858	2,140	41,900	120,070	201,159	371,269	257,658
Female.....	4,170,009	2,066	40,523	122,281	195,220	360,090	263,637
Colored.....	7,638,300	207,614	847,431	1,100,830	1,041,537	3,197,412	882,216
Male.....	3,861,548	104,607	429,158	553,369	530,720	1,617,863	429,797
Female.....	3,776,812	103,007	418,273	547,461	510,808	1,579,549	452,419
Negroes.....	7,470,040	^a 1,047,986	1,093,082	1,033,701	3,174,769	871,118
Male.....	3,725,561	530,212	540,178	526,450	1,605,840	422,258
Female.....	3,744,479	517,774	543,904	507,251	1,568,929	448,860
Chinese.....	107,475	^a 7,059	67,748	67,836	2,079	4,175
Male.....	103,007	3,553	4,191	4,279	1,285	3,816
Female.....	3,868	3,506	3,557	3,557	794	329
Japanese.....	2,039	81	447
Male.....	1,780	40	306
Female.....	259	32	51
Indians.....	58,800	20,483	6,476
Male.....	30,000	10,689	3,297
Female.....	28,206	9,794	3,179

^a Under 5 years.

^b Chinese, Japanese, and Indians.

SEX, COLOR, NATIVITY, AND RACE.	20 to 24 years.	25 to 29 years.	30 to 34 years.	35 to 44 years.	45 to 54 years.	55 to 64 years.	65 years and over.	Unknown.
Total population.....	6,196,676	5,227,777	4,578,630	7,051,679	5,057,902	3,130,370	2,417,288	162,165
Male.....	3,104,893	2,098,311	2,425,064	3,705,648	2,027,024	1,630,373	1,233,719	103,529
Female.....	3,091,783	2,529,466	2,152,966	3,346,031	2,430,878	1,499,997	1,183,569	58,636
White.....	5,448,407	4,046,687	4,144,832	6,305,578	4,540,169	2,854,769	2,202,112	121,141
Male.....	2,740,864	2,407,153	2,200,973	3,327,806	2,354,204	1,479,763	1,124,304	80,646
Female.....	2,707,603	2,239,534	1,943,859	2,978,212	2,185,965	1,375,006	1,077,808	40,495
Native born.....	4,531,093	3,574,448	3,202,512	4,575,032	3,043,134	1,851,991	1,519,808	96,524
Male.....	2,264,640	1,804,008	1,651,874	2,358,789	1,537,751	947,177	763,487	64,016
Female.....	2,266,453	1,769,840	1,550,638	2,216,243	1,505,383	904,814	756,321	32,508
Parents native.....	3,185,167	2,545,181	2,376,869	3,773,703	2,727,152	1,730,312	1,432,140	27,812
Male.....	1,604,239	1,295,025	1,220,228	1,944,905	1,374,640	883,493	718,548	59,190
Female.....	1,580,928	1,250,156	1,147,641	1,828,798	1,352,503	846,819	713,592	28,622
Parents foreign.....	1,345,926	1,029,267	825,643	801,329	315,982	121,679	87,668	8,712
Male.....	660,401	509,583	422,646	413,884	163,102	63,684	44,039	4,826
Female.....	685,525	519,684	402,997	387,445	152,880	57,995	42,729	3,886
Foreign born.....	917,374	1,072,239	942,320	1,730,546	1,497,035	1,002,778	682,804	24,617
Male.....	476,224	602,545	540,099	908,577	810,453	532,580	300,817	16,630
Female.....	441,150	469,694	393,221	701,969	686,582	470,192	321,487	7,987
Colored.....	748,269	581,090	433,798	746,301	517,733	275,601	215,176	41,024
Male.....	364,029	291,158	224,691	378,282	272,820	150,610	109,415	22,883
Female.....	384,190	289,932	209,107	367,819	244,913	124,991	105,761	18,141
Negroes.....	731,548	559,551	409,077	707,681	499,679	268,320	211,684	35,813
Male.....	350,392	272,044	203,361	343,658	257,301	144,761	107,311	18,435
Female.....	381,156	287,507	206,616	363,723	242,378	123,559	104,373	17,378
Chinese.....	10,535	16,952	10,702	31,822	13,337	4,473	758	3,642
Male.....	10,051	16,470	10,147	31,016	13,062	4,411	747	3,572
Female.....	484	482	555	806	275	62	11	70
Japanese.....	697	388	190	188	22	3	3	15
Male.....	610	340	176	170	17	4	3	15
Female.....	87	48	14	18	5	4		
Indians.....	5,429	4,199	3,929	6,510	4,695	2,800	2,731	1,554
Male.....	2,976	2,304	2,007	3,238	2,440	1,434	1,354	861
Female.....	2,453	1,895	1,922	3,272	2,255	1,366	1,377	693

MARITAL RELATIONS.

The marital relations of 6,956 (5,003 male and 1,953 female) are unknown. Of the remaining 275,174 (178,442 male and 96,732 female), the number unmarried is 196,621 (130,242 male and 66,379 female); married, 42,372 (31,185 male and 11,187 female); widowed, 34,450 (15,756 male and 18,694 female); divorced, 1,731 (1,259 male and 472 female).

I.—BY GEOGRAPHICAL DIVISIONS.

BOTH SEXES.

GEOGRAPHICAL DIVISIONS.	NUMBERS.						PERCENTAGES. (a)			
	Total.	Single.	Married.	Widowed.	Divorced.	Not stated.	Single.	Married.	Widowed.	Divorced.
The United States.....	282,130	196,621	42,372	34,450	1,731	6,956	71.45	15.40	12.52	0.63
North Atlantic.....	129,184	90,239	17,809	17,884	359	2,893	71.45	14.10	14.10	0.29
South Atlantic.....	28,551	19,002	5,213	3,462	78	796	68.46	18.78	12.48	0.28
North Central.....	79,169	56,225	11,147	8,098	923	1,876	72.74	14.42	11.64	1.20
South Central.....	28,641	18,306	6,482	2,735	222	896	65.98	23.36	9.86	0.80
Western.....	16,585	12,849	1,721	1,371	149	495	79.86	10.70	8.52	0.92

MALE.

The United States.....	183,445	130,242	31,185	15,756	1,259	5,003	72.99	17.48	8.83	0.70
North Atlantic.....	78,854	57,448	11,901	7,019	245	1,641	74.40	15.41	9.87	0.32
South Atlantic.....	18,484	12,094	4,262	1,436	52	640	67.78	23.88	8.05	0.29
North Central.....	52,239	37,721	7,837	4,515	659	1,507	74.35	15.45	8.90	1.30
South Central.....	20,956	13,010	5,767	1,257	177	745	64.37	28.53	6.22	0.88
Western.....	12,912	9,969	1,418	929	126	470	80.12	11.40	7.47	1.01

FEMALE.

The United States.....	96,685	66,379	11,187	18,694	472	1,953	68.62	11.56	19.33	0.49
North Atlantic.....	50,330	32,792	5,907	10,265	114	1,252	66.82	12.04	20.91	0.23
South Atlantic.....	10,067	6,907	952	2,026	26	156	69.69	9.61	20.44	0.26
North Central.....	26,930	18,504	3,310	4,483	264	309	69.07	12.46	16.88	0.99
South Central.....	7,685	5,290	715	1,478	45	151	70.29	9.49	19.02	0.60
Western.....	3,073	2,880	303	442	23	25	78.95	8.30	12.12	0.63

a The percentages are calculated on the total basis of 275,174 reported, omitting 6,956 not stated.

Of the single, the largest percentage is found in the Western division, 79.86, and the smallest in the South Central, 65.98. In accordance with this statement, the largest percentage of the married is found in the South Central division, 23.36, and the smallest in the Western, 10.70. The largest percentage of widows and widowers is in the North Atlantic division, 14.16, and of the divorced, in the North Central, 1.20.

The percentage of widowed, 12.52, is nearly equal to the percentage of married, but it is to be remarked that, while the percentage of male inmates who are married is about double that of the widowed, the percentage of female inmates who are widowed considerably exceeds that of the married. The percentage of divorced is much larger among male than among female inmates, and the percentage of the married somewhat larger.

CRIME, PAUPERISM, AND BENEVOLENCE.

II.—MARITAL RELATIONS, BY ELEMENTS OF THE POPULATION.

BOTH SEXES.

COLOR, NATIVITY, AND RACE.	NUMBERS.						PERCENTAGES. (a)			
	Total.	Single.	Married.	Widowed.	Divorced.	Not stated.	Single.	Married.	Widowed.	Divorced.
Total	232,130	196,621	42,372	34,450	1,731	6,956	71.45	15.40	12.52	0.63
White	243,627	171,992	33,182	31,379	1,531	5,543	72.24	13.94	13.18	0.64
Native born	164,475	130,507	18,020	12,665	1,115	2,168	80.41	11.10	7.80	0.69
Parents native	60,285	48,419	11,097	8,563	743	463	70.35	16.13	12.44	1.03
One parent foreign	9,849	8,259	933	559	62	86	84.16	9.51	5.70	0.63
Parents foreign	44,313	39,072	3,541	1,977	133	190	88.55	8.03	3.12	0.30
One or both parents unknown	41,028	34,757	2,449	2,166	177	1,479	87.88	6.19	5.48	0.45
Foreign born	71,307	35,820	14,640	13,256	385	2,200	51.84	21.18	26.42	0.58
Nativity unknown	7,815	5,059	522	453	31	1,175	84.84	7.83	6.87	0.46
Colored	38,503	24,629	9,190	3,071	200	1,413	66.40	24.78	8.28	0.54
Negroes	36,727	23,249	8,950	3,050	166	1,282	65.59	25.25	8.61	0.55
Chinese	462	248	85	4	1	124	73.37	25.15	1.18	0.30
Japanese	21	17	8	1	80.95	14.29	4.76
Indians	1,293	1,115	152	16	3	7	86.70	11.82	1.25	0.23

MALE.

Total	183,445	130,242	31,185	15,756	1,259	5,003	72.99	17.48	8.83	0.70
White	152,836	110,634	23,075	14,235	1,079	3,813	74.24	15.49	9.55	0.72
Native born	103,480	82,211	13,189	5,765	781	1,534	80.64	12.94	5.65	0.77
Parents native	45,215	31,833	8,539	3,922	548	323	71.02	10.02	8.74	1.22
One parent foreign	6,478	5,435	705	266	44	28	84.26	10.93	4.13	0.68
Parents foreign	28,417	24,962	2,512	699	103	141	88.23	8.88	2.47	0.37
One or both parents unknown	23,370	19,931	1,433	878	86	1,042	89.26	6.42	3.93	0.39
Foreign born	45,012	25,368	9,670	8,320	289	1,365	53.12	22.16	19.06	0.66
Nativity unknown	4,344	3,055	216	150	9	914	89.07	6.80	4.37	0.29
Colored	30,609	19,608	8,110	1,521	180	1,190	66.65	27.57	5.17	0.61
Negroes	29,291	18,664	7,886	1,504	178	1,061	66.11	27.94	5.33	0.62
Chinese	452	238	85	4	1	124	72.56	25.91	1.22	0.31
Japanese	20	17	2	1	85.00	10.00	5.00
Indians	346	689	137	12	3	5	81.92	16.29	1.43	0.80

FEMALE.

Total	98,685	66,379	11,187	18,694	472	1,953	68.62	11.56	19.33	0.49
White	90,791	61,358	10,107	17,144	452	1,730	68.89	11.35	19.25	0.51
Native born	60,995	48,296	4,831	6,900	334	634	80.01	8.01	11.43	0.55
Parents native	24,070	16,536	2,558	4,641	195	140	69.10	10.69	19.39	0.82
One parent foreign	3,371	2,824	228	293	18	8	83.97	6.78	8.71	0.54
Parents foreign	15,896	14,110	1,029	678	30	49	89.04	6.49	4.28	0.19
One or both parents unknown	17,658	14,826	1,016	1,288	91	427	86.09	5.90	7.48	0.53
Foreign born	26,295	10,458	4,970	9,936	96	835	41.08	19.52	39.02	0.38
Nativity unknown	3,501	2,004	306	308	22	261	80.37	9.44	9.51	0.68
Colored	7,894	5,021	1,080	1,550	20	223	65.45	14.08	20.21	0.26
Negroes	7,436	4,585	1,064	1,546	20	221	63.55	14.74	21.43	0.28
Chinese	10	10	100.00
Japanese	1	1	100.00
Indians	447	426	15	4	2	95.73	3.37	0.90

a The percentages are calculated on the total basis of 275,174 reported, omitting 6,956 not stated.

For the whites the percentage of the single is lowest among the foreign born, 51.84, and highest among natives with parents foreign, 88.55. The percentages of the married and the widowed are highest among the foreign born and next among those with both parents native. The percentage of the divorced is highest among those with both parents native.

The percentage of the single is less, and of the married greater, among the colored than among whites. This is true for both sexes.

III.—MARITAL RELATIONS, BY GROUPS OF CRIMES.

BOTH SEXES.

OFFENSES.	NUMBERS.						PERCENTAGES. (a)			
	Total.	Single.	Married.	Widowed.	Divorced.	Not stated.	Single.	Married.	Widowed.	Divorced.
All offenses.....	97,175	65,346	24,034	4,199	858	2,738	69.19	25.45	4.45	0.91
Against the government.....	1,857	700	478	58	14	547	58.01	36.49	4.43	1.07
Against society.....	25,795	17,606	5,971	1,480	182	496	69.83	23.60	5.85	0.72
Against the person.....	17,589	9,512	6,305	1,104	205	373	55.25	30.62	6.41	1.72
Against property.....	42,222	30,327	9,578	1,287	314	716	73.07	23.07	3.10	0.76
On the high seas.....	4	3				1	100.00			
Miscellaneous.....	9,708	7,078	1,702	270	53	605	77.75	18.70	2.97	0.58

MALE.

All offenses.....	87,459	59,550	21,501	3,051	791	2,566	70.15	25.33	3.59	0.93
Against the government.....	1,841	755	470	55	14	547	58.35	36.32	4.25	1.08
Against society.....	20,255	14,062	4,382	697	146	368	73.73	22.03	3.51	0.73
Against the person.....	16,802	9,180	6,020	960	231	361	55.84	36.61	5.84	1.71
Against property.....	40,551	29,313	9,090	1,147	299	702	73.56	22.81	2.88	0.75
On the high seas.....	4	3				1	100.00			
Miscellaneous.....	8,006	5,637	1,539	192	51	587	75.08	20.74	2.50	0.69

FEMALE.

All offenses.....	9,716	5,796	2,533	1,148	67	172	60.73	26.54	12.03	0.70
Against the government.....	16	5	8	3			31.25	50.00	18.75	
Against society.....	5,540	3,004	1,589	783	86	128	55.51	29.36	14.47	0.66
Against the person.....	787	332	285	144	14	12	42.84	36.77	18.58	1.81
Against property.....	1,671	1,014	488	140	15	14	61.19	29.45	8.45	0.91
Miscellaneous.....	1,702	1,441	193	78	2	18	85.57	9.68	4.63	0.12

a The percentages are calculated on the total basis of 94,437 reported, omitting 2,738 not stated.

The tendency to crimes against property and against society is specially noticeable among the single, and against the government and against the person among the married. Among criminal widows and widowers there is a high percentage of crime against the person. Of 4,199 prisoners and juvenile offenders belonging to this group, 1,104 are charged with crimes against the person, of which 703 are homicides. The ratios of divorced prisoners and juvenile offenders charged with homicide and that of the total number in that group are about the same.

LITERACY AND ILLITERACY.

In making the tables showing the education of inmates of institutions it has been assumed that, where the enumerators do not report an individual as unable to read or write, the affirmative answer was intended. On this assumption, the number of those who can read and write is 208,384, or 73.86 per cent; of those who can read only, 10,447, or 3.70 per cent; of those who can neither read nor write, 63,299, or 22.44 per cent.

I.—BY GEOGRAPHICAL DIVISIONS.

BOTH SEXES.

GEOGRAPHICAL DIVISIONS.	NUMBERS.				PERCENTAGES.		
	Total.	Can neither read nor write.	Can read only.	Can both read and write. (a)	Can neither read nor write.	Can read only.	Can both read and write. (a)
The United States.....	282,130	63,290	10,447	208,384	22.44	3.70	73.86
North Atlantic.....	120,184	20,570	4,340	104,274	15.92	3.36	80.72
South Atlantic.....	28,551	11,946	1,491	15,114	41.84	5.22	52.94
North Central.....	79,169	10,395	2,980	59,794	20.71	3.76	75.53
South Central.....	28,041	12,260	1,376	15,005	42.81	4.80	52.39
Western.....	16,585	2,128	260	14,197	12.83	1.57	85.60
MALE.							
The United States.....	183,445	36,860	5,762	138,603	21.19	3.14	75.67
North Atlantic.....	78,554	10,534	1,970	66,350	13.36	2.50	84.14
South Atlantic.....	18,484	8,027	960	9,497	43.43	5.19	51.98
North Central.....	52,239	9,308	1,657	41,274	17.82	3.17	79.01
South Central.....	20,956	9,372	963	10,621	44.72	4.60	50.68
Western.....	12,912	1,639	212	11,061	12.69	1.64	85.67
FEMALE.							
The United States.....	98,685	24,419	4,685	69,581	24.74	4.75	70.51
North Atlantic.....	50,330	10,036	2,370	37,924	19.94	4.71	75.35
South Atlantic.....	10,067	3,919	531	5,617	38.93	5.27	55.80
North Central.....	26,930	7,087	1,323	18,520	26.32	4.91	68.77
South Central.....	7,685	2,888	413	4,384	37.58	5.37	57.05
Western.....	3,673	489	48	3,136	13.31	1.31	85.38

a Including those not stated.

The highest percentage of those who can both read and write is found in the Western division, 85.60; then in the North Atlantic, 80.72; in the North Central, 75.53; in the South Atlantic, 52.94; in the South Central, 52.39.

The highest percentages of illiteracy are found in the south, and the lowest in the far west. This is true for both sexes.

INMATES OF ALL INSTITUTIONS.

II.—EDUCATION, BY ELEMENTS OF THE POPULATION.

BOTH SEXES.

COLOR, NATIVITY, AND RACE.	NUMBERS.				PERCENTAGES.		
	Total.	Can neither read nor write.	Can read only.	Can both read and write. (a)	Can neither read nor write.	Can read only.	Can both read and write. (a)
Total	282,130	63,209	10,447	208,384	22.44	3.70	73.86
White	243,627	43,392	8,268	191,967	17.81	3.39	78.80
Native born.....	164,475	25,431	4,103	134,041	15.46	2.50	82.04
Parents native.....	60,285	11,314	2,235	55,736	16.33	3.23	80.44
One parent foreign.....	9,849	870	100	8,783	8.83	1.99	89.18
Parents foreign.....	44,313	3,889	670	39,754	8.78	1.51	89.71
One or both parents unknown.	41,028	9,358	1,002	30,668	22.81	2.44	74.75
Foreign born.....	71,307	15,813	4,006	51,488	22.17	5.62	72.21
Nativity unknown.....	7,845	2,148	159	5,538	27.38	2.03	70.59
Colored	38,503	19,907	2,179	16,417	51.70	5.66	42.64
Negroes.....	36,727	19,483	2,167	15,077	53.05	5.90	41.05
Chinese.....	462	180	4	278	38.96	0.87	60.17
Japanese.....	21	10	11	47.62	52.38
Indians.....	1,293	294	8	1,051	18.10	0.62	81.28
MALE.							
Total	133,445	33,880	5,762	138,803	21.19	3.14	75.67
White	152,836	23,154	4,048	125,634	15.15	2.65	82.20
Native born.....	103,480	13,469	2,063	87,048	13.02	1.99	84.99
Parents native.....	45,215	5,910	1,133	38,172	13.07	2.51	84.42
One parent foreign.....	6,478	498	97	5,883	7.69	1.50	90.81
Parents foreign.....	23,417	2,122	351	25,044	7.47	1.23	91.80
One or both parents unknown.	23,870	4,939	482	17,949	21.14	2.06	76.80
Foreign born.....	45,012	8,474	1,898	34,640	18.82	4.22	76.96
Nativity unknown.....	4,344	1,211	87	3,046	27.88	2.00	70.12
Colored	30,609	15,726	1,714	13,169	51.38	5.60	43.02
Negroes.....	29,291	15,335	1,703	12,253	52.35	5.82	41.83
Chinese.....	452	179	4	269	39.60	0.89	59.51
Japanese.....	20	10	10	50.00	50.00
Indians.....	846	202	7	637	23.88	0.83	75.29
FEMALE.							
Total	98,685	24,419	4,685	69,581	24.74	4.75	70.51
White	90,791	20,238	4,220	66,333	22.29	4.65	73.06
Native born.....	60,995	11,962	2,040	46,993	19.61	3.35	77.04
Parents native.....	24,070	5,404	1,102	17,564	22.45	4.58	72.97
One parent foreign.....	3,371	372	99	2,900	11.03	2.04	86.03
Parents foreign.....	15,896	1,787	310	13,810	11.11	2.01	86.88
One or both parents unknown.	17,658	4,419	520	12,719	25.03	2.04	72.03
Foreign born.....	26,295	7,339	2,108	16,848	27.01	8.02	64.07
Nativity unknown.....	3,501	937	72	2,492	26.76	2.06	71.18
Colored	7,894	4,181	465	3,248	52.96	5.89	41.15
Negroes.....	7,436	4,148	464	2,824	55.78	6.24	37.98
Chinese.....	10	1	9	10.00	90.00
Japanese.....	1	1	100.00
Indians.....	447	32	1	414	7.16	0.22	92.62

a Including those not stated.

CRIME, PAUPERISM, AND BENEVOLENCE.

The highest percentage of illiteracy is found among the negroes, 53.05. The percentage for the Indians is 18.10. For the whites (omitting those whose nativity or parentage is unknown), the percentage of illiteracy among the foreign born is 22.17; among natives with both parents native, 16.33; one parent foreign, 8.83; both parents foreign, 8.78. Of the negroes, 5.90 per cent; of the foreign white, 5.62, and of the native white population of native parentage, 3.23 per cent are reported as able to read but not able to write.

III.—EDUCATION, BY GROUPS OF CRIMES.

BOTH SEXES.

OFFENSES.	NUMBERS.				PERCENTAGES.		
	Total.	Can neither read nor write.	Can read only.	Can both read and write. (a)	Can neither read nor write.	Can read only.	Can both read and write. (a)
All offenses.....	97,175	20,104	3,492	73,579	20.69	3.59	75.72
Against the government.....	1,857	214	36	1,607	11.52	1.94	86.54
Against society.....	25,795	3,657	891	21,247	14.18	3.45	82.37
Against the person.....	17,589	5,461	852	11,276	31.06	4.84	64.11
Against property.....	42,222	8,729	1,423	32,070	20.67	3.37	75.96
On the high seas.....	4	1	3	25.00	75.00
Miscellaneous.....	9,708	2,042	290	7,376	21.03	2.99	75.98
MALE.							
All offenses.....	87,459	18,168	2,931	66,360	20.77	3.35	75.88
Against the government.....	1,841	211	35	1,595	11.46	1.90	86.64
Against society.....	20,255	2,701	535	17,019	13.34	2.64	84.02
Against the person.....	16,892	5,159	793	10,850	30.70	4.72	64.58
Against property.....	40,551	8,270	1,318	30,963	20.39	3.25	76.36
On the high seas.....	4	1	3	25.00	75.00
Miscellaneous.....	8,006	1,823	250	5,930	22.81	3.12	74.07
FEMALE.							
All offenses.....	9,716	1,936	561	7,219	19.93	5.77	74.30
Against the government.....	16	3	1	12	18.75	6.25	75.00
Against society.....	5,540	956	356	4,228	17.26	6.42	76.32
Against the person.....	787	302	59	426	38.37	7.50	54.13
Against property.....	1,671	459	105	1,107	27.47	6.28	66.25
Miscellaneous.....	1,702	216	40	1,446	12.69	2.35	84.96

a Including those not stated.

TRADE EDUCATION.

The question as to trade education applies only to prisoners and inmates of juvenile reformatories, numbering in the aggregate 97,175. This question is not answered in 10,657 cases (8,579 male and 2,078 female). Of the remaining 86,518 (78,880 male and 7,638 female), the number reported as mechanics is 7,836 (7,786 male and 50 female); apprentices, 11,248 (10,986 male and 262 female); without a trade, 67,434 (60,108 male and 7,326 female).

I.—BY GEOGRAPHICAL DIVISIONS.

BOTH SEXES.

GEOGRAPHICAL DIVISIONS.	NUMBERS.					PERCENTAGES. (a)		
	Total.	Mechan-ics.	Appren-tices.	No trade.	Not stated.	Mechan-ics.	Appren-tices.	No trade.
The United States.....	97,175	7,836	11,248	67,434	10,657	9.06	13.00	77.94
North Atlantic.....	35,646	4,170	4,506	23,774	3,196	12.85	13.89	73.26
South Atlantic.....	12,702	390	748	10,235	1,329	3.43	6.58	89.99
North Central.....	25,305	1,839	3,677	16,772	3,017	8.25	16.50	75.25
South Central.....	16,443	410	1,173	12,303	2,557	2.95	8.45	88.60
Western.....	7,079	1,027	1,144	4,350	558	15.75	17.54	66.71
MALE.								
The United States.....	87,459	7,786	10,986	60,108	8,579	9.87	13.93	76.20
North Atlantic.....	30,585	4,144	4,323	19,772	2,346	14.67	15.31	70.02
South Atlantic.....	11,020	388	736	9,347	1,149	3.70	7.03	89.27
North Central.....	23,032	1,830	3,645	15,230	2,327	8.84	17.60	73.56
South Central.....	15,429	407	1,165	11,549	2,308	3.10	8.83	88.02
Western.....	6,793	1,017	1,117	4,210	440	16.03	17.61	66.36
FEMALE.								
The United States.....	9,716	50	262	7,326	2,078	0.65	3.43	95.92
North Atlantic.....	5,061	26	183	4,002	850	0.02	4.34	95.64
South Atlantic.....	1,083	2	12	888	180	0.22	1.33	98.45
North Central.....	2,273	9	32	1,542	690	0.57	2.02	97.41
South Central.....	1,014	3	8	754	249	0.39	1.05	98.56
Western.....	286	10	27	140	109	5.65	15.25	79.10

a The percentages are calculated on the total basis of 86,518 reported, omitting 10,657 not stated.

The highest percentage of mechanics appears to be in the Western division, 15.75; then in the North Atlantic, 12.85; in the North Central, 8.25; in the South Atlantic, 3.43; in the South Central, 2.95.

The percentages of apprentices are considerably larger, but follow substantially the same order, except that the percentages in the North and South Central divisions are larger than in the North and South Atlantic. The largest percentages of those who have no trade are in the South Atlantic and South Central divisions, and the smallest in the Western. The percentages without a trade are larger among the female than among the male inmates, but attention is called to the exceptionally large percentage of female mechanics in the Western division, which is 5.65.

CRIME, PAUPERISM, AND BENEVOLENCE.

II.—TRADE EDUCATION, BY ELEMENTS OF THE POPULATION.

BOTH SEXES.

COLOR, NATIVITY, AND RACE.	NUMBERS.					PERCENTAGES. (a)		
	Total.	Mechan- ics.	Appren- tices.	No trade.	Not stated.	Mechan- ics.	Appren- tices.	No trade.
Total	97,175	7,830	11,248	67,434	10,657	9.06	13.00	77.94
White	70,213	7,202	9,687	46,190	7,044	11.54	15.34	73.12
Native born.....	51,549	5,126	7,061	34,832	4,530	10.90	15.02	74.08
Parents native.....	24,282	2,373	3,291	16,628	1,990	10.65	14.76	74.59
One parent foreign.....	3,844	473	640	2,515	216	13.04	17.64	69.32
Parents foreign.....	16,566	2,006	2,608	10,793	1,099	12.97	17.25	69.78
One or both parents unknown..	6,857	274	462	4,896	1,225	4.87	8.20	86.93
Foreign born	17,337	2,154	2,571	10,818	1,794	13.86	16.54	69.00
Nativity unknown.....	1,327	12	55	540	720	1.98	9.06	88.96
Colored	26,962	544	1,561	21,244	3,613	2.33	6.60	90.98
Negroes	26,207	525	1,509	20,631	3,542	2.32	6.60	91.02
Chinese.....	408	7	81	315	55	1.98	8.78	89.24
Japanese	13	3	10	10	10	23.08	76.92
Indians	334	9	21	288	16	2.83	6.60	90.57
MALE.								
Total	87,459	7,786	10,986	60,108	8,579	9.87	13.93	76.20
White	62,802	7,247	9,448	40,721	5,476	12.62	16.40	70.92
Native born.....	46,791	5,095	6,924	31,225	3,547	11.79	16.01	72.20
Parents native.....	22,609	2,363	3,241	15,403	1,602	11.25	15.43	73.32
One parent foreign.....	3,450	470	626	2,195	159	14.28	19.02	66.70
Parents foreign.....	14,958	1,908	2,611	9,497	852	14.16	18.51	67.33
One or both parents unknown..	5,774	264	446	4,130	934	5.45	9.22	85.33
Foreign born	14,998	2,140	2,471	9,128	1,259	15.58	17.98	66.44
Nativity unknown.....	1,103	12	53	368	670	2.77	12.24	84.99
Colored	24,567	539	1,538	19,387	3,103	2.51	7.17	90.32
Negroes	23,830	520	1,489	18,785	3,030	2.50	7.16	90.34
Chinese.....	407	7	31	314	55	1.99	8.81	89.20
Japanese	12	3	9	9	9	25.00	75.00
Indians	318	9	18	279	12	2.94	5.88	91.18
FEMALE.								
Total	9,716	50	262	7,326	2,078	0.65	3.43	95.92
White	7,321	45	239	5,469	1,568	0.78	4.16	95.06
Native born.....	4,758	31	137	3,607	983	0.82	3.63	95.55
Parents native.....	1,673	10	50	1,225	388	0.78	3.89	95.33
One parent foreign.....	394	3	14	320	57	0.89	4.15	94.96
Parents foreign.....	1,608	8	57	1,296	247	0.59	4.19	95.22
One or both parents unknown..	1,083	10	16	766	291	1.26	2.02	96.72
Foreign born	2,339	14	100	1,690	535	0.78	5.54	93.68
Nativity unknown.....	221	2	172	50	1.15	98.85
Colored	2,395	5	23	1,857	510	0.27	1.22	98.51
Negroes	2,377	5	20	1,846	506	0.27	1.07	98.66
Chinese.....	1	1	100.00
Japanese	1	1	100.00
Indians	16	3	9	4	25.00	75.00

a The percentages are calculated on the total basis of 86,518 reported, omitting 10,657 not stated.

The highest percentage of those without a trade is found among the negroes, 91.02; then among the Indians, 90.57. The percentage for the colored is 90.98; for the whites, 73.12. Omitting those whose nativity or parentage is unknown, the percentage without a trade among the native population with native parents is larger than among the foreign born or the native with foreign parents.

The largest percentage, 79.61, without a trade, omitting those on the high seas and miscellaneous, is found among those against society; then crimes against the person, 79.20; against the government, 77.85; and the smallest against property, 75.25. There is a certain agreement between the statement just made and the statement that crimes against the person are associated with a low degree of intelligence and of education.

III.—TRADE EDUCATION, BY GROUPS OF CRIMES.

BOTH SEXES.

OFFENSES.	NUMBERS.					PERCENTAGES. (a)		
	Total.	Mechan-ics.	Appren-tices.	No trade.	Not stated.	Mechan-ics.	Appren-tices.	No trade.
All offenses.....	97,175	7,836	11,248	67,434	10,657	9.06	13.00	77.04
Against the government.....	1,857	144	194	1,188	331	9.44	12.71	77.85
Against society.....	25,795	2,289	2,329	18,093	3,144	10.11	10.28	79.61
Against the person.....	17,589	1,374	1,072	12,736	1,597	8.54	12.26	79.20
Against property.....	42,222	3,516	6,102	29,246	3,358	9.05	15.70	75.25
On the high seas.....	4			3	1			100.00
Miscellaneous.....	9,708	513	651	6,223	2,316	0.94	8.81	84.25
MALE.								
All offenses.....	87,459	7,786	10,086	60,103	8,579	9.87	13.93	76.20
Against the government.....	1,841	144	190	1,177	330	9.53	12.57	77.90
Against society.....	20,255	2,257	2,155	13,801	1,952	12.33	11.77	75.90
Against the person.....	16,802	1,368	1,055	12,072	1,467	8.89	12.70	78.41
Against property.....	40,551	3,509	6,046	27,858	3,138	9.38	16.16	74.46
On the high seas.....	4			3	1			100.00
Miscellaneous.....	8,006	508	640	5,107	1,751	8.12	10.23	81.65
FEMALE:								
All offenses.....	9,716	50	262	7,326	2,078	0.05	3.43	95.92
Against the government.....	16		4	11	1		26.67	73.33
Against society.....	5,540	32	174	4,142	1,192	0.74	4.00	95.26
Against the person.....	787	6	17	664	100	0.87	2.48	96.65
Against property.....	1,671	7	56	1,388	220	0.48	3.86	95.66
Miscellaneous.....	1,702	5	11	1,121	565	0.44	0.97	98.59

a The percentages are calculated on the total basis of 86,518 reported, omitting 10,657 not stated.

CRIME, PAUPERISM, AND BENEVOLENCE.

OCCUPATIONS PRIOR TO ADMISSION.

The question as to occupation prior to admission to a juvenile reformatory has no significance, since the inmates of that class of institutions are for the most part children and never had any occupation.

Of the 267,284 inmates of prisons, almshouses, and benevolent institutions, the question as to prior occupation is unanswered in 27,316 cases (14,693 male and 12,623 female).

Of the remaining 239,968 (157,217 male and 82,751 female) there are 105,205 (53,060 male and 52,145 female) who are said to have had no occupation. This leaves 134,763 (104,157 male and 30,606 female) who had an occupation, and whose occupation is known.

I.—BY GEOGRAPHICAL DIVISIONS.

BOTH SEXES.

OCCUPATIONS PRIOR TO ADMISSION.	NUMBERS.						PERCENTAGES.				
	The United States.	Geographical divisions.					Geographical divisions.				
		North Atlantic.	South Atlantic.	North Central.	South Central.	Western.	North Atlantic.	South Atlantic.	North Central.	South Central.	Western.
Total.....	267,284	121,796	27,258	73,718	28,282	16,230	45.57	10.20	27.58	10.58	6.07
Professional.....	2,114	775	141	753	229	216	36.66	6.67	35.62	10.83	10.22
Official.....	471	192	41	107	65	66	40.76	8.71	22.72	13.80	14.01
Agriculture.....	15,937	2,718	2,318	4,924	5,133	844	17.05	14.54	30.00	32.21	5.80
Transportation.....	8,800	4,004	680	2,186	1,071	859	45.50	7.73	24.84	12.17	9.76
Lumbering.....	274	49	19	97	53	56	17.88	6.94	35.40	19.34	20.44
Mining.....	1,998	567	83	422	150	776	28.38	4.15	21.12	7.51	38.84
Fisheries.....	270	137	66	26	13	28	50.74	24.44	9.63	4.82	10.37
Trade and commerce.....	5,794	3,127	309	1,527	385	446	53.97	5.33	26.36	6.64	7.70
Manufactures.....	30,134	15,468	2,144	8,069	2,152	2,301	51.33	7.11	26.78	7.14	7.64
Personal service.....	30,979	16,745	2,289	7,773	2,690	1,482	54.05	7.39	25.09	8.68	4.70
Unskilled labor.....	34,935	13,092	5,291	8,295	5,797	2,460	37.48	15.15	23.74	16.59	7.04
Miscellaneous.....	3,057	1,775	351	438	237	256	58.06	11.48	14.33	7.75	8.38
Not stated.....	27,316	9,388	3,451	10,817	3,076	584	34.37	12.63	39.60	11.26	2.14
No occupation.....	105,205	53,759	10,075	28,284	7,201	5,856	51.10	9.58	26.88	6.87	5.57

MALE.

Total.....	171,910	73,152	17,369	48,079	20,659	12,651	42.55	10.10	27.97	12.02	7.36
Professional.....	1,777	598	124	650	211	196	33.54	6.98	36.58	11.87	11.03
Official.....	468	191	40	107	64	66	40.81	8.55	22.86	13.68	14.10
Agriculture.....	15,687	2,689	2,237	4,896	5,023	842	17.14	14.26	31.21	32.02	5.37
Transportation.....	8,791	3,998	680	2,183	1,071	859	45.48	7.74	24.83	12.18	9.77
Lumbering.....	274	49	19	97	53	56	17.88	6.94	35.40	19.34	20.44
Mining.....	1,997	567	83	422	150	775	28.39	4.16	21.13	7.51	38.81
Fisheries.....	269	137	65	26	13	28	50.93	24.16	9.37	4.83	10.41
Trade and commerce.....	5,564	2,987	295	1,465	374	443	53.69	5.30	26.33	6.72	7.96
Manufactures.....	25,830	13,136	1,674	7,134	1,758	2,178	50.76	6.47	27.56	6.79	8.42
Personal service.....	8,078	2,989	703	2,223	1,086	987	37.00	9.82	27.52	13.44	12.22
Unskilled labor.....	34,160	12,772	5,106	8,207	5,621	2,454	37.39	14.95	24.03	16.45	7.18
Miscellaneous.....	1,212	608	208	133	73	190	50.17	17.16	10.97	6.02	15.68
Not stated.....	14,693	4,890	1,716	5,756	1,863	468	33.28	11.68	39.17	12.08	3.19
No occupation.....	53,060	27,543	4,329	14,780	3,290	3,109	51.91	8.16	27.85	6.22	5.86

FEMALE.

Total.....	95,374	48,644	9,889	25,039	7,623	3,579	51.01	10.37	26.88	7.99	8.75
Professional.....	337	179	17	103	18	20	53.12	5.04	30.56	5.34	5.94
Official.....	3	1	1	1	33.34	33.33	33.33
Agriculture.....	250	29	81	23	110	2	11.60	32.40	11.20	44.00	0.80
Transportation.....	9	6	3	66.67	33.33
Mining.....	1	1	100.00
Fisheries.....	1	1	100.00
Trade and commerce.....	230	140	14	62	11	3	60.87	6.09	26.96	4.78	1.80
Manufactures.....	4,254	2,332	470	935	394	123	54.82	11.05	21.98	9.26	2.89
Personal service.....	22,901	13,756	1,496	5,550	1,604	485	60.07	6.53	24.24	7.00	2.16
Unskilled labor.....	775	320	185	88	176	6	41.29	23.87	11.96	22.71	0.77
Miscellaneous.....	1,845	1,167	143	305	164	66	63.25	7.75	16.53	8.89	8.68
Not stated.....	12,623	4,498	1,735	5,061	1,213	116	35.63	13.75	40.09	9.61	0.92
No occupation.....	52,145	26,216	5,746	13,504	3,932	2,747	50.27	11.02	25.90	7.54	5.27

Of 134,763 inmates of institutions whose prior occupations are known, 34,935, or 25.92 per cent, were unskilled laborers; 30,979, or 22.99 per cent, were engaged in personal service; 30,134, or 22.36 per cent, in manufactures; 15,937, or 11.83 per cent, in agriculture; 8,800, or 6.53 per cent, in transportation; and 5,794, or 4.30 per cent, in trade and commerce.

Of 104,157 male inmates, 34,160, or 32.80 per cent, were unskilled laborers; 25,880, or 24.85 per cent, were employed in manufactures; 15,687, or 15.06 per cent, in agriculture; 8,791, or 8.44 per cent, in transportation; 8,078, or 7.76 per cent, in personal service; and 5,564, or 5.34 per cent, in trade and commerce.

Of 30,606 female inmates, 22,901, or 74.83 per cent, were engaged in personal service, and 4,254, or 13.90 per cent, in manufactures.

In the North Atlantic division the percentages higher than the average for that division are found among those engaged in personal service, trade and commerce, manufactures, and the fisheries.

In the South Atlantic division the percentages higher than the average are found among those engaged in the fisheries, unskilled labor, and agriculture.

In the North Central division the percentages higher than the average are found among those in professional life, or engaged in lumbering and agriculture.

In the South Central division the percentages higher than the average are found among those engaged in agriculture, lumbering, unskilled labor, official and professional service, and transportation.

In the Western division the percentages higher than the average are found among those engaged in mining, lumbering, official service, the fisheries, professional service, transportation, trade and commerce, manufactures, and unskilled labor.

CRIME, PAUPERISM, AND BENEVOLENCE.

II.—HABITUAL OCCUPATIONS, BY CLASSES OF INSTITUTIONS.

OCCUPATIONS PRIOR TO ADMISSION.	NUMBERS.				PERCENTAGES.			
	Total.	Prison-ers.	Paupers in alms-houses.	Inmates of benevolent insti-tutions.	Total.	Prison-ers.	Paupers in alms-houses.	Inmates of benevolent insti-tutions.
Total.....	267,284	82,329	73,045	111,910	100.00	100.00	100.00	100.00
Male.....	171,910	75,924	40,741	55,245	64.32	92.22	55.78	49.37
Female.....	95,374	6,405	32,304	56,665	35.68	7.78	44.22	50.63
Professional.....	2,114	1,159	335	620	0.79	1.41	0.46	0.55
Male.....	1,777	1,138	263	376	0.66	1.38	0.36	0.33
Female.....	337	21	72	244	0.13	0.03	0.10	0.22
Official.....	471	271	24	176	0.18	0.33	0.03	0.16
Male.....	468	271	24	173	0.18	0.33	0.03	0.16
Female.....	3			3	0.00			0.00
Agriculture.....	15,937	11,850	3,625	962	5.96	13.79	4.96	0.86
Male.....	15,687	11,236	3,515	936	5.87	13.65	4.81	0.84
Female.....	250	114	110	26	0.09	0.14	0.15	0.02
Transportation.....	8,800	5,289	779	2,732	3.29	6.42	1.07	2.44
Male.....	8,791	5,286	777	2,728	3.29	6.42	1.07	2.44
Female.....	9	3	2	4	0.00	0.00	0.00	0.00
Lumbering.....	274	193	40	41	0.10	0.23	0.05	0.04
Male.....	274	193	40	41	0.10	0.23	0.05	0.04
Female.....								
Mining.....	1,098	1,174	644	180	0.75	1.43	0.88	0.16
Male.....	1,097	1,174	643	180	0.75	1.43	0.88	0.16
Female.....	1		1		0.00		0.00	
Fisheries.....	270	179	38	53	0.10	0.22	0.05	0.05
Male.....	269	178	38	53	0.10	0.22	0.05	0.05
Female.....	1	1			0.00	0.00		
Trade and commerce.....	5,794	3,564	845	1,385	2.17	4.33	1.16	1.24
Male.....	5,564	3,526	816	1,222	2.08	4.28	1.12	1.09
Female.....	230	38	29	163	0.09	0.05	0.04	0.15
Manufactures.....	80,134	17,725	5,008	6,501	11.28	21.53	8.00	5.81
Male.....	25,880	17,196	5,096	3,588	9.69	20.89	6.98	3.21
Female.....	4,254	529	812	2,913	1.59	0.64	1.11	2.60
Personal service.....	30,079	10,336	10,803	9,840	11.59	12.55	14.79	8.79
Male.....	3,078	6,540	752	780	3.02	7.94	1.03	0.70
Female.....	22,901	3,796	10,051	9,064	8.57	4.61	13.76	8.09
Unskilled labor.....	84,935	23,160	8,006	3,769	13.07	23.13	10.96	3.37
Male.....	34,160	22,747	7,672	3,741	12.78	27.63	10.50	3.34
Female.....	775	413	334	28	0.29	0.50	0.46	0.03
Miscellaneous.....	3,057	402	291	2,364	1.14	0.49	0.40	2.11
Male.....	1,212	307	160	745	0.45	0.37	0.22	0.66
Female.....	1,845	95	131	1,619	0.60	0.12	0.18	1.45
Not stated.....	27,316	3,068	21,023	2,625	10.22	4.45	28.78	2.34
Male.....	14,693	2,853	10,691	1,140	5.50	3.46	14.64	1.02
Female.....	12,623	815	10,332	1,476	4.72	0.99	14.14	1.32
No occupation.....	105,205	3,850	20,684	80,662	39.36	4.60	28.32	72.08
Male.....	53,060	3,279	10,254	39,527	19.85	3.98	14.04	35.32
Female.....	52,145	580	10,430	41,135	19.51	0.71	14.28	36.76

a Loss than five-thousandths of 1 per cent.

The percentage of the unoccupied is largest for inmates of benevolent institutions, 72.08, and least for prisoners, 4.69. The inference from the figures given is that the want of occupation tends much more strongly to beget dependence than crime.

Of the specified occupations, the largest percentage is that for unskilled labor, 13.07; then for personal service, 11.59; manufactures, 11.28; agriculture, 5.96; transportation, 3.29; trade and commerce, 2.17; but the order is not the same for the different classes of institutions. The percentage of unskilled laborers in prison is twice as great as that of unskilled laborers in almshouses. The percentage of prisoners engaged in manufactures and in agriculture is also more than twice as great as of paupers in almshouses, but of those engaged in personal service a larger percentage is found in almshouses than in prisons.

The reason why more than twice as large a percentage of persons without an occupation is found in benevolent institutions as in almshouses, is the number of children included under this head.

Of all the specified industries, a larger percentage is generally found in almshouses than in benevolent institutions.

CONDITION AS TO EMPLOYMENT AT TIME OF ARREST.

As to 10,410 inmates of prisons and juvenile reformatories, it is not known whether they were employed or idle at the time of their arrest.

Of the remaining 86,765 (79,995 male and 6,770 female), there were employed 52,936 (49,153 male and 3,783 female); idle, 33,829 (30,842 male and 2,987 female). It must be remembered that the inmates of juvenile reformatories are so many of them children, or were children at the time of their commitment, that it was impossible to employ them. Any deductions from the statement here made therefore have less value than if attention is confined to the adult prison population. However, in order to give a complete view of the subject, the prisoners and juvenile offenders have been combined in the following summaries.

I.—BY GEOGRAPHICAL DIVISIONS.

BOTH SEXES.

GEOGRAPHICAL DIVISIONS.	NUMBERS.				PERCENTAGES. (α)	
	Total.	Employed.	Idle.	Notstated.	Employed.	Idle.
The United States.....	97,175	52,936	33,829	10,410	61.01	38.00
North Atlantic	85,046	17,912	14,351	3,383	55.52	44.48
South Atlantic	12,702	8,030	2,897	1,285	75.26	24.74
North Central	25,305	12,605	9,572	3,128	59.84	40.16
South Central.....	16,443	10,780	3,502	2,161	75.48	24.52
Western.....	7,079	3,009	3,567	503	45.76	54.24
MALE.						
The United States.....	87,459	49,153	30,842	7,464	61.45	38.55
North Atlantic	80,585	16,077	12,825	1,683	55.63	44.37
South Atlantic	11,620	8,002	2,481	1,137	76.33	23.67
North Central	23,082	11,889	8,946	2,197	57.06	42.94
South Central.....	15,429	10,243	3,131	2,055	70.59	29.41
Western.....	6,793	2,942	3,459	392	45.96	54.04
FEMALE.						
The United States.....	9,716	3,783	2,987	2,946	55.88	44.12
North Atlantic	5,061	1,835	1,526	1,700	54.00	45.40
South Atlantic	1,082	623	356	98	63.82	36.18
North Central	2,273	716	626	931	53.35	46.65
South Central.....	1,014	537	371	106	59.14	40.86
Western.....	286	67	108	111	38.29	61.71

α The percentages are calculated on the total basis of 86,765 reported, omitting 10,410 not stated.

The largest percentages of the employed are at the south, and the smallest in the Western division. The percentage of the employed is smaller among female than among male inmates. Of the entire number, about two-fifths were idle at the time of arrest, but in the Western division, of the male inmates more than one-half and of the female more than three-fifths.

CRIME, PAUPERISM, AND BENEVOLENCE.

II.—EMPLOYMENT, BY ELEMENTS OF THE POPULATION.

BOTH SEXES.

COLOR, NATIVITY, AND RACE.	NUMBERS.				PERCENTAGES. (a)	
	Total.	Employed.	Idle.	Not stated.	Employed.	Idle.
Total	97,175	52,936	33,829	10,410	61.01	38.99
White	70,213	35,481	27,493	7,239	50.34	43.66
Native born.....	51,540	25,723	20,953	4,888	55.10	44.90
Parents native.....	24,282	13,987	8,660	1,635	61.76	38.24
One parent foreign.....	3,844	1,770	1,725	343	50.73	40.27
Parents foreign.....	16,566	7,484	7,592	1,490	49.04	50.96
One or both parents unknown.....	6,857	2,470	2,981	1,400	45.37	54.63
Foreign born.....	17,837	9,596	6,132	1,600	61.01	38.99
Nativity unknown.....	1,327	162	403	762	28.67	71.33
Colored	26,062	17,455	6,330	3,171	78.37	20.63
Negroes.....	26,207	17,198	5,966	3,043	74.24	25.76
Chinese.....	408	134	223	51	37.54	62.46
Japanese.....	13	6	7	46.15	53.85
Indians.....	334	117	140	77	45.53	54.47
MALE.						
Total	87,459	49,153	30,842	7,464	61.45	38.55
White	62,892	32,949	25,312	4,637	56.55	43.45
Native born.....	46,791	24,322	19,527	2,042	55.47	44.53
Parents native.....	22,609	13,401	8,106	1,102	62.31	37.69
One parent foreign.....	3,450	1,685	1,620	145	50.98	49.02
Parents foreign.....	14,958	7,044	7,196	718	49.47	50.53
One or both parents unknown.....	5,774	2,192	2,605	977	45.70	54.30
Foreign born.....	14,998	8,481	5,514	1,003	60.60	39.40
Nativity unknown.....	1,103	140	271	692	34.06	65.94
Colored	24,567	16,210	5,530	2,827	74.56	25.44
Negroes.....	23,830	15,956	5,170	2,704	75.53	24.47
Chinese.....	407	133	223	51	37.36	62.64
Japanese.....	12	6	6	50.00	50.00
Indians.....	318	115	131	72	46.75	53.25
FEMALE.						
Total	9,716	3,783	2,987	2,946	55.88	44.12
White	7,321	2,538	2,181	2,602	53.78	46.22
Native born.....	4,758	1,401	1,431	1,926	49.47	50.53
Parents native.....	1,673	586	554	533	51.40	48.60
One parent foreign.....	394	91	105	198	40.43	59.57
Parents foreign.....	1,693	440	399	772	52.63	47.37
One or both parents unknown.....	1,083	284	376	423	43.03	56.97
Foreign born.....	2,339	1,115	618	606	64.34	35.66
Nativity unknown.....	224	22	182	70	14.29	85.71
Colored	2,395	1,245	800	344	60.70	39.30
Negroes.....	2,277	1,242	790	330	60.94	39.06
Chinese.....	1	1	100.00
Japanese.....	1	1	100.00
Indians.....	16	2	9	5	18.18	81.82

a The percentages are calculated on the total basis of 88,765 reported, omitting 10,410 not stated.

The percentage of the idle is lowest among the negroes, 25.76; among the whites, omitting those whose nativity or parentage is unknown, it is least among the natives with native parents, and greatest among the natives with parents foreign. The difference in this regard between the natives with native parents and the foreign born is very slight.

III.—EMPLOYMENT, BY GROUPS OF CRIMES.

BOTH SEXES.

OFFENSES.	NUMBERS.				PERCENTAGES. (a)	
	Total.	Employed.	Idle.	Not stated.	Employed.	Idle.
All offenses.....	97,175	52,936	33,829	10,410	61.01	38.99
Against the government.....	1,857	1,158	580	119	68.63	33.37
Against society.....	25,795	11,357	11,126	3,312	50.51	49.49
Against the person.....	17,589	12,808	3,555	1,226	78.27	21.73
Against property.....	42,222	24,464	15,018	2,740	61.96	38.04
On the high seas.....	4	3	1	75.00	25.00
Miscellaneous.....	9,708	3,146	3,549	3,013	46.99	53.01
MALE.						
All offenses.....	87,450	49,153	30,842	7,464	61.45	38.55
Against the government.....	1,841	1,147	575	119	66.81	33.39
Against society.....	20,255	9,178	9,104	1,973	50.20	49.80
Against the person.....	16,802	12,281	3,398	1,123	78.33	21.67
Against property.....	40,551	23,569	14,539	2,443	61.85	38.15
On the high seas.....	4	3	1	75.00	25.00
Miscellaneous.....	3,006	2,975	3,225	1,806	47.98	52.02
FEMALE.						
All offenses.....	9,716	3,783	2,987	2,946	55.83	44.12
Against the government.....	16	11	5	68.75	31.25
Against society.....	5,540	2,179	2,022	1,330	51.87	48.13
Against the person.....	787	527	157	103	77.05	22.95
Against property.....	1,671	895	479	297	65.14	34.86
Miscellaneous.....	1,702	171	324	1,207	34.55	65.45

a The percentages are calculated on the total basis of 86,765 reported, omitting 10,410 not stated.

It is very clear from the foregoing statement that idleness and disorder are closely related. Of those charged with offenses against society, on the basis of those stated, one-half are idle; of those charged with offenses against property, less than two-fifths; of those charged with crimes against the person, very little more than one-fifth.

OCCUPATIONS IN INSTITUTIONS.

Of 97,175 prisoners and juvenile offenders in the aggregate, the occupations of 24,076 (21,101 male and 2,975 female) are not stated.

The number reported to be engaged in prison duties is 20,482 (16,232 male and 4,250 female).

Of the remaining 52,617, the number whose occupations have not been classified is 16,363 (15,033 male and 1,330 female).

The investigation has therefore resulted in obtaining the occupations of only 36,254 (35,093 male and 1,161 female).

CRIME, PAUPERISM, AND BENEVOLENCE.

I.—OCCUPATIONS IN INSTITUTIONS, BY GEOGRAPHICAL DIVISIONS.

BOTH SEXES.

OCCUPATIONS IN PENAL AND REFORMATORY INSTITUTIONS.	NUMBERS.						PERCENTAGES.				
	The United States.	Geographical divisions.					Geographical divisions.				
		North Atlantic.	South Atlantic.	North Central.	South Central.	Western.	North Atlantic.	South Atlantic.	North Central.	South Central.	Western.
Total.....	97,175	35,646	12,702	25,305	16,443	7,079	36.08	13.07	26.04	16.92	7.79
Boots and shoes.....	6,172	2,252	877	2,779	209	55	36.49	14.21	45.02	3.39	0.69
Clothing.....	4,107	3,156	322	490	71	68	76.84	7.84	11.93	1.73	1.66
Furniture.....	617	425	100	82	1	68.88	17.67	13.29	0.16
Chairs.....	4,996	2,812	7	1,545	602	56.63	0.14	31.11	12.12
Wagons.....	214	1	115	98	0.47	53.74	45.79
Barrels.....	403	75	328	18.61	81.39
Brooms.....	488	302	57	90	30	61.88	11.68	20.29	6.15
Brushes.....	1,990	1,272	688	64.90	35.10
Agricultural implements.....	67	1	66	1.49	98.51
Carpenter work.....	35	8	1	21	3	2	22.86	2.86	60.00	8.57	5.71
Brick.....	712	19	200	228	51	205	2.67	29.86	32.02	7.10	28.79
Stone.....	2,733	1,012	336	795	75	515	37.03	12.29	29.09	2.75	18.84
Iron.....	94	88	6	93.62	6.38
Foundry work.....	1,292	117	155	778	91	151	9.05	12.00	60.22	7.04	11.68
Saddlery.....	887	227	130	520	8	2	25.59	14.66	58.62	0.90	0.23
Farming.....	5,292	695	974	476	3,112	35	13.13	18.41	8.99	58.81	0.66
Mining.....	2,742	725	888	1,630	26.43	14.15	59.42
Railroad building.....	3,472	19	1,068	103	1,407	275	0.55	48.04	2.97	40.52	7.92
Miscellaneous.....	16,303	6,253	2,065	3,913	2,722	1,410	38.21	12.62	23.92	16.63	8.02
Prison duties.....	20,482	9,425	1,339	5,782	1,721	1,721	46.02	8.98	28.23	8.37	8.40
Not stated.....	24,076	7,480	3,335	6,082	4,531	2,639	31.11	13.85	25.26	18.82	10.96

MALE.

Total.....	87,450	30,585	11,020	23,032	15,429	6,793	34.97	13.29	26.33	17.64	7.77
Boots and shoes.....	6,053	2,233	778	2,779	208	55	36.89	12.85	45.91	3.44	0.91
Clothing.....	3,530	2,693	322	432	65	48	75.44	9.12	12.24	1.84	1.36
Furniture.....	616	425	169	81	1	68.99	17.70	13.15	0.16
Chairs.....	4,874	2,809	7	1,493	565	57.63	0.15	50.03	11.59
Wagons.....	214	1	115	98	0.47	53.74	45.79
Barrels.....	403	75	328	18.61	81.39
Brooms.....	487	301	57	90	30	61.81	11.70	20.33	6.16
Brushes.....	1,921	1,214	607	66.67	33.33
Agricultural implements.....	67	1	66	1.40	98.51
Carpenter work.....	35	8	1	21	3	2	22.86	2.86	60.00	8.57	5.71
Brick.....	704	18	205	228	48	205	2.56	29.12	32.38	6.82	29.12
Stone.....	2,695	1,009	334	778	62	512	37.44	12.39	28.87	2.30	19.00
Iron.....	83	82	6	93.18	6.82
Foundry work.....	1,292	117	155	778	91	151	9.06	12.00	60.22	7.04	11.68
Saddlery.....	887	227	130	520	8	2	25.59	14.66	58.62	0.90	0.23
Farming.....	5,135	695	908	478	3,021	35	13.54	17.68	9.27	58.83	0.68
Mining.....	2,742	725	888	1,629	26.44	14.15	59.41
Railroad building.....	3,450	19	1,048	103	1,405	275	0.55	47.77	2.99	40.72	7.97
Miscellaneous.....	15,033	6,268	1,848	3,840	2,572	1,405	35.71	12.29	25.54	17.11	9.85
Prison duties.....	19,232	9,321	1,552	4,658	1,394	1,707	42.64	6.65	28.70	8.59	10.51
Not stated.....	21,101	6,401	2,948	5,214	4,143	2,895	30.34	13.97	24.71	19.63	11.95

FEMALE.

Total.....	9,716	5,061	1,032	2,273	1,014	286	52.09	11.14	23.39	10.44	2.94
Boots and shoes.....	119	19	99	1	15.97	83.19	0.84
Clothing.....	577	493	58	6	20	85.44	10.05	1.04	3.47
Furniture.....	1	1	100.00
Chairs.....	92	3	52	37	3.26	56.52	40.22
Brooms.....	1	1	100.00
Brushes.....	189	58	81	41.73	58.27
Brick.....	8	1	4	3	12.50	50.00	37.50
Stone.....	88	3	2	17	13	8	7.89	5.27	44.74	34.21	7.89
Iron.....	6	6	100.00
Farming.....	157	66	91	42.04	57.96
Mining.....	1	1	100.00
Railroad building.....	22	20	2	90.91	0.09
Miscellaneous.....	1,330	855	217	73	150	5	66.54	16.31	5.49	11.28	0.38
Prison duties.....	4,250	2,504	287	1,124	321	14	58.92	6.75	26.45	7.55	0.33
Not stated.....	2,975	1,088	337	868	888	244	36.57	13.01	29.18	13.04	8.20

An examination of the foregoing table illustrates the predominant tendency to indoor employment at the north and outdoor employment in the south.

Of prisoners and juvenile offenders engaged in making clothing, 76.84 per cent are in the North Atlantic division. The other occupations which exhibit large percentages for this division are: iron, 93.62; furniture, 68.88; brushes, 64.90; brooms, 61.88; chairs, 56.63.

Of prisoners and juvenile offenders engaged in making barrels, 81.39 per cent are in the North Central division. The other occupations which exhibit large percentages for this division are: agricultural implements, 98.51; foundry work, 60.22; saddlery and harness making, 58.62; wagon making, 53.74; boots and shoes, 45.02.

Of prisoners and juvenile offenders engaged in farming, 18.41 per cent are in the South Atlantic division and 58.81 per cent in the South Central division. The other occupations which exhibit large percentages for these divisions are: mining, 26.43 in the South Atlantic and 59.42 in the South Central; railroad building, 48.04 in the South Atlantic and 40.52 in the South Central.

In the Western division a relatively large per cent of the prisoners are engaged in making brick and working in stone.

II.—OCCUPATIONS IN INSTITUTIONS, BY GROUPS OF CRIMES.

BOTH SEXES.

OCCUPATIONS IN PENAL AND REFORMATORY INSTITUTIONS.	NUMBERS.						PERCENTAGES.				
	Total.	Groups of crimes.					Groups of crimes.				
		Against the government.	Against society.	Against the person.	Against property.	Miscellaneous.	Against the government.	Against society.	Against the person.	Against property.	Miscellaneous.
Total.....	97,175	1,857	25,795	17,589	42,222	a9,712	1.91	26.55	18.10	43.45	9.99
Boots and shoes.....	6,172	90	788	1,218	3,502	574	1.46	12.77	19.73	56.74	9.80
Clothing.....	4,107	87	810	522	2,268	a120	2.12	19.72	12.71	55.22	10.23
Furniture.....	617	2	38	128	427	22	0.32	6.16	20.74	69.21	3.57
Chairs.....	4,966	75	1,925	941	1,968	857	1.51	38.70	12.91	39.63	7.19
Wagons.....	214	9	101	99	5	4.20	47.20	46.26	2.34
Barrels.....	403	30	80	261	26	7.44	21.34	64.77	6.45
Brooms.....	483	14	42	134	247	51	2.87	8.61	27.46	50.61	10.45
Brushes.....	1,960	12	830	208	825	85	0.61	42.35	10.61	42.09	4.34
Agricultural implements.....	67	3	22	25	17	4.48	32.84	37.31	25.37
Carpenter work.....	35	1	4	9	16	5	2.86	11.43	25.71	45.71	14.29
Brick.....	712	3	152	157	367	33	0.42	21.85	22.05	51.55	4.03
Stone.....	2,733	35	591	507	1,473	127	1.28	21.62	18.55	53.90	4.65
Iron.....	94	1	20	16	53	4	1.06	21.28	17.02	56.38	4.20
Foundry work.....	1,292	24	28	323	803	114	1.86	2.17	25.00	62.15	8.82
Saddlery.....	887	15	28	208	504	a132	1.69	3.16	23.45	56.82	14.88
Farming.....	5,292	13	1,041	1,177	2,572	489	0.25	19.67	22.24	48.60	9.24
Mining.....	2,743	7	146	726	1,674	100	0.26	5.32	26.47	61.03	6.92
Railroad building.....	3,472	7	422	580	2,118	335	0.20	12.16	16.99	61.00	9.65
Miscellaneous.....	16,363	474	2,998	3,030	7,734	a2,127	2.90	18.32	18.52	47.26	13.00
Prison duties.....	20,482	460	8,122	3,167	3,167	1,412	2.25	39.66	15.46	35.74	6.89
Not stated.....	24,076	534	7,771	4,610	7,965	a3,187	2.22	32.28	19.18	33.08	13.24

MALE.

Total.....	87,459	1,841	20,255	16,802	40,551	a8,010	2.10	23.16	19.21	46.37	9.16
Boots and shoes.....	6,053	90	771	1,182	3,437	573	1.49	12.74	19.53	56.78	9.40
Clothing.....	3,530	87	616	466	2,112	a240	2.47	17.45	13.20	59.83	7.05
Furniture.....	616	2	38	128	426	22	0.32	6.17	20.78	69.10	3.57
Chairs.....	4,874	75	1,889	923	1,930	357	1.54	38.70	12.78	39.60	7.32
Wagons.....	214	9	101	99	5	4.20	47.20	46.26	2.34
Barrels.....	403	30	86	261	26	7.44	21.34	64.77	6.45
Brooms.....	487	14	42	134	247	50	2.87	8.62	27.52	50.72	10.27
Brushes.....	1,821	12	705	204	815	85	0.66	38.71	11.20	44.76	4.67
Agricultural implements.....	67	3	22	25	17	4.48	32.84	37.31	25.37
Carpenter work.....	35	1	4	9	16	5	2.86	11.43	25.71	45.71	14.29
Brick.....	704	3	144	157	367	33	0.43	20.45	22.30	52.13	4.00
Stone.....	2,695	35	562	505	1,489	124	1.30	20.85	18.74	54.51	4.60
Iron.....	88	1	18	13	52	4	1.14	20.45	14.77	59.09	4.55
Foundry work.....	1,292	24	28	323	803	114	1.86	2.17	25.00	62.15	8.82
Saddlery.....	887	15	28	208	504	a132	1.69	3.16	23.45	56.82	14.88
Farming.....	5,135	13	1,011	1,135	2,500	476	0.25	19.69	22.10	48.69	9.27
Mining.....	2,742	7	145	726	1,674	100	0.25	5.29	26.48	61.05	6.93
Railroad building.....	3,450	7	420	588	2,111	324	0.20	12.18	17.04	61.10	9.39
Miscellaneous.....	15,933	470	2,382	2,990	7,568	a1,623	3.13	15.84	19.89	50.34	10.80
Prison duties.....	16,232	456	5,205	2,866	6,676	1,029	2.81	32.06	17.06	41.13	6.34
Not stated.....	21,101	523	6,203	4,336	7,459	a2,572	2.49	29.42	20.55	35.35	12.19

FEMALE.

Total.....	9,716	16	5,540	787	1,671	1,702	0.16	57.02	8.10	17.20	17.52
Boots and shoes.....	119	17	36	65	1	14.29	30.95	54.62	0.84
Clothing.....	577	194	50	156	171	33.62	9.70	27.04	29.64
Furniture.....	1	1	100.00
Chairs.....	92	36	18	38	39.13	19.57	41.30
Brooms.....	1	1	100.00
Brushes.....	139	125	4	10	89.83	2.83	7.19
Brick.....	8	8	100.00
Stone.....	38	29	2	4	3	76.32	5.26	10.53	7.89
Iron.....	6	2	3	1	33.33	50.00	18.67
Farming.....	157	30	42	72	13	19.11	26.75	45.86	8.28
Mining.....	1	1	100.00
Railroad building.....	22	2	2	7	11	9.09	9.09	31.82	50.00
Miscellaneous.....	1,330	616	40	166	504	0.30	46.32	3.01	12.48	37.89
Prison duties.....	4,250	4	2,917	301	645	383	0.09	68.64	7.08	15.18	9.01
Not stated.....	2,975	8	1,563	283	506	815	0.27	52.54	9.51	17.01	20.07

a Includes crimes on the high seas.

The percentages by groups of crimes are given, to complete the account of the subject under consideration, but it does not appear that much can be learned from them. The large percentage of those employed in chair and brush making who are charged with offenses against society is due to the fact that these are occupations which require little skill, and are therefore suitable for introduction into minor prisons, where the terms of sentence are comparatively short, as are most of the sentences for offenses against society.

HABITS WITH RESPECT TO THE USE OF ARDENT SPIRITS.

The question as to habits with respect to the use of ardent spirits applies only to prisoners and inmates of juvenile reformatories, numbering, in the aggregate, 97,175, with regard to whom this question is not answered in 19,271 cases (16,129 male and 3,142 female).

Of the remaining 77,904 (71,330 male and 6,574 female), the number reported as total abstainers is 20,973 (18,399 male and 2,574 female); moderate or occasional drinkers, 40,585 (38,552 male and 2,033 female); drunkards, 16,346 (14,379 male and 1,967 female).

According to the figures, the number of total abstainers exceeds the number of drunkards by 4,627.

The statements made as to the habits of inmates of prisons and reformatories have been revised for the greater part by the officers of the prisons. At the same time there can be no question that among those reported as moderate or occasional drinkers are some who would properly be classed with the drunkards. It would be manifestly unfair to attribute the crime of 20,973 total abstainers to total abstinence; it is equally erroneous to attribute the crime of 16,346 drunkards to ardent spirits. The cause in both cases lies deeper, and is found in the character of the individual in its relation to the circumstances of his life.

I.—BY GEOGRAPHICAL DIVISIONS.

BOTH SEXES.

GEOGRAPHICAL DIVISIONS.	NUMBERS.					PERCENTAGES. (a)		
	Total.	Total ab-stainers.	Moderate or oc-casional drinkers.	Drunk-ards.	Not stated.	Total ab-stainers.	Moderate or oc-casional drinkers.	Drunk-ards.
The United States.....	97,175	20,973	40,585	16,346	19,271	26.92	52.10	20.98
North Atlantic.....	35,646	6,839	14,843	5,521	7,443	24.25	52.63	23.12
South Atlantic.....	12,702	2,345	6,350	1,263	2,744	23.55	63.77	12.68
North Central.....	25,305	7,303	9,063	4,750	4,189	34.59	42.62	22.49
South Central.....	16,443	3,229	6,709	2,704	3,051	25.24	52.92	21.84
Western.....	7,079	1,257	3,560	1,018	1,244	21.54	61.01	17.45
MALE.								
The United States.....	87,450	18,399	38,552	14,379	16,120	25.70	54.05	20.16
North Atlantic.....	30,585	5,766	13,793	5,141	5,885	23.35	55.81	20.81
South Atlantic.....	11,620	2,071	5,960	1,133	2,456	22.60	65.04	12.36
North Central.....	23,032	6,397	8,808	4,459	3,368	32.53	44.79	22.68
South Central.....	15,429	2,954	6,521	2,653	3,001	24.36	53.77	21.87
Western.....	6,793	1,211	3,470	993	1,119	21.34	61.18	17.50
FEMALE.								
The United States.....	9,716	2,574	2,033	1,967	3,142	39.15	30.93	20.92
North Atlantic.....	5,061	1,073	1,050	1,380	1,558	30.68	29.97	39.40
South Atlantic.....	1,682	274	390	130	288	34.51	49.12	16.37
North Central.....	2,278	906	255	291	821	62.40	17.56	20.04
South Central.....	1,014	275	248	141	350	41.42	37.35	21.23
Western.....	286	46	90	25	125	28.57	55.90	15.53

a The percentages are calculated on the total basis of 77,904 reported, omitting 19,271 not stated.

The largest percentages of moderate or occasional drinkers are in the South Atlantic and Western divisions; of total abstainers, in the North and South Central; and of drunkards, in the North Atlantic and North Central.

The percentage of total abstainers is larger among women than among men; so also is the percentage of drunkards; while the percentage of moderate or occasional drinkers is nearly twice as great among men as among women.

CRIME, PAUPERISM, AND BENEVOLENCE.

II.—HABITS, BY ELEMENTS OF THE POPULATION.

BOTH SEXES.

COLOR, NATIVITY, AND RACE.	NUMBERS.					PERCENTAGES. (a)		
	Total.	Total ab- stainers.	Moderate or occa- sional drinkers.	Drunk- ards.	Not stated.	Total ab- stainers.	Moderate or occa- sional drinkers.	Drunk- ards.
Total	97,175	20,973	40,585	10,346	19,271	26.92	52.10	20.98
White	70,213	15,519	28,534	13,162	12,998	27.12	49.87	23.01
Native born.....	51,549	12,712	20,545	8,860	9,426	30.18	48.77	21.05
Parents native.....	24,282	5,901	10,838	4,202	3,341	28.18	51.75	20.07
One parent foreign.....	3,844	956	1,520	614	754	30.94	49.10	10.87
Parents foreign.....	16,566	2,985	6,606	3,892	3,583	22.99	50.88	26.13
One or both parents unknown..	6,857	2,870	1,581	658	1,748	50.17	30.95	12.88
Foreign born.....	17,337	2,408	7,901	4,167	2,861	16.63	54.58	28.79
Nativity unknown.....	1,327	399	88	129	711	64.77	14.29	20.94
Colored	26,062	5,454	12,051	3,184	6,273	26.36	58.25	15.39
Negroes.....	26,207	5,326	11,816	3,104	5,961	26.31	58.36	15.33
Chinese.....	408	62	75	21	250	39.24	47.47	13.29
Japanese.....	13	2	9		2	18.18	81.82	
Indians.....	334	64	151	59	60	23.36	55.11	21.53
MALE.								
Total	87,459	18,309	38,552	14,370	16,129	25.79	54.05	20.16
White	62,892	13,614	27,180	11,482	10,616	26.04	51.99	21.97
Native born.....	46,791	11,246	19,803	8,161	7,581	28.68	50.51	20.81
Parents native.....	22,009	5,336	10,546	3,984	2,743	20.86	53.09	20.05
One parent foreign.....	3,450	845	1,465	570	570	29.34	50.87	19.79
Parents foreign.....	14,958	2,733	6,323	3,029	2,873	22.62	52.32	25.06
One or both parents unknown..	5,774	2,332	1,409	578	1,395	53.25	33.55	13.20
Foreign born.....	14,998	2,120	7,293	3,195	2,390	16.82	57.84	25.34
Nativity unknown.....	1,103	248	84	126	645	54.15	18.84	27.51
Colored	24,567	4,785	11,372	2,897	5,513	25.11	59.68	15.21
Negroes.....	23,830	4,660	11,138	2,824	5,208	25.02	59.81	15.17
Chinese.....	407	62	75	21	249	39.24	47.47	13.29
Japanese.....	12	1	9		2	10.00	90.00	
Indians.....	513	62	150	52	54	23.48	56.82	19.70
FEMALE.								
Total	9,716	2,574	2,033	1,967	3,142	39.15	30.93	29.02
White	7,321	1,995	1,354	1,680	2,382	38.57	27.41	34.02
Native born.....	4,758	1,466	742	705	1,845	50.33	25.47	24.20
Parents native.....	1,673	565	292	218	598	52.56	27.16	20.28
One parent foreign.....	394	111	55	44	184	52.86	26.19	20.95
Parents foreign.....	1,668	252	283	363	710	23.06	31.52	40.42
One or both parents unknown..	1,083	538	112	80	353	73.70	15.34	10.96
Foreign born.....	2,339	288	608	972	471	15.42	32.55	52.03
Nativity unknown.....	224	151	4	3	66	95.57	2.53	1.60
Colored	2,395	669	679	287	760	40.92	41.53	17.55
Negroes.....	2,377	660	678	280	753	41.01	41.75	17.24
Chinese.....	1				1			
Japanese.....	1	1				100.00		
Indians.....	16	2	1	7	6	20.00	10.00	70.00

a The percentages are calculated on the total basis of 77,904 reported, omitting 19,271 not stated.

The percentage of drunkards among whites is very much larger than among the colored inmates, and of the moderate or occasional drinkers very much larger among the colored than among the whites. The percentages of total abstainers are very nearly the same. This is true for both sexes combined and for males. The largest percentage of total abstainers (omitting those whose nativity or parentage is unknown) is found among the Chinese. The smallest percentage of total abstainers is among the foreign white, and the next among the native white with both parents foreign. The percentage of drunkards among the foreign born is, however, very slightly in excess of that given for the native white population of native parentage.

III.—HABITS, BY GROUPS OF CRIMES.

BOTH SEXES.

OFFENSES.	NUMBERS.					PERCENTAGES. (a)		
	Total.	Total ab- stainers.	Moderate or occa- sional drinkers.	Drunk- ards.	Not stated.	Total ab- stainers.	Moderate or occa- sional drinkers.	Drunk- ards.
All offenses	97,175	20,973	40,585	16,346	19,271	26.02	52.10	20.98
Against the government.....	1,857	283	1,057	96	421	19.71	73.01	6.68
Against society.....	25,795	5,829	7,733	6,100	6,133	29.65	39.33	31.02
Against the person.....	17,580	2,989	9,051	2,073	2,576	19.91	60.29	19.80
Against property.....	42,222	10,201	20,332	6,287	5,342	27.32	55.13	17.05
On the high seas.....	4	1	2	1	33.33	66.67
Miscellaneous.....	9,708	1,610	2,410	890	4,798	32.79	49.08	18.13
MALE.								
All offenses	87,459	18,309	38,552	14,379	16,120	25.79	54.05	20.16
Against the government.....	1,841	276	1,051	95	419	19.41	73.02	6.68
Against society.....	20,255	4,517	6,488	4,419	4,331	29.29	42.00	28.65
Against the person.....	16,802	2,736	8,803	2,885	2,378	18.97	61.03	20.00
Against property.....	40,551	9,579	19,809	6,152	4,051	26.91	55.81	17.28
On the high seas.....	4	1	2	1	33.33	66.67
Miscellaneous.....	8,006	1,290	2,369	828	3,549	28.94	52.48	18.58
FEMALE.								
All offenses	9,716	2,574	2,033	1,967	3,142	39.15	30.93	29.92
Against the government.....	19	7	0	1	2	50.00	42.86	7.14
Against society.....	5,540	1,312	1,245	1,681	1,302	30.96	29.38	30.66
Against the person.....	787	253	248	88	198	42.95	42.11	14.94
Against property.....	1,671	682	463	135	391	53.28	36.17	10.55
Miscellaneous.....	1,702	320	71	62	1,249	70.64	15.67	13.69

a The percentages are calculated on the total basis of 77,904 reported, omitting 19,271 not stated.

Omitting those charged with offenses on the high seas and miscellaneous offenses, the percentage of drunkards is very much the largest among those charged with offenses against society, which was to be expected, since this group includes drunkenness and disorder. The percentage of drunkards is somewhat greater among those charged with crimes against the person than among those charged with crimes against property. The percentage of total abstainers is also largest among those charged with offenses against society, and smaller among those charged with crimes against the person than among those charged with crimes against society or property. This is due probably to the large proportion of juvenile offenders charged with offenses against society. (a)

a In Table 97 occur 49 charges of public intoxication and 1 of habitual drunkenness against those reported as total abstainers. It is to be remembered that 9,737 prisoners are held for trial and that part of those under charges will be able to show falsity or error in the charges against them.

CRIME, PAUPERISM, AND BENEVOLENCE.

LEGAL RESIDENCE.

The question as to the legal residence of inmates of penal and charitable institutions is not answered in 61,184 cases (35,790 male and 25,394 female).

Of the remaining 220,946 (147,655 male and 73,291 female), the number who are returned as residents of the state is 207,936 (135,569 male and 72,367 female); those who reside elsewhere, 13,010 (12,036 male and 924 female).

Of the 13,010 who reside out of the state in which they were found, 11,176 are prisoners.

I.—BY GEOGRAPHICAL DIVISIONS.

BOTH SEXES.

GEOGRAPHICAL DIVISIONS.	NUMBERS.				PERCENTAGES. (a)	
	Total.	Reside in the state.	Reside elsewhere.	Not stated.	Reside in the state.	Reside elsewhere.
The United States.....	232,130	207,936	13,010	61,184	94.11	5.89
North Atlantic.....	129,184	97,078	3,302	28,744	96.05	3.25
South Atlantic.....	28,551	22,416	1,307	4,828	94.49	5.51
North Central.....	79,169	55,498	4,910	18,851	91.86	8.14
South Central.....	28,641	21,571	1,874	5,190	92.01	7.99
Western.....	16,535	11,463	1,557	3,565	88.04	11.96
MALE.						
The United States.....	133,445	135,599	12,036	35,790	91.81	8.19
North Atlantic.....	78,854	60,021	2,971	15,862	95.28	4.72
South Atlantic.....	18,484	14,057	1,157	2,370	92.82	7.18
North Central.....	52,239	39,207	4,624	11,408	88.68	11.32
South Central.....	20,958	15,368	1,823	3,267	89.69	10.31
Western.....	12,912	8,513	1,511	2,888	84.98	15.07
FEMALE.						
The United States.....	98,685	72,367	924	25,304	98.74	1.26
North Atlantic.....	50,330	37,057	391	12,882	98.90	1.04
South Atlantic.....	10,067	7,459	150	2,458	98.63	1.97
North Central.....	26,939	19,201	286	7,443	93.53	6.47
South Central.....	7,085	5,705	51	1,929	99.11	0.89
Western.....	3,673	2,945	46	682	98.46	1.54

a The percentages are calculated on the total basis of 220,946 reported, omitting 61,184 not stated.

The percentage of nonresidents is largest in the Western division and smallest in the North Atlantic. The figures in the table illustrate the greater comparative facility of movement in the west than in the east. The percentage of nonresidents is uniformly larger among men than among women.

INMATES OF ALL INSTITUTIONS.

83

II.—RESIDENCE, BY ELEMENTS OF THE POPULATION.

BOTH SEXES.

COLOR, NATIVITY, AND RACE.	NUMBERS.				PERCENTAGES. (a)	
	Total.	Reside in the state.	Reside elsewhere.	Not stated.	Reside in the state.	Reside elsewhere.
Total	282,130	207,936	13,010	61,184	94.11	5.89
White	243,627	177,809	10,193	55,565	94.58	5.42
Native born	104,475	126,719	7,513	30,243	94.40	5.60
Parents native	69,285	50,897	4,080	14,299	92.56	7.44
One parent foreign	9,849	8,093	639	1,117	92.08	7.92
Parents foreign	44,313	36,761	2,059	5,493	94.70	5.30
One or both parents unknown	41,028	30,068	726	9,334	97.71	2.29
Foreign born	71,307	45,973	2,634	22,700	94.58	5.42
Nativity unknown	7,845	5,177	46	2,622	99.12	0.88
Colored	38,503	30,067	2,817	5,610	91.43	8.57
Negroes	36,727	28,754	2,515	5,458	91.06	8.04
Chinese	462	363	38	61	90.52	9.48
Japanese	21	16	-----	5	100.00	-----
Indians	1,293	934	204	95	77.96	22.04
MALE.						
Total	183,445	135,509	12,086	35,790	91.81	8.19
White	152,836	111,117	9,432	32,287	92.18	7.82
Native born	103,480	80,100	6,077	16,394	91.99	8.01
Parents native	45,215	33,834	3,818	7,563	89.86	10.14
One parent foreign	6,478	5,273	594	611	89.88	10.12
Parents foreign	28,417	23,431	1,941	3,045	92.35	7.65
One or both parents unknown	23,370	17,571	624	5,175	96.57	3.43
Foreign born	45,012	28,301	2,422	14,190	92.14	7.86
Nativity unknown	4,344	2,617	33	1,694	98.75	1.25
Colored	30,609	24,452	2,654	3,503	90.21	9.79
Negroes	29,291	23,506	2,391	3,394	90.77	9.23
Chinese	452	354	38	60	90.31	9.69
Japanese	20	15	-----	5	100.00	-----
Indians	840	577	225	44	71.95	28.05
FEMALE.						
Total	98,685	72,867	924	25,394	93.74	1.26
White	90,791	66,752	761	23,278	93.87	1.13
Native born	60,995	46,610	536	13,849	93.80	1.14
Parents native	24,070	17,063	271	6,736	93.44	1.56
One parent foreign	3,371	2,820	45	506	93.43	1.57
Parents foreign	15,896	13,330	118	2,448	99.12	0.88
One or both parents unknown	17,658	13,397	102	4,159	99.24	0.76
Foreign born	26,295	17,582	212	8,501	93.81	1.19
Nativity unknown	3,501	2,560	13	928	99.45	0.51
Colored	7,894	5,615	163	2,116	97.18	2.82
Negroes	7,436	5,243	124	2,064	97.60	2.31
Chinese	10	9	-----	1	100.00	-----
Japanese	1	1	-----	-----	100.00	-----
Indians	447	357	39	51	90.15	9.85

a The percentages are calculated on the total basis of 220,946 reported, omitting 61,184 not stated.

CRIME, PAUPERISM, AND BENEVOLENCE.

The percentage of nonresidents is one and one-half times as large among the colored as among the whites. It is largest among the Indians. The percentages for the native of native parents and native population with one parent foreign are larger than for the foreign born and their children.

III.—RESIDENCE, BY GROUPS OF CRIMES.

BOTH SEXES.

OFFENSES.	NUMBERS.				PERCENTAGES. (a)	
	Total.	Reside in the state.	Reside elsewhere.	Not stated.	Reside in the state.	Reside elsewhere.
All offenses.....	97,175	79,535	11,561	6,109	87.30	12.70
Against the government.....	1,857	1,323	456	78	74.37	25.63
Against society.....	25,795	21,822	1,952	2,021	91.79	8.21
Against the person.....	17,589	15,175	1,813	601	89.33	10.67
Against property.....	42,222	34,152	6,433	1,637	84.15	15.85
On the high seas.....	4	1	3	25.00	75.00
Miscellaneous.....	9,708	7,032	904	1,772	88.61	11.39
MALE.						
All offenses.....	87,450	70,990	11,208	5,192	86.30	13.70
Against the government.....	1,811	1,310	454	77	74.26	25.74
Against society.....	20,255	16,982	1,820	1,453	90.32	9.68
Against the person.....	16,802	14,453	1,773	576	89.07	10.93
Against property.....	40,551	32,023	6,333	1,595	83.74	16.26
On the high seas.....	4	1	3	25.00	75.00
Miscellaneous.....	8,098	5,030	885	1,401	86.42	13.58
FEMALE.						
All offenses.....	9,716	8,506	203	917	96.67	3.33
Against the government.....	10	13	2	1	86.67	13.33
Against society.....	5,540	4,840	132	568	97.35	2.65
Against the person.....	787	722	40	25	94.75	5.25
Against property.....	3,071	1,520	100	42	93.86	6.14
Miscellaneous.....	1,702	1,402	19	281	98.60	1.40

a The percentages are calculated on the total basis of 91,069 reported, omitting 6,109 not stated.

The foregoing table refers only to the inmates of prisons and of juvenile reformatories. The large number of nonresidents charged with crimes against the government is susceptible of explanation. It is partly due to the practice of the Federal government in sending Federal prisoners to selected state prisons, often remote from the courts in which convicts were tried. Leaving Federal prisoners out of the question, the tendency to migratory habits is most marked among offenders charged with crimes against property, which agrees with what is known of the character of thieves. Crimes against society are much more largely committed by residents of the community in which they are tried and convicted.

HEALTH.

Where the question as to health was not answered upon the census schedules, it has been taken for granted that the inmates of institutions were in good health or the contrary would have been stated. The number counted as in good health, upon this basis, is 194,669 (130,924 male and 63,745 female); in various other conditions of health, 87,461 (52,521 male and 34,940 female). The 87,461 are subdivided as follows: ill, 39,278 (25,101 male and 14,177 female); insane, 18,324 (8,971 male and 9,353 female); blind, 4,487 (2,642 male and 1,845 female); deaf-mutes, 1,486 (850 male and 636 female); idiots, 8,853 (4,358 male and 4,495 female); crippled, 15,033 (10,599 male and 4,434 female).

I.—BY GEOGRAPHICAL DIVISIONS.

BOTH SEXES.

GEOGRAPHICAL DIVISIONS.	NUMBERS.								PERCENTAGES.						
	Total.	In good health. (a)	Ill.	Insane.	Blind.	Deaf-mutes.	Idiots.	Crip-pled.	In good health. (a)	Ill.	Insane.	Blind.	Deaf-mutes.	Idiots.	Crip-pled.
The United States.....	282,130	194,669	39,278	18,324	4,487	1,486	8,853	15,033	69.00	13.92	6.49	1.59	0.53	3.14	5.33
North Atlantic.....	129,184	91,098	18,376	8,197	1,098	627	2,063	6,227	70.52	14.22	6.35	1.31	0.49	2.29	4.82
South Atlantic.....	28,551	20,581	8,599	989	579	163	1,151	1,432	72.08	12.01	3.46	2.03	0.56	4.69	5.23
North Central.....	79,169	49,976	10,783	8,171	1,380	503	3,734	4,622	63.13	13.62	10.32	1.74	0.63	4.72	5.84
South Central.....	28,641	20,929	3,660	893	608	198	873	1,000	73.07	12.78	2.91	2.12	0.48	3.05	5.59
Western.....	16,585	12,085	2,560	134	224	58	132	1,092	72.87	17.24	0.81	1.36	0.35	0.79	6.58

MALE.

The United States.....	183,445	130,924	25,101	8,971	2,642	850	4,358	10,599	71.37	13.68	4.89	1.44	0.46	2.38	5.78
North Atlantic.....	78,854	57,305	13,823	8,799	925	355	1,527	4,000	72.67	13.80	4.82	1.17	0.45	1.94	5.15
South Atlantic.....	18,484	14,213	1,901	440	281	83	520	968	76.89	10.01	2.43	1.52	0.45	2.86	5.24
North Central.....	52,239	34,353	7,200	4,225	919	295	1,846	3,401	65.76	13.78	8.00	1.76	0.57	3.53	6.51
South Central.....	20,950	15,964	2,618	888	333	71	584	1,193	76.18	12.49	1.85	1.59	0.34	1.83	5.72
Western.....	12,912	9,089	2,439	110	184	46	72	972	70.39	18.89	0.85	1.42	0.36	0.56	7.53

FEMALE.

The United States.....	98,685	63,745	14,177	9,353	1,845	636	4,495	4,434	64.59	14.37	0.49	1.87	0.64	4.55	4.49
North Atlantic.....	50,330	33,793	7,403	4,398	771	272	1,436	2,197	67.14	14.89	8.74	1.53	0.54	2.85	4.31
South Atlantic.....	10,067	6,368	1,638	540	298	77	622	524	63.26	16.27	5.37	2.96	0.70	6.18	5.20
North Central.....	26,930	15,623	3,533	3,946	461	208	1,888	1,221	58.01	13.31	14.65	1.71	0.77	7.01	4.54
South Central.....	7,685	4,965	1,042	445	275	67	489	402	64.01	13.56	5.79	3.58	0.87	6.36	5.23
Western.....	3,678	2,966	421	24	40	12	60	120	81.57	11.40	0.65	1.09	0.33	1.63	3.27

a Including those not stated.

There appears to be no material difference in the health of inmates of institutions except in the North Central division, where the percentage in good health is smaller than elsewhere for both sexes and for each sex separately. The largest percentage of sickness is found in the Western division; of insanity, in the North Central; of blindness, in the South Central; of deaf-mutism and of idiocy, in the North Central; of cripples, in the Western.

CRIME, PAUPERISM, AND BENEVOLENCE.

II.—HEALTH, BY ELEMENTS OF THE POPULATION.

BOTH SEXES.

COLOR, NATIVITY, AND RACE.	NUMBERS.								PERCENTAGES.						
	Total.	In good health. (a)	Ill.	Insane.	Blind.	Deaf-mutes.	Idiots.	Crippled.	In good health. (a)	Ill.	Insane.	Blind.	Deaf-mutes.	Idiots.	Crippled.
Total	282,130	194,669	89,278	18,324	4,487	1,486	8,853	15,033	69.00	13.02	6.49	1.59	0.53	3.14	5.33
White	243,027	161,560	75,466	17,167	3,834	1,348	8,004	13,228	67.55	14.56	7.05	1.57	0.55	3.23	5.43
Native born.....	164,475	122,284	57,550	8,324	1,983	787	6,222	7,255	74.41	10.06	5.07	1.10	0.48	3.73	4.41
Parents native.....	60,285	46,782	9,009	3,653	1,188	446	3,477	4,070	67.62	13.06	5.27	1.72	0.64	5.02	5.87
One parent foreign.....	9,849	8,247	945	176	92	21	96	332	83.73	9.69	1.18	0.93	0.21	0.93	3.37
Parents foreign.....	44,313	37,243	3,765	1,119	235	95	532	1,384	84.05	8.86	2.53	0.53	0.21	1.20	3.12
One or both parents unknown.	41,028	30,112	3,211	3,446	448	225	2,117	1,469	73.39	7.83	8.40	1.09	0.55	5.10	3.58
Foreign born.....	71,207	37,095	17,263	7,061	1,777	473	1,381	5,717	52.02	24.13	10.74	2.40	0.66	1.94	8.02
Nativity unknown.....	7,845	5,101	733	1,172	94	88	401	256	65.02	9.25	14.94	1.20	1.12	5.11	3.26
Colored	38,563	30,089	3,812	1,157	653	138	849	1,805	78.15	9.90	3.09	1.70	0.36	2.20	4.69
Negroes	36,727	28,430	3,749	1,126	643	136	843	1,781	77.43	10.21	3.09	1.75	0.37	2.30	4.85
Chinese.....	462	421	19	14	1	1	2	4	91.12	4.11	3.03	0.22	0.22	0.43	0.87
Japanese.....	21	14	7	7	7	7	7	7	66.67	33.33
Indians.....	1,293	1,215	37	7	9	1	4	20	93.97	2.86	0.54	0.60	0.08	0.31	1.55

MALE.

Total	183,445	130,924	25,101	8,971	2,642	850	4,358	10,599	71.37	13.08	4.59	1.44	0.46	2.38	5.78
White	152,836	105,805	22,330	8,433	2,274	774	3,930	9,260	69.23	14.03	5.12	1.40	0.50	2.57	6.00
Native born.....	104,480	78,878	10,830	4,298	1,096	436	3,019	4,923	76.22	10.47	4.15	1.00	0.42	2.02	4.70
Parents native.....	45,215	32,077	5,994	1,788	637	239	1,639	2,703	70.94	13.20	2.95	1.41	0.53	3.73	6.18
One parent foreign.....	6,478	5,442	615	66	59	13	44	239	84.01	9.49	1.02	0.91	0.20	0.68	3.69
Parents foreign.....	23,417	23,930	2,400	660	137	56	277	948	84.24	8.45	2.32	0.48	0.20	0.97	3.34
One or both parents unknown.	23,370	17,420	1,821	1,786	263	128	1,060	943	74.54	7.79	7.64	1.13	0.55	4.32	4.03
Foreign born.....	45,012	23,911	11,129	3,596	1,137	306	733	4,195	53.12	24.72	7.99	2.53	0.68	1.64	9.32
Nativity unknown.....	4,344	3,016	401	539	41	32	173	142	69.43	9.23	13.41	0.94	0.74	3.98	3.27
Colored	30,609	25,119	2,741	538	368	76	428	1,339	82.06	8.86	1.70	1.20	0.25	1.40	4.37
Negroes	29,291	23,904	2,634	523	362	74	424	1,320	81.61	9.16	1.78	1.24	0.25	1.45	4.51
Chinese.....	452	412	18	14	1	1	2	4	91.15	3.98	3.10	0.22	0.22	0.44	0.89
Japanese.....	20	13	7	7	7	7	7	7	65.00	35.00
Indians.....	816	790	32	1	5	1	2	15	93.38	3.78	0.12	0.50	0.12	0.24	1.77

FEMALE.

Total	98,635	63,745	14,177	9,353	1,845	636	4,495	4,431	64.59	14.97	9.48	1.87	0.64	4.56	4.40
White	90,791	58,775	13,106	8,734	1,560	574	4,074	3,968	64.74	14.43	9.62	1.72	0.63	4.49	4.37
Native born.....	60,995	42,506	6,700	4,036	867	351	3,203	2,392	71.33	10.08	6.62	1.42	0.58	5.25	3.82
Parents native.....	24,070	14,705	3,675	1,367	551	207	1,788	1,277	61.09	15.27	7.76	2.29	0.86	7.43	5.30
One parent foreign.....	3,371	2,865	360	50	33	8	52	93	83.21	9.79	1.48	0.98	0.24	1.54	2.79
Parents foreign.....	15,896	13,304	1,305	459	98	39	255	436	83.69	8.21	2.89	0.62	0.25	1.60	2.74
One or both parents unknown.	17,658	12,662	1,390	1,660	185	97	1,108	626	71.88	7.87	9.40	1.05	0.55	6.27	2.93
Foreign born.....	26,295	13,184	6,074	4,065	640	167	643	1,522	50.14	23.10	15.46	2.43	0.63	2.45	5.79
Nativity unknown.....	3,501	2,085	332	633	53	56	228	114	59.56	9.48	18.03	1.51	1.00	6.51	3.26
Colored	7,834	4,970	1,071	619	285	62	421	463	62.93	13.57	7.84	3.61	0.79	5.33	5.80
Negroes	7,436	4,535	1,065	613	281	62	419	461	60.99	14.32	8.24	3.78	0.83	5.04	6.20
Chinese.....	10	9	1	1	1	1	1	1	90.00	10.00
Japanese.....	1	1	1	1	1	1	1	1	100.00
Indians.....	447	425	5	6	4	4	2	5	95.08	1.12	1.34	0.89	0.45	1.12

aIncluding those not stated.

In penal and reformatory institutions the health of the colored population is better than that of the whites, and that of the Chinese and Indians is best of all. There is more sickness among the foreign whites and the native whites of native parentage than among those of any other group. The largest percentage of insanity is found among those of unknown nativity, which may be because the insane are unable to answer the question as to this point. Of those whose nativity and parentage are known, much the largest percentage is among the foreign whites. The foreign whites also exhibit the strongest tendency to blindness and to deaf-mutism, while idiocy is more common among the native population. The largest percentage of cripples is also among the foreign born. The figures generally indicate better health among the young than among the more advanced in life.

As to sex, the health of male inmates of institutions appears to be better than that of female inmates. The forms of illness and infirmity prevail to a larger extent among the female inmates, with the exception of wounds and maiming, which occur more frequently in the case of men. The percentage of insane women in institutions is nearly double that of insane men.

III.—HEALTH, BY GROUPS OF CRIMES.

BOTH SEXES.

OFFENSES.	NUMBERS.								PERCENTAGES.						
	Total.	In good health. (a)	Ill.	Insane.	Blind.	Deaf-mutes.	Idiots.	Crippled.	In good health. (a)	Ill.	Insane.	Blind.	Deaf-mutes.	Idiots.	Crippled.
All offenses.....	97,175	87,778	5,310	1,404	291	133	318	1,972	90.33	5.47	1.51	0.30	0.14	0.22	2.03
Against the government.....	1,857	1,719	61	5	3	3	33	91.18	3.45	0.27	0.16	0.16	1.78
Against society.....	25,795	23,014	1,128	105	85	42	92	429	92.71	4.37	0.41	0.33	0.16	0.36	1.60
Against the person.....	17,569	15,176	1,248	510	62	26	43	524	86.28	7.10	2.90	0.35	0.15	0.21	2.68
Against property.....	42,222	38,297	2,485	408	114	40	41	851	90.70	5.88	0.97	0.27	0.11	0.10	1.97
On the high seas.....	4	3	1	75.00	25.00
Miscellaneous.....	9,708	8,639	393	436	27	16	42	155	88.90	4.05	4.40	0.28	0.16	0.43	1.63

MALE.

All offenses.....	87,450	78,717	4,946	1,290	276	125	180	1,016	90.00	5.00	1.47	0.32	0.14	0.22	2.19
Against the government.....	1,841	1,734	63	5	3	3	33	94.19	3.42	0.27	0.16	0.16	1.80
Against society.....	23,255	18,689	891	88	75	41	76	305	92.27	4.40	0.43	0.37	0.20	0.37	1.96
Against the person.....	16,802	14,490	1,204	463	61	26	43	518	86.24	7.17	2.76	0.36	0.15	0.24	3.08
Against property.....	40,551	39,724	2,417	390	114	44	38	824	90.56	5.96	0.96	0.28	0.11	0.10	2.03
On the high seas.....	4	3	1	75.00	25.00
Miscellaneous.....	8,006	7,077	370	344	23	11	35	140	88.30	4.62	4.30	0.29	0.14	0.44	1.82

FEMALE.

All offenses.....	9,710	9,061	373	174	15	8	29	50	93.20	3.84	1.79	0.15	0.08	0.30	0.68
Against the government.....	10	15	1	93.75	6.25
Against society.....	5,540	5,225	237	17	10	1	16	34	94.31	4.28	0.31	0.18	0.02	0.20	0.61
Against the person.....	787	680	44	47	1	3	3	87.17	5.59	5.97	0.13	0.38	0.76
Against property.....	1,671	1,573	68	18	2	3	7	94.13	4.07	1.68	0.12	0.18	0.42
Miscellaneous.....	1,702	1,562	23	92	4	5	7	9	91.77	1.35	5.41	0.24	0.29	0.41	0.53

a Including those not stated.

Probably little significance attaches to the figures here given, with the exception of one or two points. It is noticeable that the percentage of insanity is largest among those charged with crimes against the person. So also is that of the crippled. Of women charged with crimes against the person, nearly 6 per cent are insane. The large percentage of insane charged with miscellaneous offenses is due to the fact that the list of miscellaneous offenses includes insanity.

CRIME, PAUPERISM, AND BENEVOLENCE.

The distribution of the insane, blind, deaf-mutes, and idiots, by classes of institutions, and by color, nativity, and race, is shown in the following table:

INSANE.

CLASSES.	Aggre- gate.	WHITE.							COLORED.			
		Total.	Native born.				Foreign born.	Nativity un- known.	Total.	Ne- groes.	Chi- nese.	In- dians.
			Parents native.	One parent foreign.	Parents foreign.	One or both parents un- known.						
Total.....	18,324	17,187	3,653	118	1,119	3,446	7,661	1,172	1,157	1,136	14	7
Prisoners	1,464	1,215	267	16	135	256	443	98	249	237	12
Paupers in almshouses.....	16,440	15,550	3,310	97	941	3,144	7,001	1,057	890	882	2	6
Inmates of benevolent institutions.....	420	402	76	3	43	46	217	17	18	17	1

BLIND.

Total.....	4,487	3,834	1,188	92	235	448	1,777	94	653	643	1	9
Prisoners	261	186	54	11	45	8	87	1	75	73	1	1
Juvenile offenders	80	27	7	5	5	7	3	3	3
Paupers in almshouses.....	3,061	2,572	885	39	103	340	1,146	59	439	433	6
Inmates of benevolent institutions.....	1,135	1,049	242	37	82	93	561	34	36	34	2

DEAF-MUTES.

Total.....	1,486	1,348	446	21	95	225	473	88	138	136	1	1
Prisoners	114	96	36	7	22	6	24	1	18	17	1
Juvenile offenders	19	18	6	5	4	2	1	1	1
Paupers in almshouses.....	922	825	289	8	39	165	255	69	97	98	1
Inmates of benevolent institutions.....	431	409	115	6	29	50	192	17	22	22

IDIOTS.

Total.....	8,853	8,064	3,477	96	532	2,117	1,381	401	849	843	2	4
Prisoners	173	124	41	6	18	14	41	4	49	49
Juvenile offenders	46	40	12	2	5	17	1	3	5	5
Paupers in almshouses.....	7,811	7,958	3,233	68	361	1,919	1,116	356	753	747	2	4
Inmates of benevolent institutions.....	824	782	189	20	148	167	223	38	42	42

SENTENCES FOR CRIME.

Of 97,175 prisoners and juvenile offenders, the number not under sentence is 10,144, namely: awaiting trial, 9,737 (9,072 male and 665 female); fraudulent debtors, 48 (46 male and 2 female); held as insane, 291 (212 male and 79 female); witnesses, 68 (52 male and 16 female).

Of the remaining 87,031, the sentences of 4,518 (3,415 male and 1,103 female) are not stated.

The 82,513 sentences reported are divided as follows: fine, without imprisonment (but usually commutable into imprisonment at some arbitrarily equivalent valuation determined by the statutes in each state), 3,946 (3,447 male and 499 female); term sentences, 65,479 (60,325 male and 5,154 female); indefinite sentences, 12,926, namely, for life, 2,766 (2,638 male and 128 female), and during minority, 10,160 (8,091 male and 2,069 female); capital sentences, 162 (161 male and 1 female).

The total number of sentences to imprisonment reported therefore is 78,405.

Sentences, exclusive of sentences for life and sentences to death, are of three sorts: those to pay fine or to serve terms less than 1 year, 22,896; those to serve terms of years, 46,529; those to serve during minority, 10,160. For convenience the first of these three groups will here be termed misdemeanants and the second felons. This characterization is not absolutely accurate, since there may be codes under which misdemeanors may be punished by imprisonment for a year or more (a); but this is the commonly accepted distinction between misdemeanors and felonies. Broadly speaking, misdemeanants are sent to jails or workhouses, and felons to state prisons or penitentiaries; but, as elsewhere pointed out, there are many exceptions to the general rule.

The tabulation of sentences by classes of prisons has not been attempted.

^aFor instance, in Massachusetts the minimum term of sentence to state prison is 3 years.

This branch of the general subject divides itself into three parts: (1) individual sentences; (2) aggregate duration of imprisonment; (3) average sentences. In the discussion these will be treated in connection under the three heads of geographical distribution of sentences; distribution by sex, color, nativity, and race; distribution by groups of crimes.

I.—SENTENCES FOR CRIME, BY GEOGRAPHICAL DIVISIONS.

(1) INDIVIDUAL SENTENCES.—The following summary shows, in combination for prisoners and juvenile offenders, term sentences, by sex and by geographical divisions:

TERM SENTENCES BY SEX.	NUMBERS.						PERCENTAGES.					
	The United States.	Geographical divisions.					The United States.	Geographical divisions.				
		North Atlantic.	South Atlantic.	North Central.	South Central.	Western.		North Atlantic.	South Atlantic.	North Central.	South Central.	Western.
Total.....	65,479	24,798	8,960	15,264	11,037	5,422	100.00	100.00	100.00	100.00	100.00	100.00
Male.....	60,325	21,741	8,315	14,471	10,530	5,268	92.13	87.68	92.80	94.80	95.41	97.18
Female.....	5,154	3,055	645	793	507	154	7.87	12.32	7.20	5.20	4.59	2.82
Ten days to one month.....	2,207	1,023	162	574	220	288	3.46	4.13	1.81	3.76	2.00	5.31
Male.....	1,938	800	121	544	196	275	2.96	3.23	1.35	3.56	1.78	5.07
Female.....	331	223	41	30	24	13	0.50	0.90	0.46	0.20	0.22	0.24
One to three months.....	6,975	3,170	817	1,670	813	505	10.65	12.78	9.12	10.94	7.36	9.82
Male.....	5,547	2,414	639	1,388	647	459	8.47	9.73	7.13	9.09	5.86	8.47
Female.....	1,428	756	178	282	166	46	2.18	3.05	1.99	1.85	1.50	0.85
Three to six months.....	4,729	3,134	439	577	333	246	7.22	12.64	4.90	3.78	3.02	4.54
Male.....	3,915	2,498	386	531	297	203	5.98	10.07	4.31	3.48	2.69	3.75
Female.....	814	636	53	46	36	43	1.24	2.57	0.59	0.30	0.33	0.79
Six months to one year.....	4,979	3,016	770	459	453	281	7.61	12.16	8.50	3.01	4.10	5.18
Male.....	4,335	2,502	698	441	422	272	6.62	10.09	7.79	3.89	3.82	5.02
Female.....	644	514	72	18	31	9	0.99	2.07	0.80	0.12	0.28	0.16
One year.....	7,992	2,930	1,217	2,122	1,091	632	12.21	11.82	13.58	13.90	9.89	11.66
Male.....	7,432	2,597	1,137	2,035	1,039	624	11.35	10.47	12.69	13.33	9.42	11.51
Female.....	560	333	80	87	52	8	0.86	1.35	0.89	0.57	0.47	0.15
Two years.....	9,143	2,922	1,073	2,494	1,972	982	13.96	11.78	11.98	16.34	17.87	12.58
Male.....	8,760	2,738	1,026	2,432	1,901	972	13.39	11.04	11.45	15.93	17.23	12.39
Female.....	374	184	47	62	71	10	0.57	0.74	0.53	0.41	0.64	0.19
Three years.....	9,268	1,882	719	1,954	1,000	713	9.57	7.59	8.02	12.80	9.06	13.15
Male.....	6,113	1,833	691	1,914	973	702	9.34	7.39	7.71	12.54	8.82	12.95
Female.....	165	49	28	40	27	11	0.23	0.20	0.31	0.26	0.24	0.20
Four years.....	3,492	1,048	517	915	744	293	5.33	4.23	5.77	5.99	6.74	4.94
Male.....	3,330	1,020	508	867	734	266	5.18	4.12	5.61	5.68	6.65	4.90
Female.....	162	28	14	48	10	2	0.15	0.11	0.16	0.31	0.09	0.04
Five years.....	7,561	2,782	967	1,674	1,052	486	11.55	11.22	10.79	10.97	14.07	8.96
Male.....	7,199	2,526	939	1,630	1,023	481	10.99	10.19	10.48	10.68	14.71	8.87
Female.....	362	256	28	44	29	5	0.56	1.03	0.31	0.29	0.20	0.09
Six to nine years.....	4,520	1,210	742	1,199	966	490	6.91	4.88	8.28	7.27	8.75	9.20
Male.....	4,341	1,157	710	1,025	952	497	6.63	4.67	7.93	6.72	8.62	9.16
Female.....	185	53	32	84	14	2	0.28	0.21	0.35	0.55	0.13	0.04
Ten to nineteen years.....	5,850	1,439	1,271	1,269	1,254	617	8.94	5.80	14.19	8.81	11.86	11.38
Male.....	5,682	1,419	1,266	1,225	1,220	612	8.68	5.72	13.46	8.02	11.05	11.29
Female.....	168	20	65	44	34	5	0.26	0.08	0.73	0.29	0.81	0.09
Twenty years and over.....	1,697	240	206	447	539	205	2.59	0.97	2.97	2.93	4.88	3.78
Male.....	1,666	237	259	439	526	205	2.54	0.96	2.89	2.88	4.76	3.78
Female.....	31	3	7	8	13	0.05	0.01	0.08	0.05	0.12

CRIME, PAUPERISM, AND BENEVOLENCE.

The foregoing statement can be still further condensed, to bring into sharper contrast the percentages of misdemeanants and felons:

SEX AND CLASS OF CRIMINALS.	The United States.	GEOGRAPHICAL DIVISIONS.				
		North Atlantic.	South Atlantic.	North Central.	South Central.	Western.
Both sexes.....	100.00	100.00	100.00	100.00	100.00	100.00
Misdemeanants.....	28.94	41.71	24.42	21.49	16.48	24.35
Felons.....	71.06	58.29	75.58	78.51	83.52	75.65
Male.....	92.13	87.08	92.80	94.80	95.41	97.16
Misdemeanants.....	24.03	33.12	20.58	19.02	14.15	22.31
Felons.....	68.10	64.66	72.22	75.78	81.26	74.85
Female.....	7.87	12.92	7.20	5.20	4.59	2.84
Misdemeanants.....	4.91	8.59	3.84	2.47	2.33	2.04
Felons.....	2.96	3.73	3.36	2.73	2.26	0.80

The largest percentages of misdemeanants, for men and for both sexes taken together, are in the North Atlantic division, then in the Western, the South Atlantic, the North Central, and the South Central. The percentages for women diminish from east to west.

There are in the aggregate about one-third as many female as male misdemeanants and one-fiftieth as many female as male felons.

As already stated, by misdemeanants are meant only such prisoners as receive sentence to imprisonment for less than 1 year. The word does not measure the wrong done, except so far as the penalty happens to be justly proportionate to the crime; in many cases it depends upon the temper of the jury, and it is modified by the mildness or severity of the code under which conviction is had.

There is a greater tendency to very long sentences in the south and west. In the South Atlantic division the percentage of sentences from 10 to 19 years is 14.19; in the Western, 11.36; in the South Central, 11.36; in the North Central, 8.31; in the North Atlantic, 5.80. Of sentences for 20 years and over, the percentage in the South Central is 4.88; in the Western, 3.78; in the South Atlantic, 2.97; in the North Central, 2.93; in the North Atlantic, 0.97. This affects the number of prisoners relative to the population, since there is a larger accumulation of undischarged prisoners where sentences are long. The same is true of misdemeanants compared with felons. The number of prisoners is not a gauge of the number of crimes or convictions.

The following is a list of varieties of fractional sentences, with the number of each:

Total.....	5,987
More than 1 year and less than 2 years.....	2,306
More than 2 years and less than 3 years.....	1,660
More than 3 years and less than 4 years.....	676
More than 4 years and less than 5 years.....	451
More than 5 years and less than 6 years.....	202
More than 6 years and less than 7 years.....	165
More than 7 years and less than 8 years.....	162
More than 8 years and less than 9 years.....	58
More than 9 years and less than 10 years.....	80
More than 10 years and less than 11 years.....	65
More than 11 years and less than 12 years.....	31
More than 12 years and less than 13 years.....	41
More than 13 years and less than 14 years.....	7
More than 14 years and less than 15 years.....	11
More than 15 years and less than 16 years.....	18
More than 16 years and less than 17 years.....	6
More than 17 years and less than 18 years.....	12
More than 18 years and less than 19 years.....	8
More than 19 years and less than 20 years.....	13
More than 20 years and less than 21 years.....	3
More than 21 years and less than 22 years.....	4
More than 22 years and less than 23 years.....	2
More than 24 years and less than 25 years.....	2
More than 25 years and less than 26 years.....	2
More than 29 years and less than 30 years.....	1
More than 35 years and less than 36 years.....	1

This is 9.01 per cent, or one-eleventh of the entire number. More than one-third of them occur in the state of New York. The states most given to fractional sentences are New York, Pennsylvania, Maryland, and New Jersey. The only state free from them is Florida.

Counting these fractional sentences and the nonfractional sentences of the next lower number of years together, it will be observed that the order of sentences in frequency is as follows: 2 years, 9,143; 1 year, 7,992; 5 years, 7,561; 3 years, 6,268; 4 years, 3,492; 10 years, 3,273; 7 years, 1,665; 6 years, 1,426; total, 40,820. In other words, three-fifths of all term sentences fall under one of the eight varieties here mentioned.

There is a great frequency of fractional sentences. In some states the law requires the courts to adjust sentences in such a way as to insure the release of the convict at a given season of the year, when his opportunities for self-support will be most favorable.

(2) AGGREGATE SENTENCES.—What is here said about the total duration of imprisonment (less than for life) prescribed by the courts refers exclusively to prisoners. While there are 1,826 inmates of juvenile reformatories who are serving term sentences, their number is so small in comparison with those committed until of age, and with the great body of adult prisoners, that the calculation of total duration and average sentences was not undertaken for them.

The total time which sentenced prisoners must spend in confinement (omitting all consideration of abridgments of sentence by commutation or pardon, death, or the operation of the "good time" laws) according to the letter of the judgments pronounced against them is 246,941.60 years.

The tables relating to this subject are so arranged as to make three cross exhibits or double analyses.

CRIME, PAUPERISM, AND BENEVOLENCE.

The geographical distribution of the total duration of sentences in the aggregate is shown, by sex, color, nativity, and race, in the following summary:

BOTH SEXES.

COLOR, NATIVITY, AND RACE.	The United States.	GEOGRAPHICAL DIVISIONS.				
		North Atlantic.	South Atlantic.	North Central.	South Central.	Western.
Total years.....	246,941.00	64,989.31	39,543.23	58,882.90	59,070.67	24,455.40
White.....	155,325.99	59,117.80	6,973.47	48,409.91	19,937.84	20,880.97
Native born.....	117,596.10	42,959.65	6,420.42	38,210.01	15,926.76	14,079.26
Parents native.....	68,104.82	19,620.70	5,201.66	22,488.60	12,165.19	8,568.07
One parent foreign.....	8,338.88	3,553.41	279.77	2,620.93	643.86	1,240.91
Parents foreign.....	30,711.38	17,482.60	508.26	7,706.98	1,372.20	3,641.19
One or both parents unknown.	10,441.02	2,302.85	370.73	5,393.50	1,745.45	628.49
Foreign born.....	36,895.98	16,127.58	520.63	10,068.03	3,396.78	6,782.96
Nativity unknown.....	833.01	30.57	32.42	131.87	614.30	24.75
Colored.....	91,615.61	5,871.51	32,569.76	10,472.99	39,132.83	3,568.52
Negroes.....	88,757.46	5,828.08	32,544.76	10,287.21	38,094.83	1,102.58
Chinese.....	1,650.08	20.50	19.42	4.08	1,606.08
Indians.....	1,208.07	22.93	25.00	166.36	133.92	859.86
MALE.						
Total years.....	239,270.91	61,005.96	37,821.66	57,701.32	57,573.01	24,268.96
White.....	151,419.96	56,418.47	6,814.70	47,614.06	19,828.20	20,744.35
Native born.....	114,032.78	41,212.22	6,274.65	37,611.31	15,830.18	14,004.42
Parents native.....	66,976.70	19,109.33	5,125.71	22,134.81	12,078.01	8,528.84
One parent foreign.....	8,200.68	3,462.63	277.94	2,598.00	643.78	1,224.38
Parents foreign.....	29,959.58	16,907.18	501.85	7,560.94	1,306.93	3,623.18
One or both parents unknown.	9,789.82	1,733.08	369.65	5,317.56	1,741.46	628.07
Foreign born.....	35,073.71	15,178.01	508.22	9,888.41	3,383.89	6,715.18
Nativity unknown.....	813.47	28.24	31.92	114.34	614.22	24.75
Colored.....	87,850.95	5,487.49	31,006.87	10,087.26	37,744.72	3,524.61
Negroes.....	84,999.66	5,445.15	30,981.87	9,901.92	37,606.72	1,064.00
Chinese.....	1,645.00	20.50	19.42	4.08	1,601.00
Indians.....	1,206.29	21.84	25.00	165.92	133.92	859.61
FEMALE.						
Total years.....	7,670.09	3,083.35	1,721.57	1,181.58	1,497.66	186.53
White.....	3,906.03	2,099.33	158.68	795.85	109.55	142.62
Native born.....	2,063.32	1,747.43	145.77	598.70	96.58	74.84
Parents native.....	1,128.12	511.37	135.95	353.79	87.18	30.83
One parent foreign.....	132.20	90.78	1.83	22.93	0.08	16.58
Parents foreign.....	751.80	575.51	6.91	146.04	5.33	18.01
One or both parents unknown.	651.20	569.77	1.08	75.04	3.99	0.42
Foreign born.....	1,222.27	949.57	12.41	179.62	12.89	67.78
Nativity unknown.....	20.44	2.33	0.50	17.53	0.08
Colored.....	3,764.66	354.02	1,562.89	385.73	1,388.11	43.91
Negroes.....	3,757.80	352.93	1,562.89	385.29	1,388.11	38.58
Chinese.....	5.08	5.08
Indians.....	1.78	1.09	0.44	0.25

(3) AVERAGE SENTENCES.—The briefest possible statement of average term sentences in years, by sex and by geographical divisions, is as follows:

SEX.	The United States.	GEOGRAPHICAL DIVISIONS.				
		North Atlantic.	South Atlantic.	North Central.	South Central.	Western.
Total.....	3.88	2.72	4.42	4.04	5.40	4.65
Male prisoners.....	4.07	2.95	4.55	4.12	5.51	4.75
Female prisoners.....	1.59	1.05	2.67	1.98	2.95	1.24

The averages for women are much less than for men.

The highest average is in the South Central division, 5.40 years; then in the Western, 4.65 years; in the South Atlantic, 4.42 years; in the North Central, 4.04 years; in the North Atlantic, 2.72 years. The large number of misdemeanants in the latter brings down the average very materially.

Table 123 gives the average sentence in each state and territory. The lowest in any state is in Rhode Island, 1.43 years; the highest is in Mississippi, 7.64 years. Mississippi is bounded by Louisiana, where the average is 3.36 years (about 1 year less than half the average in Mississippi); by Arkansas, where it is 4.37 years; Tennessee, where it is 5.14 years; Alabama, where it is 4.70 years. The average sentence in Virginia, 5.02 years, is approximately double that in Maryland, where it is 3.17 years. The average sentence in Vermont, 4.58 years, is more than double that in Connecticut, 2.22 years. The average sentence in Illinois, 5.01 years, is a year and a half longer than in Indiana, 3.55 years, and more than double that in Wisconsin, 2.40 years, or Minnesota, 2.52 years.

II.—SENTENCES FOR CRIME, BY ELEMENTS OF THE POPULATION.

(1) INDIVIDUAL SENTENCES.—The following summary shows, in combination for prisoners and juvenile offenders, all sentences, by sex, color, nativity, and race:

NUMBERS.

ALL SENTENCES BY SEX.	Aggregato.	WHITE.							COLORED.			
		Total.	Native born.				Foreign born.	Nativity un-known.	Total.	Negroes.	Chinese.	Indians.
			Parents native.	One parent foreign.	Parents foreign.	One or both parents un-known.						
Total.....	97,175	70,213	24,282	3,844	16,506	6,857	17,337	1,827	26,962	26,207	421	334
Male.....	87,459	62,892	22,609	3,450	14,958	5,774	14,998	1,193	24,567	23,830	419	318
Female.....	9,716	7,321	1,673	394	1,608	1,083	2,339	224	2,395	2,377	2	16
Sentenced:												
Serving fine.....	3,946	2,804	705	97	802	102	1,151	37	1,052	1,049	1	2
Male.....	3,447	2,583	623	86	741	87	1,010	36	864	863	1	
Female.....	499	311	82	11	61	15	141	1	188	186		2
Ten days.....	2,267	1,912	456	54	382	242	733	45	355	340		6
Male.....	1,936	1,654	415	52	353	198	502	44	282	277		5
Female.....	331	258	41	2	29	44	141	1	73	72		1
One month.....	6,975	5,487	1,361	223	1,454	380	2,017	52	1,488	1,434	18	36
Male.....	5,547	4,413	1,184	193	1,221	312	1,453	50	1,184	1,086	17	31
Female.....	1,428	1,074	177	30	233	68	564	2	304	348	1	5
Three months.....	4,729	3,900	998	199	1,139	116	1,433	15	829	809	9	11
Male.....	3,915	3,202	891	172	998	92	1,035	14	713	694	9	10
Female.....	814	698	107	27	141	24	398	1	116	115		1
Six months.....	4,979	3,724	1,050	189	1,034	120	1,321	10	1,255	1,221	21	13
Male.....	4,335	3,217	973	172	934	111	1,020	7	1,118	1,086	21	11
Female.....	644	507	77	17	100	9	301	3	137	135		2
One year.....	7,092	5,592	2,208	336	1,303	312	1,391	42	2,400	2,336	32	32
Male.....	7,432	5,195	2,118	314	1,221	282	1,222	38	2,237	2,173	32	32
Female.....	560	397	90	22	82	30	169	4	163	163		

CRIME, PAUPERISM, AND BENEVOLENCE.

NUMBERS—Continued.

SENTENCES BY SEX.	Aggre- gate.	WHITE.							COLORED.			
		Total.	Native born.				Foreign born.	Nativity un- known.	Total.	Negroes.	Chinese.	Indians.
			Parents native.	One parent foreign.	Parents foreign.	One or both parents un- known.						
Sentenced—Continued.												
Two years	9,143	6,312	2,511	357	1,497	477	1,393	77	2,831	2,793	20	18
Male	8,769	6,094	2,463	340	1,459	447	1,310	75	2,675	2,637	20	18
Female	374	218	48	17	38	30	83	2	156	156		
Three years	6,268	4,427	1,815	270	972	405	926	39	1,841	1,812	14	15
Male	6,113	4,348	1,795	268	959	392	898	36	1,765	1,736	14	15
Female	155	79	20	2	13	13	28	3	76	76		
Four years	3,492	2,369	912	119	520	242	555	21	1,123	1,099	15	9
Male	3,390	2,295	888	117	516	214	541	19	1,095	1,071	15	9
Female	102	74	24	2	4	28	14	2	28	28		
Five years	7,561	5,345	2,039	292	1,250	557	1,155	43	2,216	2,153	31	27
Male	7,109	5,063	1,970	287	1,190	452	1,123	41	2,136	2,079	30	27
Female	362	282	69	5	69	105	32	2	80	79	1	
Six to ten years	4,526	2,999	1,335	168	604	211	659	22	1,527	1,485	29	13
Male	4,341	2,878	1,305	160	593	162	645	13	1,463	1,421	29	13
Female	185	121	30	8	11	49	14	9	64	64		
Ten to twenty years	5,850	3,475	1,599	194	627	191	842	22	2,375	2,299	45	31
Male	5,682	3,422	1,579	194	622	174	832	21	2,260	2,184	45	31
Female	168	53	20		5	17	10	1	115	115		
Twenty years and over	1,697	924	471	40	131	66	215	1	773	740	18	15
Male	1,606	913	463	40	131	66	212	1	753	720	18	15
Female	31	11	8				3		20	20		
During minority	10,160	8,594	2,592	538	2,024	2,352	819	359	1,566	1,556	1	9
Male	8,091	6,799	1,955	427	1,743	1,895	678	191	1,292	1,283	1	8
Female	2,069	1,795	547	111	281	547	141	168	274	273		1
Life	2,766	1,596	792	70	184	97	444	9	1,170	1,093	51	26
Male	2,638	1,537	777	66	183	89	424	8	1,101	1,025	51	25
Female	128	59	25	4	1	8	20	1	69	68		1
Death	162	109	60	5	9	9	25	1	53	49	3	1
Male	161	108	60	5	9	9	24	1	53	49	3	1
Female	1	1					1					
Not stated	4,518	3,842	726	377	1,521	345	790	173	670	608	64	4
Male	3,415	2,831	576	254	1,036	290	563	162	534	468	64	2
Female	1,103	991	150	123	485	55	137	11	142	140		2
Not sentenced:												
Awaiting trial	9,737	6,445	2,653	308	1,075	598	1,477	334	3,292	3,178	48	66
Male	9,072	6,066	2,599	295	1,024	564	1,346	328	3,006	2,893	48	65
Female	665	379	144	13	51	34	131	6	286	285		1
Debtors	48	42	14	3	8	1	16		6	6		
Male	46	40	14	3	7	1	15		6	6		
Female	2	2			1		1					
Insane	201	182	63	2	14	29	49	25	109	108	1	
Male	212	150	52	2	13	23	42	18	62	61	1	
Female	79	32	11		1	6	7	7	47	47		
Hold as witnesses	68	43	12	3	7	5	16		25	25		
Male	52	34	9	3	5	4	13		18	18		
Female	16	9	3		2	1	3		7	7		

INMATES OF ALL INSTITUTIONS.

PERCENTAGES. (a)

SENTENCES BY SEX.	Aggro- gate.	WHITE.							COLORED.			
		Total.	Native born.				Foreign born.	Nativity un- known.	Total.	Negroes.	Chinese.	Indians.
			Parents native.	One parent foreign.	Parents foreign.	One or both parents un- known.						
Total.....	100.00	100.00	100.00	100.00	100.00	100.00	100.00	100.00	100.00	100.00	100.00	100.00
Male.....	90.49	90.05	93.44	91.81	92.34	83.21	86.34	74.84	91.63	91.48	99.25	95.08
Female.....	9.51	9.95	6.56	8.19	7.66	16.79	13.66	25.16	8.37	8.52	0.65	4.92
Sentenced:												
Serving fine.....	4.78	4.85	3.39	3.08	5.75	1.74	7.63	4.65	4.60	4.71	0.32	0.75
Male.....	4.18	4.33	2.99	2.73	5.32	1.48	6.70	4.52	3.78	3.87	0.32
Female.....	0.60	0.52	0.40	0.35	0.43	0.26	0.93	0.13	0.82	0.84	0.75
Ten days.....	2.75	3.20	2.19	1.71	2.74	4.12	4.80	5.00	1.55	1.57	2.28
Male.....	2.35	2.77	1.99	1.65	2.53	3.37	3.93	5.53	1.23	1.24	1.90
Female.....	0.40	0.43	0.20	0.06	0.21	0.75	0.87	0.47	0.32	0.33	0.38
One month.....	8.45	9.20	6.54	7.08	10.43	6.46	13.38	6.54	6.51	6.44	5.84	13.63
Male.....	6.72	7.40	5.69	6.13	8.76	5.31	9.03	6.20	4.96	4.88	5.52	11.74
Female.....	1.73	1.80	0.85	0.95	1.67	1.15	3.75	0.25	1.55	1.56	0.32	1.89
Three months.....	5.73	6.54	4.80	6.31	8.17	1.97	9.50	1.89	3.63	3.63	2.92	4.17
Male.....	4.74	5.37	4.28	5.40	7.16	1.56	6.86	1.76	3.12	3.11	2.92	3.70
Female.....	0.99	1.17	0.52	0.91	1.01	0.41	2.64	0.13	0.51	0.52	0.47
Six months.....	6.03	6.24	5.04	6.00	7.42	2.04	8.76	1.26	5.40	5.48	6.82	4.93
Male.....	5.25	5.39	4.37	5.46	6.70	1.89	6.76	0.88	4.89	4.87	6.82	4.17
Female.....	0.78	0.85	0.67	0.54	0.72	0.15	2.00	0.38	0.51	0.61	0.76
One year.....	9.69	9.37	10.01	10.06	9.35	5.31	9.23	5.28	10.50	10.48	10.39	12.12
Male.....	0.01	8.70	10.18	9.96	8.76	4.80	8.11	4.78	9.70	9.75	10.39	12.13
Female.....	0.68	0.67	0.43	0.70	0.59	0.51	1.12	0.50	0.71	0.73
Two years.....	11.08	10.58	12.06	11.33	10.74	8.11	9.24	9.68	12.39	12.53	6.49	6.82
Male.....	10.63	10.21	11.83	10.79	10.47	7.60	8.09	9.43	11.71	11.83	6.49	6.82
Female.....	0.45	0.37	0.23	0.54	0.27	0.51	0.55	0.25	0.68	0.70
Three years.....	7.00	7.42	8.72	8.57	6.97	6.89	6.14	4.91	8.00	8.13	4.55	5.68
Male.....	7.41	7.20	8.92	8.51	6.88	6.87	5.95	4.53	7.73	7.79	4.55	5.68
Female.....	0.19	0.18	0.10	0.06	0.09	0.22	0.19	0.38	0.27	0.34
Four years.....	4.23	3.97	4.38	3.78	3.73	4.12	3.68	2.64	4.02	4.03	4.37	3.41
Male.....	4.11	3.85	4.27	3.71	3.70	3.64	3.59	2.39	4.79	4.81	4.37	3.41
Female.....	0.12	0.12	0.11	0.07	0.03	0.48	0.09	0.25	0.13	0.12
Five years.....	9.16	8.96	9.80	9.27	9.03	9.47	7.66	5.41	9.70	9.69	10.07	10.23
Male.....	8.72	8.49	9.47	9.11	8.54	7.68	7.45	5.16	9.85	9.38	9.74	10.23
Female.....	0.44	0.47	0.33	0.16	0.49	1.79	0.21	0.25	0.85	0.36	0.33
Six to ten years.....	5.49	5.08	6.41	5.33	4.33	3.50	4.37	2.77	6.68	6.66	9.42	4.92
Male.....	5.26	4.83	6.27	5.07	4.25	2.76	4.28	1.64	6.40	6.38	9.42	4.92
Female.....	0.23	0.20	0.14	0.26	0.08	0.74	0.09	1.13	0.28	0.28
Ten to twenty years.....	7.09	5.82	7.68	6.16	4.50	3.25	5.58	2.76	10.39	10.32	14.61	11.74
Male.....	6.89	5.73	7.59	6.16	4.46	2.96	5.51	2.93	9.89	9.80	14.61	11.74
Female.....	0.20	0.09	0.09	0.04	0.29	0.07	0.13	0.50	0.52
Twenty years and over.....	2.06	1.55	2.26	1.27	0.94	1.12	1.43	0.13	3.38	3.32	5.84	5.68
Male.....	2.02	1.53	2.22	1.27	0.94	1.12	1.41	0.13	3.30	3.23	5.84	5.68
Female.....	0.04	0.02	0.04	0.02	0.08	0.09
During minority.....	12.31	14.41	12.02	17.07	14.52	40.01	5.43	45.16	6.85	6.98	0.32	3.41
Male.....	9.80	11.40	9.39	13.55	12.50	30.71	4.50	24.03	5.65	5.76	0.32	3.03
Female.....	2.51	3.01	2.63	3.52	2.02	9.30	0.93	21.13	1.20	1.22	0.38

a The percentages are calculated on the total basis of 82,513, omitting 4,518 not stated, 9,737 not sentenced, 48 debtors, 201 insane, and 68 witnesses.

PERCENTAGES—Continued.

SENTENCES BY SEX.	Aggre- gate.	WHITE.							COLORED.			
		Total.	Native born.				Foreign born.	Nativity un- known.	Total.	Negroes.	Chinese.	Indians.
			Parents native.	One parent foreign.	Parents foreign.	One or both parents un- known.						
Sentenced—Continued.												
Life.....	3.35	2.68	3.81	2.22	1.82	1.65	2.94	1.13	5.12	4.91	16.56	9.85
Male.....	3.20	2.58	3.60	2.09	1.81	1.51	2.81	1.01	4.81	4.61	16.56	9.47
Female.....	0.15	0.10	0.12	0.13	0.01	0.14	0.13	0.12	0.31	0.30	0.38
Death.....	0.20	0.18	0.29	0.16	0.06	0.15	0.17	0.13	0.23	0.22	0.08	0.38
Male.....	0.20	0.18	0.29	0.16	0.06	0.15	0.17	0.13	0.23	0.22	0.08	0.38
Female.....	0.00	0.00	0.01

a Less than five-thousandths of 1 per cent.

These percentages may be presented in the following condensed form:

SENTENCES.	Aggre- gate.	WHITE.							COLORED.			
		Total.	Native born.				Foreign born.	Nativity un- known.	Total.	Negroes.	Chinese.	Indians.
			Parents native.	One parent foreign.	Parents foreign.	One or both parents un- known.						
Total.....	100.00	100.00	100.00	100.00	100.00	100.00	100.00	100.00	100.00	100.00	100.00	100.00
Misdemeanants.....	27.74	30.03	21.90	24.18	34.51	16.33	44.13	20.00	21.78	21.63	15.90	25.76
Fine.....	4.78	4.35	3.39	3.08	5.75	1.74	7.63	4.05	4.00	4.71	0.32	0.75
Short terms.....	22.96	25.18	18.57	21.10	28.76	14.59	36.50	15.35	17.18	17.12	15.58	25.01
Felons.....	59.95	55.56	66.02	58.75	50.97	43.06	50.44	34.84	71.37	71.10	83.78	70.83
Long terms.....	56.40	52.70	61.92	56.37	49.59	41.86	47.33	33.53	66.02	66.06	66.24	60.60
Life.....	3.35	2.68	3.81	2.22	1.32	1.65	2.94	1.13	5.12	4.91	16.56	9.85
Death.....	0.20	0.18	0.29	0.16	0.06	0.15	0.17	0.13	0.23	0.22	0.08	0.38
Juvenile offenders sentenced "during minority".	12.31	14.41	12.02	17.07	14.52	40.01	5.43	45.16	6.85	6.98	0.82	3.41

The percentage of misdemeanants is much larger for the white than for the colored population. A little more than half of the whites are treated as felons, and nearly three-fourths of the colored. The percentage of felons among the Chinese is peculiarly high, 83.78; of Chinese more than five times as large a per cent is awaiting execution as of the native whites.

The percentage of felons among the foreign whites is somewhat less than for the natives with native parents.

INMATES OF ALL INSTITUTIONS.

(2) AGGREGATE SENTENCES.—The following summary shows, in years, the total duration of imprisonment, by sex, color, nativity, and race and by groups of crimes:

BOTH SEXES.

COLOR, NATIVITY, AND RACE.	Total years.	GROUPS OF CRIMES.					
		Against the govern-ment.	Against society.	Against the person.	Against property.	On the high seas.	Miscella-neous.
Total.....	246,041.60	4,244.64	10,739.31	68,083.64	124,634.88	2.75	17,839.48
White.....	155,325.99	3,910.12	8,882.70	48,376.85	83,563.09	2.75	11,000.48
Native born.....	117,506.13	2,734.71	5,887.57	34,307.74	65,633.02	9,032.46
Parents native.....	63,104.82	965.86	2,913.35	22,708.65	36,333.20	5,118.76
One parent foreign.....	8,338.83	114.57	393.37	2,083.49	5,059.92	684.53
Parents foreign.....	30,711.38	226.03	1,811.02	6,557.08	19,715.84	2,401.40
One or both parents un-known.	10,441.02	1,428.25	761.83	2,898.57	4,524.66	827.71
Foreign born.....	36,895.98	1,171.91	2,472.31	13,847.94	17,479.16	2.75	1,921.91
Nativity unknown.....	833.91	3.50	22.82	221.17	450.31	136.11
Colored.....	91,615.61	334.52	2,356.61	39,703.69	42,471.79	6,740.00
Negroes.....	88,757.46	314.02	2,277.45	38,017.28	41,440.54	6,708.17
Chinese.....	1,650.98	3.00	59.50	775.50	782.50	29.58
Indians.....	1,208.07	17.50	19.66	910.91	248.75	11.25
MALE.							
Total.....	239,270.91	4,232.36	8,617.17	85,117.61	123,502.38	2.75	17,708.64
White.....	151,419.06	3,897.87	6,502.02	47,475.00	82,510.99	2.75	11,031.33
Native born.....	114,032.78	2,731.71	4,535.00	33,631.92	65,030.03	9,003.22
Parents native.....	66,976.70	965.86	2,520.32	22,287.74	36,092.17	5,101.61
One parent foreign.....	8,206.98	111.57	337.08	2,059.91	6,016.67	681.45
Parents foreign.....	29,050.58	226.03	1,811.30	6,427.36	19,568.92	2,395.97
One or both parents un-known.	9,789.82	1,428.25	328.20	2,856.91	4,352.27	824.19
Foreign born.....	35,673.71	1,162.66	1,946.16	13,626.61	17,042.65	2.75	1,892.58
Nativity unknown.....	813.47	3.50	19.96	216.17	468.31	135.58
Colored.....	87,850.95	334.49	2,115.15	37,642.61	41,091.39	6,677.31
Negroes.....	84,009.66	313.99	2,042.60	35,650.28	40,050.31	6,636.48
Chinese.....	1,645.00	3.00	54.42	775.50	782.50	29.58
Indians.....	1,206.29	17.50	18.13	910.83	248.58	11.25
FEMALE.							
Total.....	7,670.69	12.28	2,122.14	2,062.93	2,442.50	130.84
White.....	3,906.03	12.25	1,880.08	901.85	1,052.10	59.15
Native born.....	2,603.32	3.00	1,351.67	675.82	603.59	29.24
Parents native.....	1,128.12	389.03	480.91	241.03	17.15
One parent foreign.....	132.20	3.00	59.29	23.58	43.25	3.08
Parents foreign.....	751.80	469.72	129.67	146.92	5.49
One or both parents un-known.	651.20	433.63	41.66	172.80	3.52
Foreign born.....	1,222.27	9.25	520.15	221.03	436.51	29.33
Nativity unknown.....	20.44	2.86	5.00	12.00	0.53
Colored.....	3,764.66	0.03	241.46	2,061.08	1,390.40	71.69
Negroes.....	3,757.89	0.03	234.85	2,061.00	1,390.23	71.69
Chinese.....	5.08	5.08
Indians.....	1.78	1.53	0.08	0.17

More than half is for crimes against property and more than one-third for crimes against the person.

While the colored prisoners combined do not receive more than half as much time in sentences as the whites for crimes against property, they get almost as much time in sentences (four-fifths) for crimes against the person. Colored women get more time in sentences than white women for both, but for crimes against the person more than double.

(3) AVERAGE SENTENCES.—Thus we are again brought to consider average sentences. Attention is invited to the following brief exhibit:

COLOR, NATIVITY, AND RACE.	Total.	Male.	Female.
Total	3.88	4.07	1.50
White	3.46	3.65	1.12
Native born.....	3.67	3.70	1.51
Parents native.....	4.15	4.25	1.70
One parent foreign.....	3.53	3.66	1.08
Parents foreign.....	2.96	3.10	1.08
One or both parents unknown.....	3.57	3.74	2.14
Foreign born.....	2.97	3.32	0.72
Nativity unknown.....	2.41	2.47	1.28
Colored	4.87	5.04	2.70
Negroes	4.84	5.01	2.80
Chinese.....	6.55	6.58	2.54
Indians.....	5.42	5.64	0.20

The average sentence for a negro is 1 year longer than that for a white man. The average sentence for a Chinaman is 3 years longer than for a white man. The disproportion between average sentences for female prisoners is greater than for male prisoners.

The average sentence for a native white with both parents native is more than a year longer than for a native white with both parents foreign.

INMATES OF ALL INSTITUTIONS.

III.—SENTENCES FOR CRIME, BY GROUPS OF CRIMES.

(1) INDIVIDUAL SENTENCES.—The following summary shows, in combination for prisoners and juvenile offenders, all sentences, by sex and by groups of crimes:

ALL SENTENCES BY SEX.	NUMBERS.							PERCENTAGES. (a)						
	Total.	Groups of crimes.						Total.	Groups of crimes.					
		Against the government.	Against society.	Against the person.	Against prop-erty.	On the high seas.	Miscel-laneous.		Against the government.	Against society.	Against the person.	Against prop-erty.	On the high seas.	Miscel-laneous.
Total.....	97,175	1,857	25,795	17,589	42,222	4	9,708	100.00	100.00	100.00	100.00	100.00	100.00	100.00
Male.....	87,459	1,841	20,265	16,802	40,551	4	8,066	90.40	99.50	78.01	95.96	96.20	100.00	86.82
Female.....	9,716	16	5,540	787	1,671		1,702	9.51	0.50	21.96	4.04	3.80		13.18
Sentenced:														
Serving fine.....	3,946	24	2,799	325	320		478	4.78	1.51	12.09	2.22	0.85		8.44
Male.....	3,447	23	2,411	297	303		413	4.18	1.45	10.42	2.03	0.81		7.29
Female.....	490	1	388	28	17		65	0.60	0.06	1.67	0.19	0.04		1.15
Ten days.....	2,297	3	1,885	61	218		100	2.75	0.19	8.14	0.42	0.58		1.77
Male.....	1,936	2	1,588	57	211		78	2.35	0.13	6.86	0.39	0.50		1.38
Female.....	331	1	297	4	7		22	0.40	0.06	1.28	0.03	0.02		0.39
One month.....	6,975	67	4,078	557	1,001		282	8.45	4.21	21.50	3.81	2.91		4.98
Male.....	5,547	67	3,758	512	991		219	6.72	4.21	16.23	3.50	2.64		3.87
Female.....	1,428		1,220	45	100		63	1.73		5.27	0.31	0.27		1.11
Three months.....	4,720	83	2,679	500	1,308		150	5.73	5.21	11.57	3.42	3.49		2.81
Male.....	3,915	82	2,024	472	1,206		131	4.74	5.15	8.74	3.23	3.22		2.31
Female.....	814	1	655	28	102		28	0.99	0.06	2.83	0.19	0.27		0.50
Six months.....	4,079	90	2,075	674	1,907		173	6.03	5.05	8.06	4.61	5.25		3.06
Male.....	4,935	90	1,598	645	1,859		152	5.25	5.05	6.60	4.41	4.04		2.69
Female.....	644		477	29	117		21	0.78		2.06	0.20	0.31		0.37
One year.....	7,992	258	1,214	1,014	4,901		545	8.69	16.21	5.24	6.94	13.23		9.63
Male.....	7,432	256	943	984	4,715		534	9.01	16.08	4.07	6.73	12.58		9.44
Female.....	560	2	271	30	246		11	0.68	0.13	1.17	0.21	0.65		0.19
Two years.....	9,143	269	872	1,225	6,258	1	618	11.08	16.90	3.77	8.38	10.09	33.83	9.15
Male.....	8,700	268	757	1,178	6,052	1	513	10.63	16.84	3.27	8.06	16.14	33.83	9.06
Female.....	374	1	115	47	206		5	0.45	0.06	0.50	0.32	0.55		0.09
Three years.....	6,268	289	282	798	4,452		447	7.60	13.15	1.22	5.46	11.88		7.90
Male.....	6,113	289	250	773	4,356		445	7.41	13.15	1.08	5.29	11.02		7.86
Female.....	155		32	25	96		2	0.19		0.14	0.17	0.26		0.04
Four years.....	8,402	192	117	563	2,275		345	4.23	12.06	0.50	3.85	6.07		6.10
Male.....	8,300	190	86	541	2,237		336	4.11	11.03	0.37	3.70	5.97		5.94
Female.....	102	2	31	22	38		9	0.12	0.13	0.13	0.15	0.10		0.16
Five years.....	7,561	238	490	1,163	5,179		491	9.16	14.05	2.12	7.95	13.81		8.67
Male.....	7,109	238	262	1,132	5,091		476	8.72	14.05	1.13	7.74	13.58		8.41
Female.....	362		228	31	88		16	0.44		0.99	0.21	0.23		0.26
Six to nine years.....	4,526	45	243	1,150	2,605		483	5.40	2.83	1.05	7.87	6.95		8.53
Male.....	4,341	45	169	1,112	2,553		462	5.27	2.83	0.73	7.61	6.81		8.16
Female.....	185		74	38	52		21	0.22		0.32	0.26	0.14		0.37
Ten to nineteen years.....	5,850	79	102	2,514	2,724		431	7.09	1.79	0.70	17.20	7.27		7.61
Male.....	5,682	79	752	2,414	2,679		418	6.89	1.79	0.66	16.52	7.15		7.88
Female.....	168		10	100	45		13	0.20		0.04	0.68	0.12		0.23
Twenty years and over.....	1,697		13	1,175	407		102	2.06		0.06	3.04	1.00		1.80
Male.....	1,666		13	1,146	405		102	2.02		0.06	7.84	1.08		1.80
Female.....	31			29	2			0.04		0.20	0.01			

a The percentages are calculated on the total basis of 82,513 reported, omitting 4,518 not stated, 9,787 not sentenced, 48 debtors, 291 insane, and 68 witnesses.

ALL SENTENCES BY SEX.	NUMBERS.							PERCENTAGES.										
	Total.	Groups of crimes.						Total.	Groups of crimes.									
		Against the government.	Against society.	Against the person.	Against property.	On the high seas.	Miscellaneous.		Against the government.	Against society.	Against the person.	Against property.	On the high seas.	Miscellaneous.				
Sentenced—Continued.																		
During minority.....	10,169	5	5,317	201	3,576		1,061	12.31	0.31	22.97	1.37	9.54					18.75	
Male.....	8,091	5	4,031	189	3,276		590	9.80	0.31	17.41	1.29	8.74					10.43	
Female.....	2,069		1,286	12	300		471	2.51		5.56	0.08	0.80					8.32	
Life.....	2,766	10	26	2,537	148	2	43	3.35	0.63	0.11	17.36	0.39	66.67				0.76	
Male.....	2,638	10	26	2,416	141	2	43	3.20	0.63	0.11	16.53	0.37	66.67				0.76	
Female.....	128			121	7			0.15			0.83	0.02						
Death.....	162			160			2	0.20			1.10						0.04	
Male.....	101			150			2	0.20			1.09						0.04	
Female.....	1			1							0.01							
Not stated.....	4,518	46	810	407	521		2,734											
Male.....	3,415	46	586	364	496		1,923											
Female.....	1,103		224	43	25		811											
Not sentenced:																		
Awaiting trial.....	9,737	210	1,822	2,505	4,181	1	940											
Male.....	9,072	211	1,590	2,411	3,558	1	901											
Female.....	665	8	232	154	223		48											
Debtors.....	48		11		31		6											
Male.....	46		11		31		4											
Female.....	2						2											
Insane.....	201						291											
Male.....	212						212											
Female.....	79						79											
Held as witnesses.....	68						68											
Male.....	52						52											
Female.....	16						16											

The statement of percentages may be further reduced as follows:

SENTENCES.	Total.	GROUPS OF CRIMES.					
		Against the government.	Against society.	Against the person.	Against property.	On the high seas.	Miscellaneous.
Total.....	100.00	100.00	100.00	100.00	100.00	100.00	100.00
Misdemeanants.....	27.74	16.77	62.26	14.48	13.08		21.06
Fine.....	4.78	1.51	12.09	2.22	0.85		8.44
Short terms.....	22.96	15.26	50.17	12.26	12.23		12.62
Felons.....	59.95	82.92	14.77	84.15	77.38	100.00	60.19
Long terms.....	56.40	82.29	14.66	65.09	76.99	33.33	59.39
Life.....	3.35	0.63	0.11	17.36	0.39	66.67	0.76
Death.....	0.20			1.10			0.04
Juvenile offenders sentenced "during minority".	12.31	0.31	22.97	1.37	9.54		18.75

The great mass of offenses against society are misdemeanors, punishable by a mere fine or by a short term of imprisonment. Since the foreign white element is more addicted to offenses against society than to serious crime, the reason is apparent why the average sentence for that element is lighter than for any other.

The largest percentage of felonies is included in crimes against the person, 84.15; then against the government, 82.92; against property, 77.38; miscellaneous, 60.19; against society, 14.77. The percentage for crimes on the high seas represents only 4 persons and need not be considered.

(2) **AGGREGATE SENTENCES.**—The following summary shows the geographical distribution of the total years of imprisonment, by groups of crimes:

BOTH SEXES.

OFFENSES.	The United States.	GEOGRAPHICAL DIVISIONS.				
		North Atlantic.	South Atlantic	North Central.	South Central.	Western.
Total	246,041.60	64,989.31	39,543.23	58,882.90	59,070.07	24,455.49
Against the government.....	4,244.64	805.52	70.41	2,759.06	131.86	478.29
Against society.....	10,739.31	5,672.25	1,050.61	1,733.81	1,641.71	634.93
Against the person.....	88,060.54	15,215.07	13,766.23	22,926.56	27,016.06	9,156.57
Against property.....	126,034.83	39,100.33	22,539.23	25,584.06	25,384.06	13,425.65
On the high seas.....	2.75	2.75				
Miscellaneous.....	17,839.48	4,193.39	2,110.65	5,878.81	4,896.58	760.05
MALE.						
Total	239,270.91	61,005.96	37,821.66	57,701.32	57,573.01	24,268.06
Against the government.....	4,232.36	704.52	70.41	2,758.06	131.08	478.20
Against society.....	8,617.17	3,886.18	955.30	1,632.95	1,650.39	692.35
Against the person.....	85,117.61	14,839.40	12,926.65	22,172.29	26,083.20	9,090.07
Against property.....	123,692.38	33,240.58	21,792.64	25,271.79	24,942.17	13,345.20
On the high seas.....	2.75	2.75				
Miscellaneous.....	17,798.64	4,142.53	2,076.66	5,866.23	4,868.17	757.05
FEMALE.						
Total.....	7,070.69	3,083.35	1,721.57	1,181.58	1,497.66	180.53
Against the government.....	12.28	11.00		1.00	0.28	
Against society.....	2,122.14	1,786.07	101.31	100.86	91.32	42.58
Against the person.....	2,062.93	375.67	339.63	754.27	932.86	60.50
Against property.....	2,442.50	859.75	746.64	312.37	442.79	80.45
Miscellaneous.....	130.84	50.86	33.99	12.58	30.41	3.00

In the North Central division less than one-half of the duration of imprisonment is for crimes against property and in the North Atlantic less than one-third is for crimes against the person. Elsewhere the rule stated holds good.

There is a high aggregate of sentences for crimes against property in the North Atlantic division and for crimes against the person in the South Central. More than one-half of the aggregate sentences against venial offenses is in the North Atlantic, yet, though it may swell the relative number of prisoners slightly, it does not show for very much in the total duration of imprisonment nor greatly increase the burden of prospective cost.

(3) **AVERAGE SENTENCES.**—Finally, we reach average sentences once more. For the different groups of crimes the average sentences, in years, are:

SEX.	Total.	GROUPS OF CRIMES.					
		Against the gov- ernment.	Against society.	Against the person.	Against property.	On the high seas.	Miscella- neous.
Both sexes.....	3.88	2.76	0.76	7.77	3.35	2.75	4.51
Male.....	4.07	2.76	0.79	7.80	3.90	2.75	4.67
Female.....	1.59	1.75	0.67	6.99	2.29		0.80

The average sentence for male offenders against the person is double that for male offenders against property. The average sentence for offenses against society is 9 months.

CRIME, PAUPERISM, AND BENEVOLENCE.

MARRIED, WIDOWED, OR DIVORCED MOTHERS.

The topics which remain to be discussed apply only to paupers in almshouses and inmates of benevolent institutions.

The question as to motherhood relates only to 26,605 women reported as married, widowed, or divorced. It was unanswered in 4,511 cases. Of the remaining 22,094, 15,987, or 72.36 per cent, are reported as having children and 6,107, or 27.64 per cent, as having borne no children.

The percentage of mothers in almshouses is 76.22 and in benevolent institutions 66.94.

I.—BY GEOGRAPHICAL DIVISIONS.

GEOGRAPHICAL DIVISIONS.	NUMBERS.				PERCENTAGES. (a)	
	Total.	Have children.	Have no children.	Not stated.	Have children.	Have no children.
The United States.....	26,605	15,987	6,107	4,511	72.36	27.64
North Atlantic.....	14,026	8,149	3,096	2,181	68.80	31.20
South Atlantic.....	2,666	1,781	554	331	76.27	23.73
North Central.....	7,408	4,451	1,345	1,612	76.79	23.21
South Central.....	1,853	1,215	353	285	77.49	22.51
Western.....	652	391	159	102	71.09	28.91

a The percentages are calculated on the total basis of 22,094 reported, omitting 4,511 not stated.

The largest percentage of mothers is in the South Central division, 77.49; then in the North Central, 76.79; in the South Atlantic, 76.27; in the Western, 71.09; and in the North Atlantic, 68.80. This order is the same as that given for paupers only, but varies somewhat from that given for inmates of benevolent institutions.

II.—BY ELEMENTS OF THE POPULATION.

COLOR, NATIVITY, AND RACE.	NUMBERS.				PERCENTAGES. (a)	
	Total.	Have children.	Have no children.	Not stated.	Have children.	Have no children.
Total.....	26,605	15,987	6,107	4,511	72.36	27.64
White.....	24,733	14,742	5,775	4,218	71.85	28.15
Native born.....	10,726	6,766	2,403	1,557	73.79	26.21
Parents native.....	6,833	4,449	1,566	818	73.97	26.03
One parent foreign.....	430	307	83	40	78.72	21.28
Parents foreign.....	1,197	774	241	182	76.26	23.74
One or both parents unknown.....	2,206	1,236	513	517	70.87	29.33
Foreign born.....	13,996	7,703	3,211	2,476	70.58	29.42
Nativity unknown.....	617	273	161	183	62.90	37.10
Colored.....	1,872	1,245	332	295	78.05	21.05
Negroes.....	1,862	1,235	332	295	78.81	21.19
Indians.....	10	10			100.00	

a The percentages are calculated on the total basis of 22,094 reported, omitting 4,511 not stated.

Omitting those whose nativity or parentage is unknown, and the 10 Indians, all of whom are mothers, the largest percentage of mothers is found among negroes, 78.81; then among whites, one parent foreign, 78.72; both parents foreign, 76.26; parents native, 73.97; foreign born, 70.58.

LENGTH OF RESIDENCE OF FOREIGN MALE INMATES OF ALMSHOUSES AND BENEVOLENT INSTITUTIONS.

The total number of foreign male inmates of almshouses (Table 227) and benevolent institutions (Table 299) is 30,114, of whom 30,014 are white and 100 are colored. The number who claim to have resided in this country less than 1 year is 132, or nearly two-thirds of 1 per cent. Of these, 114 are inmates of benevolent institutions and 18 are paupers in almshouses. The number who have resided in the country for 1 year and less than 2 years is 237, of whom 170 are inmates of benevolent institutions and 67 are paupers in almshouses; for 2 years, 343; for 3 years, 304; for 4 years, 275; for 5 years, 318; for 6 to 9 years, 1,247; and for 10 years and over, 17,971, or 86.29 per cent of all concerning whom this question has been answered.

I.—BY GEOGRAPHICAL DIVISIONS.

GEOGRAPHICAL DIVISIONS.	NUMBERS.										PERCENTAGES. (a)							
	Total.	Under 1 year.	1 year.	2 years.	3 years.	4 years.	5 years.	6 to 9 years. (b)	10 years and over.	Not stated.	Under 1 year.	1 year.	2 years.	3 years.	4 years.	5 years.	6 to 9 years.	10 years and over.
The United States.	30,114	132	237	343	304	275	318	1,247	17,971	9,287	0.63	1.14	1.65	1.46	1.32	1.52	5.99	86.29
North Atlantic	15,526	92	149	215	155	150	170	630	9,307	4,559	0.84	1.30	1.90	1.41	1.37	1.55	5.83	85.68
South Atlantic	988	4	11	9	12	7	12	41	677	215	0.52	1.42	1.17	1.55	0.81	1.55	5.30	87.58
North Central	10,086	10	44	82	79	74	93	403	5,370	3,925	0.26	0.72	1.33	1.28	1.20	1.51	6.54	87.15
South Central	1,087	2	4	3	9	4	7	33	814	211	0.23	0.46	0.34	1.03	0.46	0.89	3.76	92.02
Western	2,427	18	29	34	49	40	59	131	1,713	377	0.88	1.41	1.69	2.39	1.95	1.70	6.39	83.56

II.—BY ELEMENTS OF THE POPULATION.

COLOR.	NUMBERS.										PERCENTAGES. (a)							
	Total.	Under 1 year.	1 year.	2 years.	3 years.	4 years.	5 years.	6 to 9 years. (b)	10 years and over.	Not stated.	Under 1 year.	1 year.	2 years.	3 years.	4 years.	5 years.	6 to 9 years.	10 years and over.
Total	30,114	132	237	343	304	275	318	1,247	17,971	9,287	0.63	1.14	1.65	1.46	1.32	1.52	5.99	86.29
White	30,014	129	232	339	302	273	317	1,243	17,921	9,258	0.62	1.12	1.63	1.45	1.32	1.53	5.99	86.34
Colored	100	3	5	4	2	2	1	4	50	29	4.23	7.04	5.63	2.82	2.82	1.41	5.23	70.42

a The percentages are calculated on the total basis of 20,827 reported, omitting 9,287 not stated.

b This column includes paupers who have resided in the United States from 6 to 9 years and inmates of benevolent institutions who have so resided for 6 years.

ASSIGNED CAUSES OF PAUPERISM AND DEPENDENCE.

The inmates of almshouses and benevolent institutions number, in the aggregate, 184,955.

According to the figures here given, the question as to the cause of pauperism and dependence is not answered in 24,244 cases. Many inmates of charitable institutions fall under more than one of these subdivisions, and are so reported; thus the number of causes is more than 50 per cent greater than the number of inmates. The principal cause assigned is the want of any other home, 154,206 (79,685 male and 74,521 female). The next most common cause is age and infirmity, 29,884 (15,590 male and 14,294 female). Crippled comes next, 13,914 (9,100 male and 4,814 female). Crippled and deformed combined would give 17,376 (11,132 male and 6,244 female). Of the diseases specified in the list here given the most prevalent is rheumatism, 10,148 (6,128 male and 4,020 female); then paralysis, 4,910 (3,100 male and 1,810 female); epilepsy, 3,992 (2,322 male and 1,670 female); lying-in cases, 2,565; syphilis, 2,086 (1,144 male and 942 female); the number reported as bedridden is 2,942 (1,549 male and 1,393 female). The number of drunkards is 5,002 (3,218 male and 1,784 female); of tramps, 1,161 (834 male and 327 female).

CRIME, PAUPERISM, AND BENEVOLENCE.

I.—CAUSES, BY GEOGRAPHICAL DIVISIONS.

BOTH SEXES.

ASSIGNED CAUSES OF PAUPERISM AND DEPENDENCE.	NUMBERS. (a)						PERCENTAGES.				
	The United States.	Geographical divisions.					Geographical divisions.				
		North Atlantic.	South Atlantic.	North Central.	South Central.	Western.	North Atlantic.	South Atlantic.	North Central.	South Central.	Western.
Total.....	184,955	93,538	15,849	53,864	12,198	9,506	50.57	8.57	29.12	6.00	5.14
Tramps.....	1,161	282	103	529	187	60	24.20	8.87	45.56	16.11	5.17
Drunkards.....	5,002	3,168	199	1,326	136	173	63.33	3.98	26.51	2.72	3.40
Old and infirm.....	20,881	13,979	3,483	8,369	2,305	1,658	46.78	11.00	28.00	8.01	5.55
Bedridden.....	2,942	860	376	1,135	339	232	29.23	12.78	38.58	11.52	7.69
Deformed.....	3,462	1,408	440	1,248	272	94	40.67	12.71	36.05	7.85	2.72
Crippled.....	13,914	6,217	1,391	4,133	1,221	949	44.69	10.01	29.70	8.78	6.82
Epileptic.....	3,992	1,283	304	2,010	330	59	32.14	7.01	50.35	8.42	1.48
Paralytic.....	4,910	2,116	555	1,291	487	458	43.10	11.30	26.35	9.92	9.33
Syphilitic.....	2,086	772	290	681	226	117	37.01	13.90	32.65	10.83	5.61
Rheumatic.....	10,148	4,824	1,148	2,755	728	693	47.55	11.31	27.14	7.17	6.83
Lying-in cases.....	2,565	1,550	149	726	97	37	60.66	5.81	28.31	3.78	1.44
No other home.....	154,200	76,530	14,005	45,793	10,325	7,643	49.63	9.08	29.64	6.69	4.90
Miscellaneous.....	25,202	10,341	2,058	11,255	1,390	158	41.03	8.16	44.66	5.52	0.63
Not stated.....	24,244	10,614	1,364	6,149	1,439	1,678	50.15	5.63	25.36	5.94	0.92

MALE.

Total.....	95,986	48,269	6,864	20,207	5,527	6,119	50.29	7.15	30.43	5.76	6.37
Tramps.....	834	259	23	390	104	58	31.05	2.76	46.77	12.47	6.95
Drunkards.....	3,218	1,668	154	1,123	112	156	51.83	4.79	35.05	3.48	4.85
Old and infirm.....	15,500	6,509	1,585	5,010	1,188	1,307	41.69	10.17	32.14	7.62	8.38
Bedridden.....	1,549	417	149	631	166	180	26.92	9.62	40.73	10.72	12.61
Deformed.....	2,032	796	240	779	166	61	39.17	11.81	38.33	7.68	3.01
Crippled.....	9,100	3,939	839	2,725	737	800	43.95	9.22	29.04	8.10	8.79
Epileptic.....	2,322	661	146	1,307	162	46	28.47	6.29	56.29	6.97	1.98
Paralytic.....	3,100	1,247	339	823	296	305	40.23	10.93	26.55	9.55	12.74
Syphilitic.....	1,144	382	144	420	114	84	33.39	12.59	36.71	9.97	7.31
Rheumatic.....	6,128	2,688	570	1,895	404	571	43.87	9.30	30.92	6.59	6.32
No other home.....	79,685	39,869	6,168	24,876	4,406	4,866	49.40	7.74	31.22	5.53	6.11
Miscellaneous.....	12,070	4,828	920	5,643	570	109	40.00	7.62	46.75	4.72	0.91
Not stated.....	13,354	7,538	477	3,365	855	1,119	56.45	3.57	25.20	6.40	8.38

FEMALE.

Total.....	88,969	45,269	8,985	24,657	6,671	3,387	50.88	10.10	27.71	7.50	3.81
Tramps.....	927	23	80	139	83	2	7.03	24.47	42.51	25.33	0.61
Drunkards.....	1,784	1,500	45	193	24	17	84.08	2.52	11.10	1.35	0.95
Old and infirm.....	14,294	7,479	1,898	3,359	1,207	351	52.32	13.29	23.50	8.44	2.45
Bedridden.....	1,393	443	227	504	173	46	31.80	16.80	36.18	12.42	3.30
Deformed.....	1,430	612	200	469	116	33	42.80	13.99	32.80	8.11	2.30
Crippled.....	4,814	2,218	555	1,408	484	149	46.07	11.53	29.25	10.05	8.10
Epileptic.....	1,670	622	158	703	174	13	37.25	9.47	42.10	10.40	0.78
Paralytic.....	1,810	869	216	471	191	63	48.01	11.94	26.02	10.55	3.48
Syphilitic.....	942	390	146	281	112	33	41.40	15.50	27.71	11.89	3.50
Rheumatic.....	4,020	2,178	578	860	324	122	53.13	14.98	21.39	8.06	3.04
Lying-in cases.....	2,565	1,556	149	726	97	37	60.66	5.81	28.31	3.78	1.44
No other home.....	74,521	37,161	7,837	20,827	5,919	2,777	49.87	10.52	27.95	7.94	3.72
Miscellaneous.....	13,132	5,513	1,138	5,612	820	49	41.08	8.67	42.74	6.24	0.37
Not stated.....	10,890	6,076	887	2,784	584	559	55.79	8.15	25.57	5.36	5.13

a The total lines of this page and those of Tables 231, 232, 233, 303, 304, and 305, upon which the table here is based, represent persons. The figures in the lines against causes of pauperism and dependence will not agree with those for persons, since more than one cause affects the same person.

More than one-half of the inmates of almshouses and benevolent institutions are found in the North Atlantic division and more than one-quarter in the North Central. The North Atlantic division shows a relatively larger percentage of drunkards, the deformed and crippled, and of lying-in cases; the North Central division shows a relatively larger percentage of tramps, of the bedridden, the epileptic, the syphilitic, and the homeless; the percentage of epileptics in this division is 50.35, and of tramps 45.56. The percentage of drunkards in the South Central is relatively very small. There is a larger percentage of female tramps than of male in the South Atlantic and the South Central divisions, and of female drunkards in the North Atlantic division. In the North Central and Western divisions the percentage of epileptic men is higher than that of epileptic women; in the remaining divisions the reverse is true. In the Western division paralysis among men is nearly four times as prevalent as among women. Rheumatism among women is relatively less prevalent than among men in the North Central and Western divisions.

CRIME, PAUPERISM, AND BENEVOLENCE.

II.—CAUSES, BY ELEMENTS OF THE POPULATION.

NUMBERS (a)—BOTH SEXES.

COLOR, NATIVITY, AND RACE.	Total.	Tramps.	Drunkards.	Old and infirm.	Bed-ridden.	Deformed.	Crippled.	Epileptic.	Paralytic.	Syphilitic.	Rheumatic.	Lying-in cases.	No other home.	All other cases.	Not stated.
Total	184,955	1,181	5,002	29,884	2,942	2,462	13,914	3,992	4,910	2,086	10,148	2,565	154,206	25,202	24,244
White	173,414	1,090	4,886	27,381	2,586	3,130	12,571	3,601	4,397	1,765	9,142	2,388	144,140	23,468	23,159
Native born.....	112,920	570	1,791	11,000	1,355	2,086	6,605	2,548	2,396	1,073	3,809	1,044	95,502	13,581	14,665
Parents native.....	45,003	326	988	7,887	326	1,163	3,897	1,288	1,492	597	2,571	494	38,834	6,819	5,063
One parent foreign.....	6,005	19	99	371	52	68	221	64	86	45	145	54	4,810	172	1,040
Parents foreign.....	27,747	68	419	582	166	298	912	427	308	172	401	270	22,300	1,339	4,517
One or both parents unknown.....	34,171	157	315	2,250	311	557	1,575	769	510	259	692	217	29,552	5,251	4,045
Foreign born.....	53,970	461	3,025	15,819	1,144	936	5,606	979	1,908	657	5,220	635	43,778	8,460	7,703
Nativity unknown.....	6,518	59	70	482	87	108	300	134	98	35	113	700	4,860	1,427	791
Colored.....	11,541	71	116	2,493	356	332	1,343	331	513	321	1,006	177	10,066	1,734	1,035
Negroes.....	10,520	69	115	2,483	352	320	1,334	327	510	311	1,002	177	9,268	1,718	869
Chinese.....	54				2		2	1	2	6	1		44	5	5
Japanese.....	8												1		7
Indians.....	659	2	1	10	2	3	7	3	1	4	3		763	11	204

MALE.

Total	95,986	834	3,218	15,500	1,549	2,032	9,100	2,322	3,100	1,144	6,128		70,685	12,070	13,354
White	89,944	790	3,134	14,409	1,373	1,828	8,203	2,126	2,778	961	5,591		74,553	11,303	12,641
Native born.....	56,689	331	1,304	5,424	644	1,143	4,100	1,390	1,469	480	2,222		47,928	6,662	7,479
Parents native.....	22,606	178	822	3,754	401	672	2,430	693	930	278	1,475		19,495	3,243	2,530
One parent foreign.....	3,028	15	40	164	25	37	149	44	63	16	88		2,443	87	516
Parents foreign.....	13,459	42	230	283	90	136	562	247	180	83	240		10,797	768	2,313
One or both parents unknown.....	17,596	96	206	1,223	128	298	959	406	296	109	410		15,103	2,564	2,111
Foreign born.....	30,014	428	1,785	8,758	680	630	4,007	666	1,258	457	3,316		23,883	4,020	4,712
Nativity unknown.....	3,241	31	45	227	49	55	156	70	51	18	53		2,742	615	450
Colored.....	6,042	44	84	1,181	176	204	837	196	322	183	537		5,132	767	713
Negroes.....	5,461	44	83	1,176	173	203	834	194	320	176	534		4,721	758	549
Chinese.....	45				2		2	1	2	5	1		35	5	5
Japanese.....	8												1		7
Indians.....	528		1	5	1	1	1	1			2		375	4	152

FEMALE.

Total	88,069	327	1,784	14,294	1,393	1,430	4,814	1,670	1,810	942	4,020	2,565	74,521	13,132	10,890
White	83,470	300	1,752	12,982	1,213	1,302	4,308	1,535	1,619	804	3,551	2,388	69,587	12,165	10,518
Native born.....	56,237	239	487	5,666	711	943	2,505	1,158	927	587	1,587	1,044	47,574	6,910	7,186
Parents native.....	22,397	148	166	4,133	425	491	1,467	595	562	319	1,096	494	19,839	3,579	2,524
One parent foreign.....	2,977	4	23	207	27	31	72	20	23	29	57	54	2,373	85	524
Parents foreign.....	11,288	26	189	299	76	162	350	180	128	89	152	270	11,503	571	2,204
One or both parents unknown.....	16,575	61	109	1,027	183	259	616	363	214	150	282	217	14,359	2,687	1,934
Foreign born.....	23,956	33	1,240	7,061	464	306	1,659	313	645	200	1,904	635	19,895	4,434	2,991
Nativity unknown.....	3,277	28	25	255	38	53	144	64	47	17	60	709	2,118	812	341
Colored.....	5,499	27	32	1,312	180	128	506	135	191	138	469	177	4,034	967	372
Negroes.....	5,059	25	32	1,307	179	126	500	133	190	135	468	177	4,547	960	320
Chinese.....	9												9		
Indians.....	431	2		5	1	2	6	2	1	2	1		378	7	52

a The "total" lines of this page and those of Tables 231, 232, 233, 303, 304, and 305, upon which the table here is based, represent persons. The figures in the lines against causes of pauperism and dependence will not agree with those for persons, since more than one cause affects the same person.

INMATES OF ALL INSTITUTIONS.

PERCENTAGES—BOTH SEXES.

COLOR, NATIVITY, AND RACE.	Total.	Tramps.	Drunkards.	Old and infirm.	Bed-ridden.	Deformed.	Crippled.	Epileptic.	Paralytic.	Syphilitic.	Rheumatic.	Lying-in cases.	No other home.	All other cases.
Total	100.00	100.00	100.00	100.00	100.00	100.00	100.00	100.00	100.00	100.00	100.00	100.00	100.00	100.00
White	93.76	93.88	97.68	91.66	87.00	90.41	90.35	91.71	83.55	84.61	90.69	93.10	93.47	93.12
Native born	61.06	49.09	35.81	37.11	40.06	60.25	47.47	63.83	48.80	51.44	37.53	40.70	61.93	53.89
Parents native	24.33	28.08	19.75	26.39	28.08	33.59	28.01	32.27	30.39	28.62	25.34	19.26	25.18	27.06
One parent foreign	3.25	1.63	1.38	1.24	1.77	1.96	1.59	1.60	1.75	2.16	1.43	2.10	3.12	0.68
Parents foreign	15.00	5.86	8.38	1.95	5.64	8.61	6.55	10.70	6.27	8.24	3.94	10.88	14.46	5.31
One or both parents unknown	18.48	13.52	6.80	7.53	10.57	10.09	11.32	19.26	10.39	12.42	6.82	8.46	19.17	20.84
Foreign born	29.18	39.71	60.47	52.94	38.88	27.04	40.72	24.52	38.76	31.49	51.44	24.76	28.30	33.57
Nativity unknown	3.52	5.08	1.40	1.61	2.96	3.12	2.16	3.38	1.99	1.68	1.12	27.64	3.15	5.66
Colored	6.24	6.12	2.32	8.34	12.10	9.59	0.65	8.29	10.45	15.39	9.91	0.90	6.53	6.88
Negroes	5.09	5.95	2.80	8.31	11.96	9.50	0.59	8.19	10.39	14.91	9.87	0.60	6.01	6.82
Chinese	0.03				0.07		0.01	0.02	0.04	0.29	0.01		0.03	0.02
Japanese	0.00												0.00	
Indians	0.52	0.17	0.02	0.03	0.07	0.09	0.05	0.08	0.02	0.19	0.03		0.49	0.04

MALE.

Total	100.00	100.00	100.00	100.00	100.00	100.00	100.00	100.00	100.00	100.00	100.00	100.00	100.00	100.00
White	93.71	94.72	97.39	92.42	88.64	89.96	90.80	91.56	89.61	84.00	91.24		93.56	93.65
Native born	59.00	39.69	40.52	34.73	41.58	56.25	45.06	59.87	47.39	42.48	30.27		60.15	55.19
Parents native	23.55	21.34	25.54	24.08	25.89	33.07	26.70	29.85	30.00	24.30	24.07		24.46	26.87
One parent foreign	3.16	1.80	1.43	1.05	1.02	1.82	1.64	1.89	2.03	1.40	1.44		3.07	0.72
Parents foreign	14.02	5.04	7.15	1.81	5.81	6.69	6.18	10.64	5.81	7.25	4.07		13.55	6.30
One or both parents unknown	18.33	11.51	6.40	7.84	8.26	14.07	10.54	17.40	9.55	9.53	6.69		19.07	21.24
Foreign born	31.27	51.32	55.47	56.18	49.90	31.00	44.03	28.68	40.58	39.95	54.11		29.97	33.36
Nativity unknown	3.38	3.71	1.40	1.46	3.16	2.71	1.71	3.01	1.64	1.57	0.80		3.44	5.10
Colored	6.29	5.28	2.61	7.58	11.36	10.04	9.20	8.44	10.39	16.00	8.76		6.44	6.35
Negroes	5.69	5.23	2.58	7.55	11.17	9.09	9.17	8.39	10.32	15.38	8.71		5.93	6.28
Chinese	0.04				0.13		0.02	0.04	0.07	0.44	0.02		0.04	0.04
Japanese	0.01												0.00	
Indians	0.55		0.03	0.03	0.08	0.05	0.01	0.04		0.18	0.03		0.47	0.03

FEMALE.

Total	100.00	100.00	100.00	100.00	100.00	100.00	100.00	100.00	100.00	100.00	100.00	100.00	100.00	100.00
White	93.82	91.74	98.21	90.82	87.07	91.05	89.49	91.02	89.45	85.35	88.33	93.10	93.88	92.64
Native born	63.21	73.09	27.30	39.04	51.03	65.04	52.04	69.35	51.22	62.31	39.48	40.70	63.84	52.09
Parents native	25.17	45.26	9.31	28.91	30.51	34.33	30.47	35.63	31.05	33.80	27.27	19.26	25.95	27.23
One parent foreign	3.35	1.22	1.29	1.45	1.94	2.17	1.50	1.20	1.27	3.08	1.42	2.10	3.18	0.65
Parents foreign	16.06	7.96	10.59	2.10	5.45	11.33	7.27	10.78	7.07	9.45	3.78	10.88	15.44	4.35
One or both parents unknown	18.03	18.65	6.11	7.18	13.13	18.11	12.80	21.74	11.83	15.92	7.01	8.46	19.27	20.46
Foreign born	26.93	10.09	69.51	49.40	33.31	21.40	34.46	18.74	35.63	21.23	47.36	24.76	26.70	33.77
Nativity unknown	3.68	8.56	1.40	1.78	2.73	3.71	2.99	3.83	2.60	1.81	1.40	27.64	2.84	6.18
Colored	6.18	8.26	1.79	9.18	12.93	8.95	10.51	8.08	10.55	14.65	11.67	6.90	6.62	7.36
Negroes	5.69	7.05	1.79	9.14	12.85	8.81	10.39	7.96	10.50	14.33	11.64	6.90	6.10	7.30
Chinese	0.01									0.11			0.02	
Indians	0.48	0.61		0.04	0.08	0.14	0.12	0.12	0.05	0.21	0.03		0.50	0.06

a Less than five-thousandths of 1 per cent.

The only percentages of whites which are above the average are those of tramps and drunkards. In all the columns except those for tramps and drunkards the percentages of colored exceed the average for the total colored.

The numbers of tramps, of drunkards, of the old and infirm, and of the victims of diseases of age or self-indulgence among the foreign born are very much above the average for that element of the population.

MODE OF SUPPORT IN INSTITUTIONS.

The question as to the fund from which the support of inmates of institutions is defrayed is answered in 181,507 cases out of 184,955.

The number supported at the expense of the state is 10,689 (6,077 male and 4,612 female); at the expense of the county, 67,105 (38,264 male and 28,841 female); at the expense of the city or town, 33,775 (17,679 male and 16,096 female); at the expense of friends, 11,349 (5,120 male and 6,229 female); at the expense of the institution, 59,766 (27,884 male and 31,882 female).

The bulk of those supported, as it is claimed, by the institution are the recipients of private charity.

If there is any error in these figures, they are too high; but taking them as they stand, private charity cares for 59,766 inmates of institutions, while public charity cares for 111,569. In other words, nearly two-thirds of the institutional relief given in the United States is at the expense of state and municipal treasuries.

INMATES OF ALL INSTITUTIONS.

109

The following summary shows the distribution, by sex, color, nativity, and race:

BOTH SEXES.

COLOR, NATIVITY, AND RACE.	NUMBERS.							PERCENTAGES. (a)					
	Total.	State.	County.	Town.	Friends.	Institu- tions.	Not stated.	Total.	State.	County.	Town.	Friends.	Institu- tions.
Total	184,955	10,689	67,105	33,775	11,349	59,766	3,448	100.00	100.00	100.00	100.00	100.00	100.00
White	173,414	9,937	60,896	31,824	11,044	57,480	3,347	93.76	92.96	90.75	94.22	67.31	96.18
Native born.....	112,920	7,324	37,088	20,137	8,496	38,405	2,142	61.00	63.51	55.27	59.02	74.86	64.20
Parents native.....	45,003	1,030	19,432	7,418	2,994	12,991	707	24.33	18.05	23.90	21.90	26.38	21.73
One parent foreign.....	6,005	297	1,108	1,050	700	2,088	181	3.25	2.78	1.65	3.11	6.17	4.50
Parents foreign.....	27,747	1,402	4,392	6,178	2,030	12,399	803	15.00	13.11	0.55	18.29	23.23	20.75
One or both parents unknown...	34,171	3,695	12,150	5,401	2,106	10,327	449	18.48	34.57	18.11	16.26	19.08	17.28
Foreign born.....	53,970	2,084	21,496	10,978	2,118	16,715	1,001	20.18	19.50	32.03	32.50	18.66	27.97
Nativity unknown.....	6,518	529	2,312	709	430	2,300	204	3.52	4.05	3.45	2.10	3.79	3.05
Colored	11,541	752	6,209	1,951	305	2,286	101	6.24	7.04	9.25	5.78	2.09	3.82
Negroes.....	10,520	431	6,139	1,926	294	1,760	92	5.60	4.03	9.15	5.70	2.59	2.84
Chinese.....	54	1	28	11	5	9	5	0.03	0.01	0.04	0.04	0.05	0.02
Japanese.....	8	1				2		0.00	0.01				
Indians.....	959	319	42	14	6	575	4	0.52	2.99	0.06	0.04	0.05	0.96

MALE.

Total	95,986	6,077	38,264	17,679	5,120	27,884	1,614	100.00	100.00	100.00	100.00	100.00	100.00
White	89,044	5,504	34,933	16,717	4,971	26,005	1,536	93.71	90.57	91.29	94.56	97.09	96.49
Native born.....	50,689	3,825	20,051	10,484	3,801	17,054	914	59.06	62.91	52.40	59.30	74.24	64.39
Parents native.....	22,608	989	10,195	4,116	1,266	5,000	296	23.55	16.27	26.65	23.23	24.73	21.41
One parent foreign.....	3,028	140	636	403	297	1,419	54	3.16	2.30	1.66	2.78	5.80	5.00
Parents foreign.....	13,450	577	2,610	2,018	1,215	5,862	307	14.02	9.50	0.84	16.51	23.73	21.02
One or both parents unknown...	17,506	2,119	6,601	2,958	1,023	4,704	257	18.33	34.87	17.25	16.73	19.98	16.87
Foreign born.....	30,014	1,280	13,769	5,939	933	7,881	481	31.27	21.06	35.98	33.60	18.22	28.26
Nativity unknown.....	3,241	369	1,113	294	237	1,070	141	3.38	6.57	2.91	1.60	4.63	3.84
Colored	6,042	573	3,331	903	149	979	78	6.20	0.43	8.71	5.44	2.91	3.51
Negroes.....	5,461	323	3,291	946	144	717	70	5.60	5.31	8.69	5.95	2.81	2.57
Chinese.....	45	1	22	11	2	9		0.04	0.02	0.00	0.00	0.04	0.03
Japanese.....	8	1				2		0.01	0.02				0.01
Indians.....	528	248	18	5	3	251	3	0.55	4.08	0.05	0.03	0.06	0.90

FEMALE.

Total	88,960	4,612	28,841	16,096	6,229	31,882	1,834	100.00	100.00	100.00	100.00	100.00	100.00
White	83,470	4,433	25,963	15,107	6,073	30,575	1,811	93.82	96.12	90.02	93.80	97.50	95.90
Native born.....	50,237	3,499	17,037	9,653	4,695	20,451	1,228	63.21	75.87	50.07	59.98	75.37	64.14
Parents native.....	22,397	941	9,237	3,302	1,728	7,022	411	25.17	20.40	32.03	20.51	27.74	22.02
One parent foreign.....	2,977	157	472	558	403	1,209	127	3.35	3.41	1.63	3.47	6.47	3.98
Parents foreign.....	14,288	825	1,773	3,260	1,421	6,537	498	16.06	17.89	6.15	20.26	22.81	20.50
One or both parents unknown...	16,575	1,576	5,555	2,533	1,143	5,023	192	18.63	34.17	19.26	15.74	18.35	17.64
Foreign born.....	23,956	804	7,727	5,039	1,185	8,834	520	26.93	17.43	26.79	31.80	19.03	27.71
Nativity unknown.....	3,277	130	1,199	415	193	1,290	63	3.68	2.82	4.16	2.58	3.10	4.05
Colored	5,490	179	2,878	989	156	1,307	23	6.18	3.88	9.98	6.14	2.50	4.10
Negroes.....	5,050	108	2,848	980	150	983	22	5.69	2.34	9.88	6.09	2.40	3.08
Chinese.....	9		6		3			0.01		0.02		0.05	
Indians.....	431	71	24	9	3	324	1	0.48	1.54	0.06	0.05	0.05	1.02

a The percentages are calculated on the total basis of 181,507 reported, omitting 3,448 not stated.
 b Less than five-thousandths of 1 per cent.

Relatively speaking, more is done by private charity for white inmates of institutions than by public charity for the colored. The state does much more for colored men than for colored women; the counties and towns do slightly more for colored women than for colored men. Private institutional charity is more freely extended to colored women than to colored men, but where their support in the institution is paid for by friends, colored men receive more benefit than colored women.

If comparison is made between the foreign whites and native whites with native parents, in this regard, the only column in which the percentage for the foreign born is not in excess is that which represents support by friends. This is not true, however, to the same extent for women as for men.

RELATIVES IN THE INSTITUTION.

The question as to relatives in the institution is answered in 45,818 cases and unanswered in 139,137. Any conclusions drawn from the figures as given are more or less uncertain.

The percentages are calculated on the basis (for the United States) of 45,818, omitting 139,137 not stated.

I.—BY GEOGRAPHICAL DIVISIONS.

BOTH SEXES.

RELATIVES IN INSTITUTION.	The United States.	GEOGRAPHICAL DIVISIONS.				
		North Atlantic.	South Atlantic.	North Central.	South Central.	Western.
Total	100.00	100.00	100.00	100.00	100.00	100.00
Relatives	91.32	86.11	89.67	99.18	99.97	100.00
Norelatives	8.68	13.89	10.33	0.82	0.03
MALE.						
Total	100.00	100.00	100.00	100.00	100.00	100.00
Relatives	90.97	85.60	80.66	99.19	100.00	100.00
Norelatives	9.03	14.40	19.34	0.81
FEMALE.						
Total	100.00	100.00	100.00	100.00	100.00	100.00
Relatives	91.65	88.61	89.72	99.17	99.94	100.00
Norelatives	8.35	11.39	10.28	0.83	0.06

From the foregoing statement it would appear that the tendency to take families into institutions is more pronounced in the west than in the east.

II.—RELATIVES, BY ELEMENTS OF THE POPULATION.
BOTH SEXES.

RELATIVES IN INSTITUTION.	Aggre- gate.	WHITE.							COLORED.			
		Total.	Native born.				Foreign born.	Nativity un- known.	Total.	Negroes.	Chinese.	Indians.
			Parents native.	One parent foreign.	Parents foreign.	One or both parents unknown.						
Total.....	100.00	100.00	150.00	100.00	100.00	100.00	100.00	100.00	100.00	100.00	100.00	100.00
Relatives.....	91.32	91.15	94.15	98.51	97.35	94.81	66.40	87.74	95.13	94.52	100.00	99.59
No relatives.....	8.68	8.85	5.85	1.49	2.65	5.19	33.60	12.26	4.87	5.48	0.41

MALE.

Total.....	100.00	100.00	100.00	100.00	100.00	100.00	100.00	100.00	100.00	100.00	100.00	100.00
Relatives.....	90.97	90.83	93.54	98.09	97.92	95.10	61.57	89.80	93.88	92.58	100.00	99.22
No relatives.....	9.03	9.17	6.46	1.91	2.08	4.90	38.43	10.20	6.12	7.02	0.78

FEMALE.

Total.....	100.00	100.00	100.00	100.00	100.00	100.00	100.00	100.00	100.00	100.00	100.00	100.00
Relatives.....	91.65	91.44	94.71	98.33	96.83	94.51	70.48	85.56	96.49	96.00	100.00	100.00
No relatives.....	8.35	8.56	5.29	1.67	3.17	5.49	29.52	14.44	3.51	4.00

From the foregoing statement it would seem that more native white and colored families are received into institutions than foreign white.

CHILDREN UNDER INSTRUCTION IN THE INSTITUTION OR IN THE PUBLIC SCHOOLS.

Of the 73,882 children under 16 years of age (39,808 boys and 34,074 girls), the number under instruction in the institution or in the public schools is 20,255 (11,421 boys and 8,834 girls); of whom 14,074 (7,913 boys and 6,161 girls) are taught in the almshouses or benevolent institutions, and 6,181 (3,508 boys and 2,673 girls) receive instruction in the public schools. The number not taught in either is 53,627 (28,387 boys and 25,240 girls). Of the latter number, 15,393 are under 6 years of age, leaving a remainder of 38,234 who are of school age but are not taught in the schools named.

In Table 293 the number attending school is said to be 58,879. The explanation of this apparent discrepancy is that the latter figure includes inmates of institutions attending school who are over 16 years of age, and no return was made as to those attending private schools.

The first summary shows percentages only.

I.—BY GEOGRAPHICAL DIVISIONS.

BOTH SEXES.

TAUGHT AND NOT TAUGHT IN MODES NAMED.	The United States.	GEOGRAPHICAL DIVISIONS.				
		North Atlantic.	South Atlantic.	North Central.	South Central.	Western.
Total	100.00	100.00	100.00	100.00	100.00	100.00
Taught in institution	19.05	7.88	68.08	32.76	8.47	14.62
Taught in public school	8.37	7.42	5.61	6.39	9.95	14.28
Not taught in either	72.58	84.72	26.31	57.85	81.58	71.10
MALE.						
Total	100.00	100.00	100.00	100.00	100.00	100.00
Taught in institution	19.88	4.21	63.97	49.31	4.83	7.77
Taught in public school	8.81	7.37	6.42	10.33	11.43	16.21
Not taught in either	71.31	88.42	29.61	40.36	83.74	76.02
FEMALE.						
Total	100.00	100.00	100.00	100.00	100.00	100.00
Taught in institution	18.08	12.50	71.32	12.23	11.31	21.75
Taught in public school	7.85	7.47	4.96	8.22	8.79	12.27
Not taught in either	74.07	80.03	23.72	79.55	79.90	65.98

The smallest percentage of untaught in either mode specified and the largest percentage of those taught in the institution are found in the South Atlantic division. The largest percentage of the untaught in either mode specified is in the North Atlantic division.

INMATES OF ALL INSTITUTIONS.

II.—CHILDREN UNDER INSTRUCTION, BY ELEMENTS OF THE POPULATION.

BOTH SEXES.

COLOR, NATIVITY, AND RACE.	NUMBERS.			PERCENTAGES.			
	Total.	Taught in institution.	Taught in public school.	Not taught in either.	Taught in institution.	Taught in public school.	Not taught in either.
Total	73,882	14,074	6,181	53,627	19.05	8.37	72.58
White	70,124	13,093	5,969	51,062	18.67	8.51	72.82
Native born.....	61,678	11,599	5,093	44,986	18.80	8.26	72.94
Parents native.....	17,007	3,446	1,913	11,708	20.19	11.21	68.60
One parent foreign.....	4,045	551	317	3,177	13.62	7.84	78.54
Parents foreign.....	18,944	2,606	1,109	16,139	14.23	5.86	79.01
One or both parents unknown.....	21,622	4,906	1,754	14,962	22.60	8.11	69.20
Foreign born.....	5,010	452	588	3,970	9.02	11.74	79.24
Nativity unknown.....	3,436	1,042	288	2,106	30.88	8.38	61.20
Colored	3,758	981	212	2,565	26.10	5.64	68.26
Negroes	3,200	808	207	2,185	25.25	6.47	68.28
Chinese.....	32	1	4	27	3.13	12.50	84.37
Japanese.....	1	1	1	1	100.00
Indians.....	525	171	1	353	32.57	0.19	67.24
MALE.							
Total	39,808	7,913	3,593	28,387	19.88	8.81	71.31
White	37,709	7,692	3,382	26,645	20.37	8.97	70.66
Native born.....	33,205	7,223	2,870	23,112	21.75	8.64	69.61
Parents native.....	9,524	1,952	1,052	6,520	20.49	11.65	68.46
One parent foreign.....	2,297	313	151	1,743	14.18	8.84	78.98
Parents foreign.....	9,701	1,589	598	7,574	16.28	6.19	77.59
One or both parents unknown.....	11,713	3,369	1,069	7,275	28.76	9.13	62.11
Foreign born.....	2,661	176	337	2,148	6.61	12.67	80.72
Nativity unknown.....	1,843	283	175	1,365	15.36	9.49	75.15
Colored	2,009	231	126	1,742	11.01	6.03	82.99
Negroes	1,784	194	122	1,468	10.87	6.84	82.20
Chinese.....	24	4	20	16.67	83.83
Japanese.....	1	1	1	1	100.00
Indians.....	299	36	254	12.41	87.50
FEMALE.							
Total	34,074	6,161	2,678	25,240	18.08	7.85	74.07
White	32,415	5,411	2,587	24,417	16.60	7.98	75.38
Native born.....	28,473	4,376	2,223	21,874	15.37	7.81	76.82
Parents native.....	7,543	1,494	861	5,188	19.81	11.41	68.78
One parent foreign.....	1,838	238	100	1,434	12.95	9.03	78.02
Parents foreign.....	8,183	1,107	511	7,565	12.06	5.56	82.38
One or both parents unknown.....	9,909	1,537	685	7,687	15.51	6.91	77.58
Foreign born.....	2,349	276	251	1,822	11.75	10.69	77.56
Nativity unknown.....	1,593	759	113	721	47.65	7.09	45.26
Colored	1,659	750	86	823	45.21	5.18	49.61
Negroes	1,416	614	85	717	43.36	6.09	50.04
Chinese.....	8	1	7	12.50	87.50
Indians.....	235	135	1	99	57.45	0.42	42.13

CRIME, PAUPERISM, AND BENEVOLENCE.

CHILDREN ABANDONED BY THEIR PARENTS.

Of children under 16 years of age, the question whether they had been abandoned (a) by their parents or not is unanswered in 60,700 cases. Of the remaining 13,182 (7,052 boys and 6,130 girls), the number said to have been abandoned is 12,460 (6,889 boys and 5,571 girls); not abandoned, 722 (163 boys and 559 girls).

It is impossible to say whether the majority of the unanswered questions are to be taken in an affirmative or in a negative sense.

ILLEGITIMATE CHILDREN.

Of children under 16 years of age, the question as to legitimacy is answered in 6,196 cases and unanswered in 67,686. It is evidently impossible to draw any conclusions from these figures. The number reported as illegitimate is 5,826 (3,198 boys and 2,628 girls). Of these, 1,899 are found in almshouses and 3,927 in benevolent institutions.

CHILDREN BORN IN THE INSTITUTION.

The question as to birth in the institution is unanswered in 64,591 cases out of 73,882. Of the 9,291 answers given, 2,385 are affirmative and 6,906 are negative.

The returns are so scanty that general conclusions can not be based upon them.

ABLE-BODIED.

No precise instruction was given to the enumerators as to the meaning of the word "able-bodied", and the result seems to have been that they understood it in different senses.

This question is unanswered in 82,139 cases (44,298 male and 37,841 female). Of the remaining 102,816, the number reported as able-bodied is 96,496 (48,206 male and 48,290 female); not able-bodied, 6,320 (3,482 male and 2,838 female).

The number of the not stated is so great, as is also the uncertainty as to the interpretation given to this word by the enumerators, that the results of this inquiry are comparatively valueless.

The percentage of the able-bodied among inmates of benevolent institutions is greater than in almshouses, because the former include a younger and healthier population than the latter, but the percentage of the strictly able-bodied can not be what it appears to be from the figures given.

The first summary shows percentages only. The percentages are calculated on the basis (for the United States) of 102,816, omitting 82,139 not stated.

I.—BY GEOGRAPHICAL DIVISIONS.

BOTH SEXES.

BODILY CONDITION.	The United States.	GEOGRAPHICAL DIVISIONS.				
		North Atlantic.	South Atlantic.	North Central.	South Central.	Western.
Total	100.00	100.00	100.00	100.00	100.00	100.00
Able-bodied	95.85	91.88	90.59	96.41	97.56	98.50
Not able-bodied	6.15	8.62	3.41	3.59	2.44	1.50
MALE.						
Total	100.00	100.00	100.00	100.00	100.00	100.00
Able-bodied	93.26	91.10	97.34	95.68	94.16	97.70
Not able-bodied	6.74	8.90	2.66	4.32	5.84	2.30
FEMALE.						
Total	100.00	100.00	100.00	100.00	100.00	100.00
Able-bodied	94.45	91.69	96.01	97.17	99.71	99.33
Not able-bodied	5.55	8.31	3.99	2.83	0.29	0.67

The percentage of the able-bodied is much larger among female than among male inmates. It is largest in the Western division and smallest in the North Atlantic.

a It is possible that some enumerators understood the term "abandoned" to indicate the legal relinquishment by parents or guardians of their claims to children, which it was intended should be covered by the term "surrendered". The difference in meaning between these words was, however, clearly explained in the instructions to the enumerators.

INMATES OF ALL INSTITUTIONS.

II.—BODILY CONDITION, BY ELEMENTS OF THE POPULATION.

BOTH SEXES.

COLOR, NATIVITY, AND RACE.	NUMBERS.				PERCENTAGES. (a)	
	Total.	Able-bodied.	Not able-bodied.	Not stated.	Able-bodied.	Not able-bodied.
Total	184,955	96,496	6,320	82,139	93.85	6.15
White	173,414	91,773	6,085	75,556	93.78	6.22
Native born.....	112,926	67,497	2,723	42,706	96.12	3.88
Parents native.....	45,003	23,171	1,636	20,196	93.41	6.59
One parent foreign.....	6,005	4,011	70	1,924	98.28	1.72
Parents foreign.....	27,747	13,913	343	8,491	98.22	1.78
One or both parents unknown.....	34,171	21,402	674	12,095	96.95	3.05
Foreign born.....	53,970	20,237	3,170	30,563	86.40	13.54
Nativity unknown.....	6,518	4,039	192	2,287	95.40	4.54
Colored	11,541	4,723	235	6,583	95.20	4.74
Negroes.....	10,520	3,783	234	6,503	94.17	5.83
Chinese.....	54	17		37	100.00	
Japanese.....	8	3		5	100.00	
Indians.....	959	920	1	38	99.80	0.11
MALE.						
Total	95,986	48,206	3,482	44,298	93.26	6.74
White	89,044	45,607	3,348	40,969	93.16	6.84
Native born.....	56,680	33,313	1,509	21,867	95.67	4.33
Parents native.....	22,006	11,369	918	10,259	92.55	7.45
One parent foreign.....	3,028	2,033	32	903	98.45	1.55
Parents foreign.....	13,450	9,118	204	4,137	97.81	2.19
One or both parents unknown.....	17,596	10,703	355	6,478	96.81	3.19
Foreign born.....	30,014	10,361	1,728	17,925	85.71	14.29
Nativity unknown.....	3,241	1,933	111	1,107	94.57	5.43
Colored.....	6,942	2,599	134	3,309	95.10	4.90
Negroes.....	5,401	2,080	133	3,248	93.99	6.01
Chinese.....	45	12		33	100.00	
Japanese.....	8	3		5	100.00	
Indians.....	528	504	1	23	99.80	0.20
FEMALE.						
Total	88,909	48,290	2,838	37,841	94.45	5.55
White	83,470	46,166	2,727	34,567	94.40	5.60
Native born.....	56,237	34,184	1,214	20,839	96.57	3.43
Parents native.....	22,397	11,772	718	9,907	94.25	5.75
One parent foreign.....	2,977	1,978	38	961	98.12	1.88
Parents foreign.....	14,288	9,795	130	4,354	98.60	1.40
One or both parents unknown.....	16,575	10,639	319	5,617	97.09	2.91
Foreign born.....	23,956	9,876	1,442	12,638	87.26	12.74
Nativity unknown.....	3,277	2,106	81	1,090	96.30	3.70
Colored.....	5,499	2,124	101	3,274	95.46	4.54
Negroes.....	5,059	1,703	101	3,255	94.40	5.60
Chinese.....	9	5		4	100.00	
Indians.....	431	416		15	100.00	

a The percentages are calculated on the total basis of 102,816 reported, omitting 82,139 not stated.

All of the Chinese and Japanese are reported as able-bodied, and all but 1 of the Indians. Of the negroes, 94.17 per cent are said to be able-bodied; of the whites, omitting those whose nativity or parentage is unknown, the smallest percentage of the able-bodied is among the foreign born.

ORPHAN CHILDREN IN INSTITUTIONS.

The question as to living parents is unanswered in regard to 8,326 children under 16 years of age in almshouses and benevolent institutions (4,447 boys and 3,879 girls). Of the remaining 65,556 (35,361 boys and 30,195 girls), the number with both parents living is 14,320 (7,625 boys and 6,695 girls); with a living father, 14,939 (7,767 boys and 7,172 girls); with a living mother, 21,482 (12,187 boys and 9,295 girls); 14,815 (7,782 boys and 7,033 girls) are orphans. The number of half orphans is about twice and a half that of orphans; of the half orphans three-fifths have lost their father and two-fifths their mother.

Those reported in these four classes of children are divided between the almshouses and the benevolent institutions, as follows:

INSTITUTIONS.	NUMBERS.					PERCENTAGES.				
	Total.	Both parents living.	Father living.	Mother living.	Orphans.	Total.	Both parents living.	Father living.	Mother living.	Orphans.
Total.....	65,556	14,320	14,939	21,482	14,815	100.00	100.00	100.00	100.00	100.00
Almshouses.....	4,683	2,132	476	1,535	540	7.14	14.89	3.19	7.15	3.64
Benevolent institutions.....	60,873	12,188	14,463	19,947	14,275	92.86	85.11	96.81	92.85	96.36

This statement illustrates the extent to which the movement to take children out of almshouses has succeeded. The number of children under 16 years of age in almshouses to that in benevolent institutions is approximately as 1 to 13.

The percentage of orphans in almshouses is less than that of children with living parents, and of the half orphans the largest percentage is found in almshouses where the child has a living mother.

The first summary shows percentages only. The percentages are calculated on the basis (for the United States) of 65,556, omitting 8,326 not stated.

I.—BY GEOGRAPHICAL DIVISIONS.

BOTH SEXES.

CONDITION AS TO ORPHANAGE.	The United States.	GEOGRAPHICAL DIVISIONS.				
		North Atlantic.	South Atlantic.	North Central.	South Central.	Western.
Total.....	100.00	100.00	100.00	100.00	100.00	100.00
Both parents living.....	21.84	23.47	18.29	23.80	11.07	13.53
Father living.....	22.79	21.53	17.71	26.00	17.53	20.23
Mother living.....	32.77	34.94	36.01	30.29	26.75	24.78
Orphans.....	22.60	20.06	27.99	19.01	44.65	32.41
MALE.						
Total.....	100.00	100.00	100.00	100.00	100.00	100.00
Both parents living.....	21.56	22.02	19.00	23.09	11.89	10.10
Father living.....	21.97	20.81	15.91	26.00	17.77	25.76
Mother living.....	34.46	37.54	36.46	31.44	28.63	21.47
Orphans.....	22.01	19.23	28.03	18.57	41.71	42.67
FEMALE.						
Total.....	100.00	100.00	100.00	100.00	100.00	100.00
Both parents living.....	22.17	24.53	17.24	23.57	10.39	17.08
Father living.....	23.75	22.43	19.16	28.04	17.33	32.74
Mother living.....	30.79	31.93	35.64	28.82	25.18	28.13
Orphans.....	23.29	21.11	27.96	19.57	47.10	22.05

The largest percentage of children with parents living is in the North Central division; of children with a living father, in the Western; of children with a living mother, in the South Atlantic; of orphans, in the South Central.

INMATES OF ALL INSTITUTIONS.

117

II.—ORPHANAGE, BY ELEMENTS OF THE POPULATION.

BOTH SEXES.

COLOR, NATIVITY, AND RACE.	NUMBERS.						PERCENTAGES. (a)			
	Total.	Both parents living.	Father living.	Mother living.	Orphans.	Not stated.	Both parents living.	Father living.	Mother living.	Orphans.
Total	73,882	14,320	14,939	21,482	14,815	8,326	21.84	22.79	32.77	22.60
White	70,124	13,520	14,470	20,526	14,054	7,554	21.61	23.13	32.80	22.46
Native born.....	61,678	11,957	12,612	18,457	12,389	6,263	21.58	22.76	33.31	22.35
Parents native.....	17,067	4,113	3,072	5,535	2,882	1,465	26.36	19.69	35.48	18.47
One parent foreign.....	4,045	1,040	821	1,286	667	231	27.27	21.52	33.72	17.49
Parents foreign.....	18,944	3,390	4,573	5,448	4,374	1,159	19.06	25.71	30.63	24.60
One or both parents unknown.....	21,622	3,414	4,146	6,188	4,406	3,408	18.74	22.76	33.98	24.52
Foreign born	5,010	1,080	1,256	1,460	813	401	23.43	27.25	31.68	17.64
Nativity unknown.....	3,436	483	602	609	852	890	18.97	23.65	23.92	33.46
Colored	3,758	800	469	956	761	772	26.79	15.71	32.02	25.48
Negroes.....	3,200	599	388	881	703	629	23.30	15.09	34.27	27.34
Chinese.....	32	7	10	10	1	4	25.00	35.71	35.71	3.58
Japanese.....	1	1	100.00
Indians.....	525	194	70	65	57	139	50.26	18.13	10.84	14.77

MALE.

Total	30,808	7,625	7,767	12,187	7,782	4,447	21.56	21.97	34.46	22.01
White	37,709	7,207	7,496	11,584	7,352	4,070	21.42	22.28	34.44	21.86
Native born.....	33,205	6,391	6,536	10,430	6,509	3,249	21.33	21.82	34.82	22.03
Parents native.....	9,524	2,297	1,635	3,358	1,594	640	25.86	18.40	37.80	17.94
One parent foreign.....	2,207	537	894	817	388	71	25.14	18.45	38.25	18.16
Parents foreign.....	9,761	1,660	2,299	3,032	2,213	557	18.04	24.98	32.94	24.04
One or both parents unknown.....	11,713	1,897	2,208	3,223	2,404	1,981	19.49	22.69	33.12	24.70
Foreign born	2,661	589	623	799	440	211	24.04	25.99	32.61	17.96
Nativity unknown.....	1,843	227	338	355	313	610	18.41	27.41	28.79	25.39
Colored	2,099	418	271	603	430	377	24.27	15.74	35.02	24.97
Negroes.....	1,784	323	228	540	391	293	21.66	15.29	36.82	26.23
Chinese.....	24	5	7	8	1	3	23.81	33.33	38.10	4.76
Japanese.....	1	1	100.00
Indians.....	290	90	35	40	38	81	43.06	16.75	22.01	18.18

FEMALE.

Total	34,074	6,695	7,172	9,295	7,093	3,879	22.17	23.75	30.79	23.29
White	32,415	6,313	6,974	8,942	6,702	3,484	21.82	24.11	30.91	23.10
Native born.....	28,473	5,566	6,076	8,027	5,790	3,014	21.80	23.87	31.53	22.74
Parents native.....	7,543	1,816	1,437	2,177	1,288	825	27.03	21.39	32.41	19.17
One parent foreign.....	1,838	503	427	469	279	160	29.97	25.45	27.95	16.63
Parents foreign.....	9,183	1,730	2,274	2,416	2,161	602	2.16	26.50	28.16	25.18
One or both parents unknown.....	9,909	1,517	1,938	2,965	2,062	1,427	17.88	22.85	34.96	24.31
Foreign born	2,349	491	634	601	373	190	22.74	29.36	30.62	17.28
Nativity unknown.....	1,693	256	284	254	539	280	19.50	20.11	19.34	41.05
Colored	1,659	382	198	353	331	395	30.22	15.66	27.93	26.19
Negroes.....	1,416	276	160	332	312	336	25.66	14.81	30.74	28.89
Chinese.....	8	2	3	2	1	28.57	42.80	28.57
Indians.....	235	104	35	19	19	58	53.76	19.77	10.74	10.73

a The percentages are calculated on the total basis of 65,556 reported, omitting 8,326 not stated.

CHILDREN SURRENDERED.

Of children under 16 years of age, the question as to their surrender (a) by their parents to the authorities in charge of almshouses and benevolent institutions is answered in 35,589 cases and unanswered in 38,293. The number reported to have been surrendered is 35,027 (20,120 boys and 14,907 girls); not surrendered, 562 (78 boys and 484 girls). These partial figures seem to show a greater reluctance to surrender daughters than to surrender sons. The attachment of parents to their female children, or the sense of responsibility for their care, seems to exceed that felt in the case of boys. It is probable that the proportion of children surrendered is larger than these figures would show.

The first summary shows percentages only. The percentages are calculated on the basis (for the United States) of 35,589, omitting 38,293 not stated.

I.—BY GEOGRAPHICAL DIVISIONS.

BOTH SEXES.

CONDITION AS TO SURRENDER.	The United States.	GEOGRAPHICAL DIVISIONS.				
		North Atlantic.	South Atlantic.	North Central.	South Central.	Western.
Total	100.00	100.00	100.00	100.00	100.00	100.00
Surrendered	98.42	97.52	97.78	99.82	100.00	100.00
Not surrendered	1.58	2.48	2.22	0.18
MALE.						
Total	100.00	100.00	100.00	100.00	100.00	100.00
Surrendered	99.61	99.79	96.99	99.91	100.00	100.00
Not surrendered	0.39	0.21	3.01	0.09
FEMALE.						
Total	100.00	100.00	100.00	100.00	100.00	100.00
Surrendered	96.89	94.37	98.42	99.68	100.00	100.00
Not surrendered	3.11	5.63	1.58	0.32

a See footnote on page 114.

INMATES OF ALL INSTITUTIONS.

II.—SURRENDER, BY ELEMENTS OF THE POPULATION.

BOTH SEXES.

COLOR, NATIVITY, AND RACE.	NUMBERS.				PERCENTAGES. (a)	
	Total.	Sur-rendered.	Not sur-rendered.	Not stated.	Sur-rendered.	Not sur-rendered.
Total.....	73,882	35,027	502	38,293	98.42	1.58
White.....	70,124	33,122	526	36,476	98.43	1.57
Native born.....	61,678	29,197	383	32,098	98.71	1.29
Parents native.....	17,007	9,050	77	7,940	99.16	0.84
One parent foreign.....	4,045	1,714	31	2,300	98.22	1.78
Parents foreign.....	18,044	8,943	141	9,860	98.45	1.55
One or both parents unknown.....	21,022	9,490	134	11,998	98.01	1.99
Foreign born.....	5,010	2,177	101	2,732	95.57	4.43
Nativity unknown.....	3,436	1,748	42	1,046	97.05	2.85
Colored.....	3,758	1,905	36	1,817	98.15	1.85
Negroes.....	3,200	1,043	36	1,521	97.80	2.14
Chinese.....	32	25	7	100.00
Japanese.....	1	1
Indians.....	525	237	288	100.00
MALE.						
Total.....	39,808	20,120	78	19,610	99.61	0.39
White.....	37,709	19,008	52	18,649	99.73	0.27
Native born.....	33,205	16,825	51	16,329	99.70	0.30
Parents native.....	9,524	5,504	19	4,001	99.66	0.34
One parent foreign.....	2,207	1,076	3	1,128	99.72	0.28
Parents foreign.....	9,761	5,129	2	4,630	99.96	0.04
One or both parents unknown.....	11,713	5,110	27	6,570	99.48	0.52
Foreign born.....	2,661	1,319	1	1,341	99.92	0.08
Nativity unknown.....	1,843	864	979	100.00
Colored.....	2,099	1,112	26	961	97.72	2.28
Negroes.....	1,784	980	26	778	97.42	2.58
Chinese.....	24	20	4	100.00
Japanese.....	1	1
Indians.....	200	112	178	100.00
FEMALE.						
Total.....	34,074	14,907	484	18,683	96.80	3.14
White.....	32,415	14,114	474	17,827	96.75	3.25
Native born.....	28,473	12,372	332	15,760	97.39	2.61
Parents native.....	7,543	3,546	58	3,939	98.39	1.61
One parent foreign.....	1,838	638	28	1,172	95.80	4.20
Parents foreign.....	9,183	3,814	139	5,230	96.48	3.52
One or both parents unknown.....	9,909	4,374	107	5,428	97.61	2.39
Foreign born.....	2,349	858	100	1,391	89.56	10.44
Nativity unknown.....	1,593	884	42	667	95.40	4.54
Colored.....	1,659	793	10	856	98.75	1.25
Negroes.....	1,416	663	10	743	98.51	1.49
Chinese.....	8	5	3	100.00
Indians.....	235	125	110	100.00

a The percentages are calculated on the total basis of 35,589 reported, omitting 38,293 not stated.

The percentage of the nonsurrendered (especially of girls) appears to be greatest among the foreign whites.

FOUNDLINGS.

Of children under 16 years of age, the question as to whether they were foundlings was answered in 2,354 cases and unanswered in 71,528.

Of the 2,354 children whose condition in this respect has been ascertained, 1,943 are said to be foundlings and 297 are said not to be foundlings.

In the nature of things the fact that a child is a foundling is not always known, especially when it is admitted to the institution after passing the early stage of infancy. The only valuable result of this inquiry is to show that there are in the benevolent institutions 1,611 and in the almshouses 332 known foundlings, or 1,943 in all, of whom 1,059 are boys and 884 girls. The number of known foundlings is 2.63 per cent of the entire number of children.